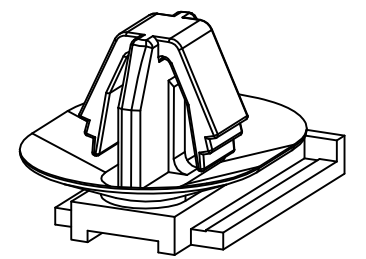
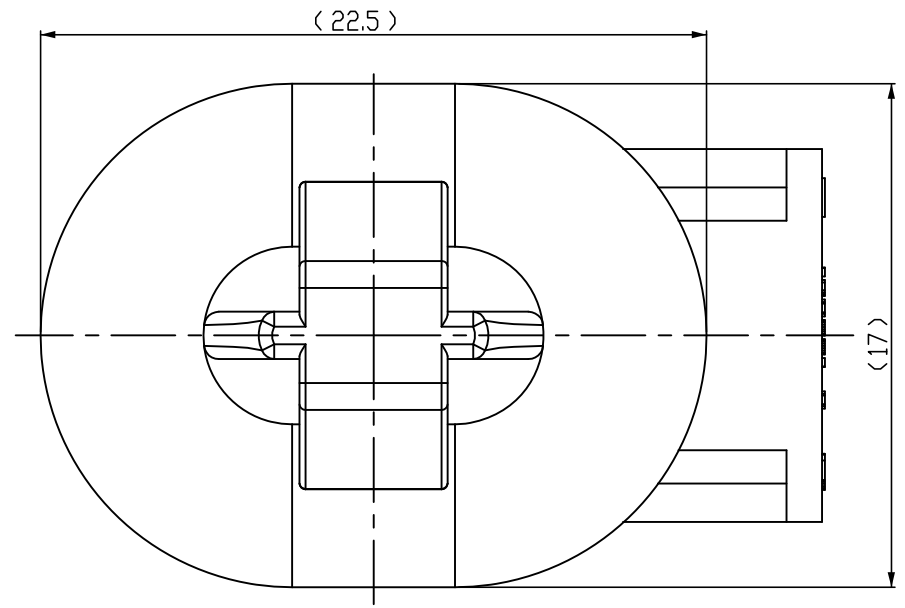


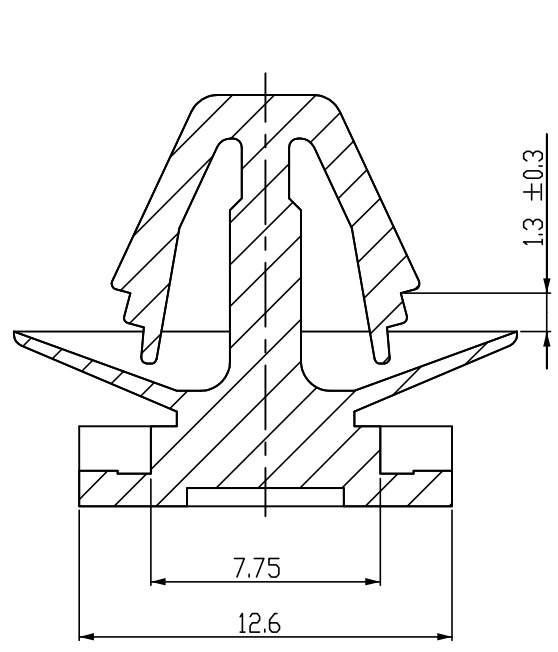
THIS DRAWING IS UNPUBLISHED. RELEASED FOR PUBLICATION 20

© COPYRIGHT 20 BY TYCO ELECTRONICS CORPORATION. ALL RIGHTS RESERVED.

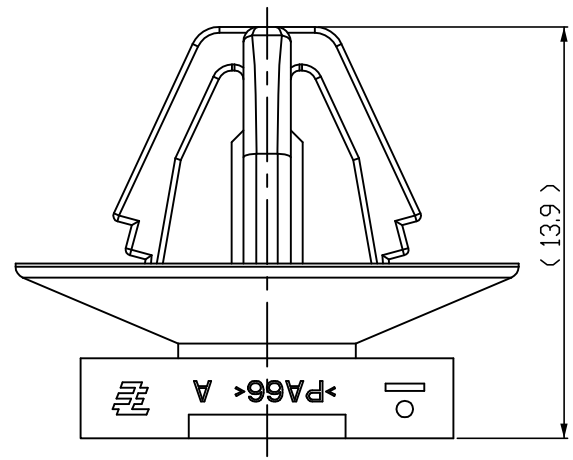
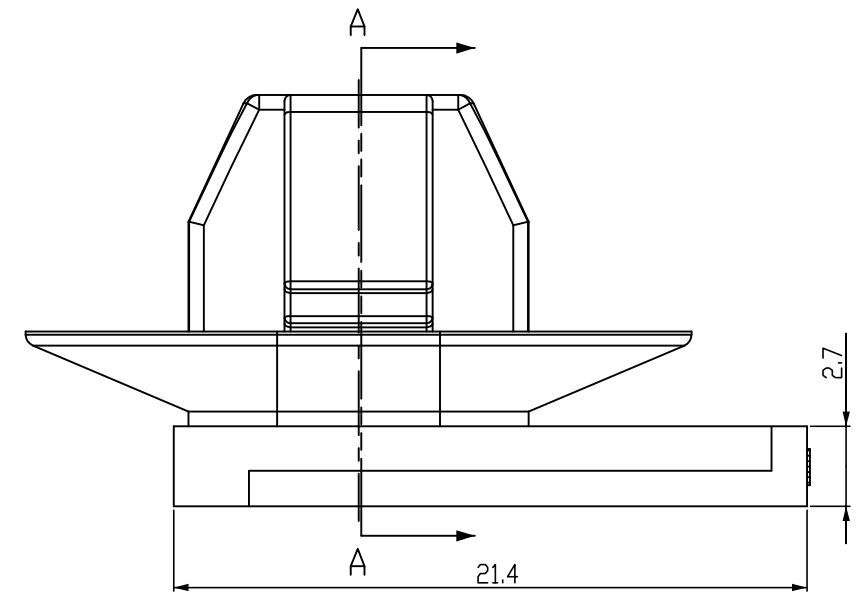
| LOC | DIST | REVISIONS | | | |
|-----|------|-------------|----------|-----|------|
| P | LTR | DESCRIPTION | DATE | DWN | APVD |
| DS | | RELEASED | 2.MAR.10 | YM | HG |



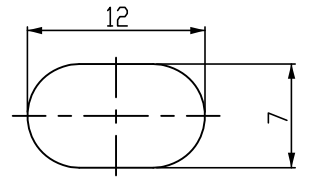
3D VIEW
SCALE 2:1



SECTION A-A



- NOTE
- GENERAL TOLERANCE: ± 0.2 , $\pm 3^\circ$
 - PANNEL HOLE SIZE (T: 0.7 - 2.0mm)



SCALE 2:1

| | | | |
|-------|----------|-------------|-----------|
| BLACK | PA66 | CLIP HSG | 2005362-2 |
| COLOR | MATERIAL | DESCRIPTION | P/N |

| | | | | | |
|---|---|--|--|---|--|
| <small>THIS DRAWING IS A CONTROLLED DOCUMENT FOR TYCO ELECTRONICS CORPORATION IT IS SUBJECT TO CHANGE AND THE CONTROLLING ENGINEERING ORGANIZATION SHOULD BE CONTACTED FOR THE LATEST REVISION.</small> | | DWN YM LEE CHK JW JUNG APVD HG CHO PRODUCT SPEC - APPLICATION SPEC - WEIGHT - CUSTOMER DRAWING | | Tyco Electronics Kyungsan, Korea NAME SLOT CLIP FOR EJ MK-II CONNECTOR SIZE A3 CAGE CODE 00779 DRAWING NO ©=2005362 RESTRICTED TO - SCALE 4:1 SHEET 1 OF 1 REV A | |
| DIMENSIONS: mm | TOLERANCES UNLESS OTHERWISE SPECIFIED: | | | | |
| | 0 PLC \pm 1 PLC \pm 2 PLC \pm 3 PLC \pm 4 PLC \pm ANGLES \pm | | | | |
| MATERIAL | SEE TABLE | | | | |