

4

3

2

1

THIS DRAWING IS UNPUBLISHED.

RELEASED FOR PUBLICATION

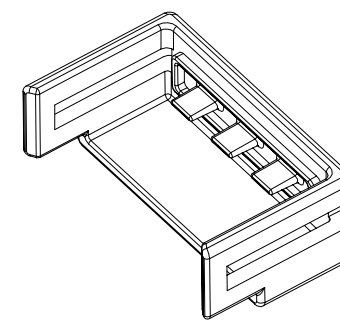
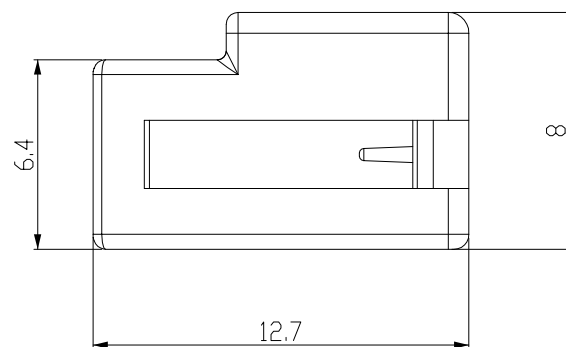
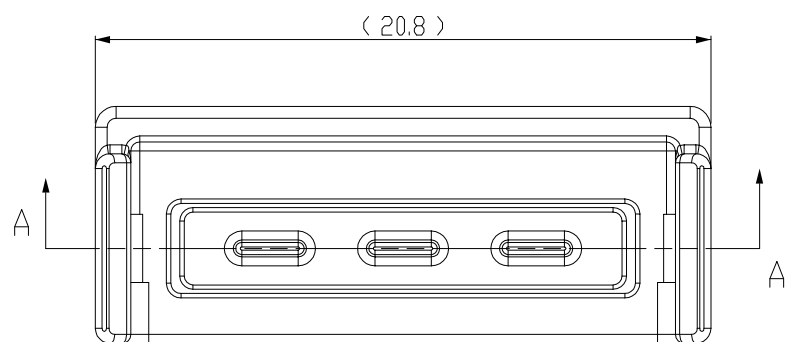
2015

© COPYRIGHT 2010 BY TE CONNECTIVITY

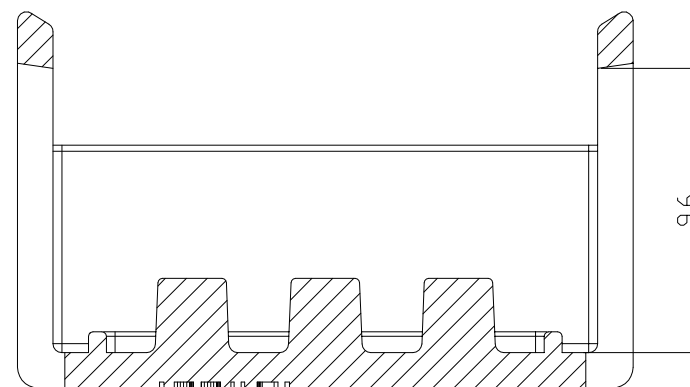
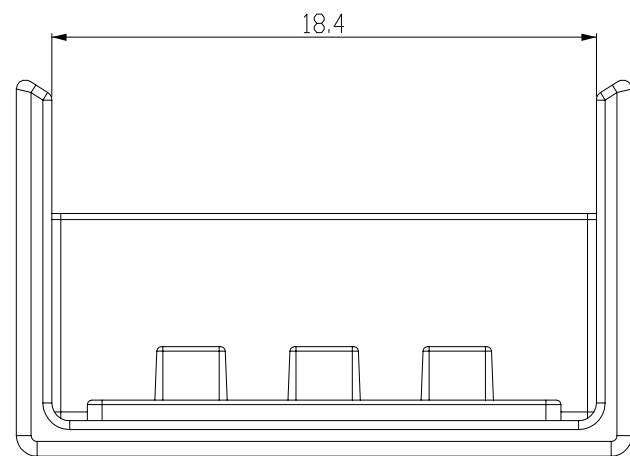
ALL RIGHTS RESERVED.

REVISIONS

P	LTR	DESCRIPTION	DATE	DWN	APVD
	B	REVISED (ECR-14-009134)	15.JUL.15	JM	HG



3D VIEW SCALE 2:1



SECTION A-A

NOTES

- 1. GENERAL TOLERANCE:  $\pm 0.3$ ,  $\pm 3^\circ$
- 2. APPLICABLE MATING PART NO: 2005496-X

BROWN	PA66	.025 14P COVER (BRN)	2005318-4
GRAY	PA66	.025 14P COVER (GRY)	2005318-3
BLACK	PA66	.025 14P COVER (BLK)	2005318-2
NATURAL	PA66	.025 14P COVER (NAT)	2005318-1
COLOR	MATERIAL	DESCRIPTION	P/N

THIS DRAWING IS A CONTROLLED DOCUMENT.

DIMENSIONS:	TOLERANCES UNLESS OTHERWISE SPECIFIED:
mm	
	0 PLC $\pm$
	1 PLC $\pm$
	2 PLC $\pm$
	3 PLC $\pm$
	4 PLC $\pm$
	ANGLES $\pm$
MATERIAL	FINISH
-	-
-	-

DWN	JM JEON
CHK	JW JUNG
APVD	HG CHO
PRODUCT SPEC	-
APPLICATION SPEC	-
WEIGHT	-
CUSTOMER DRAWING	

TE Connectivity			
NAME REAR HOLDER FOR .025 14P JOINT ASSY			
SIZE	CAGE CODE	DRAWING NO	RESTRICTED TO
A3	00779	C-2005318	-
SCALE 4:1		SHEET 1 OF 1	REV B