

4

3

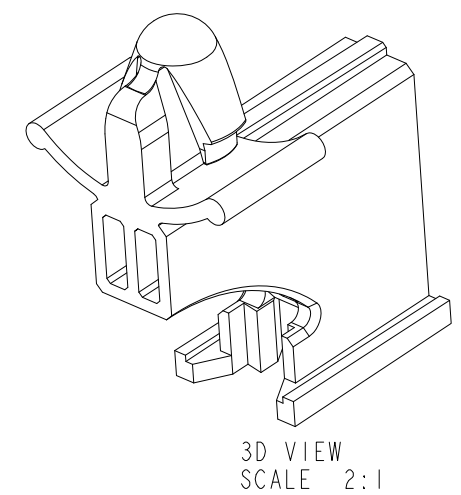
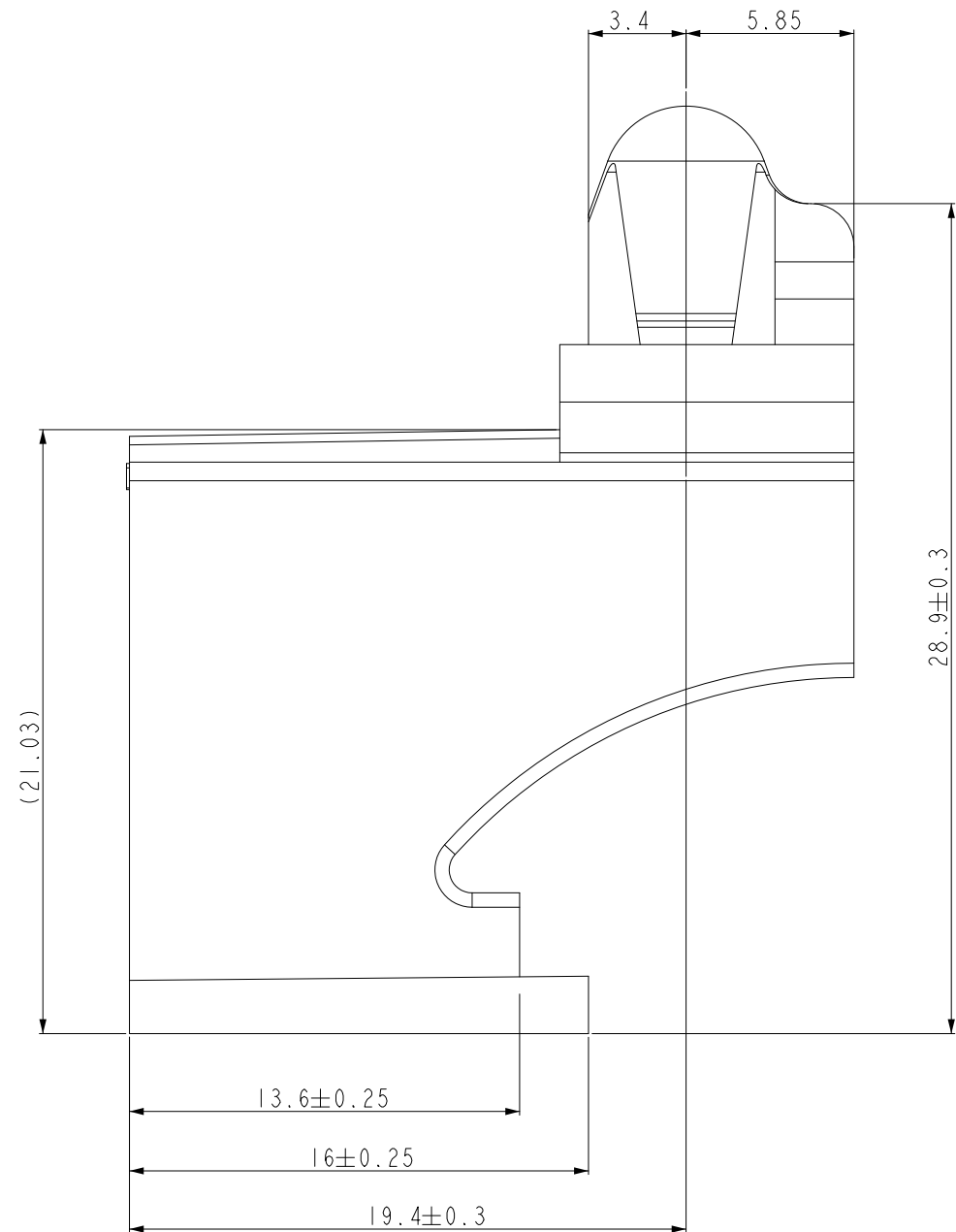
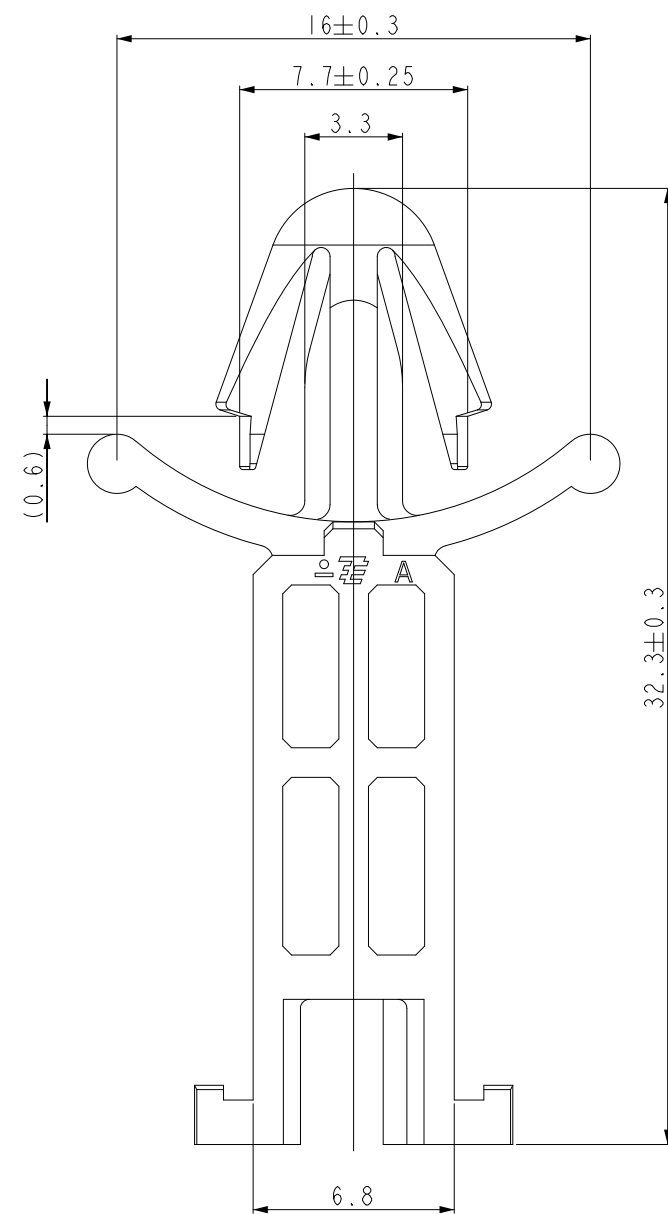
2

1

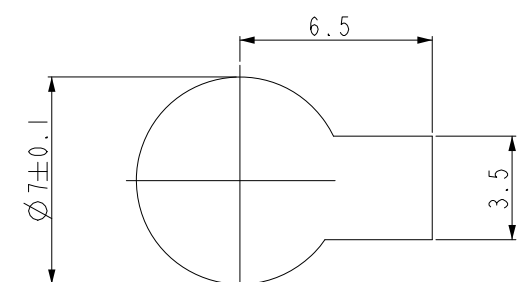
THIS DRAWING IS UNPUBLISHED. RELEASED FOR PUBLICATION 20

© COPYRIGHT 20 BY TYCO ELECTRONICS CORPORATION. ALL RIGHTS RESERVED.

LOC	DIST	REVISIONS			
P	LTR	DESCRIPTION	DATE	DWN	APVD
DS	-	RELEASED	02.SEP.'09	KT	HG



- NOTE
- GENERAL TOLERANCE: ± 0.2 , $\pm 3^\circ$
 - PANNEL HOLE SIZE (T=1.8)



BLACK	PA66	CLIP HSG	2005296-2
COLOR	MATERIAL	DESCRIPTION	P/N

THIS DRAWING IS A CONTROLLED DOCUMENT FOR TYCO ELECTRONICS CORPORATION
IT IS SUBJECT TO CHANGE AND THE CONTROLLING ENGINEERING ORGANIZATION
SHOULD BE CONTACTED FOR THE LATEST REVISION.

DIMENSIONS:	TOLERANCES UNLESS OTHERWISE SPECIFIED:
mm	0 PLC ±
	1 PLC ±
	2 PLC ±
	3 PLC ±
	4 PLC ±
MATERIAL	FINISH ±
SEE TABLE	

DWN	KT JUNG
CHK	JW JUNG
APVD	HG CHO
PRODUCT SPEC	-
APPLICATION SPEC	-
WEIGHT	-
CUSTOMER DRAWING	

Tyco Electronics Kyungsan, Korea		NAME CLIP HSG FOR MQS CONNECTOR (Ø7 KEY HOLE) FOR YF RH	
SIZE	CAGE CODE	DRAWING NO	RESTRICTED TO
A3	00779	©=2005296	-
SCALE 4:1		SHEET 1 OF 1	REV A