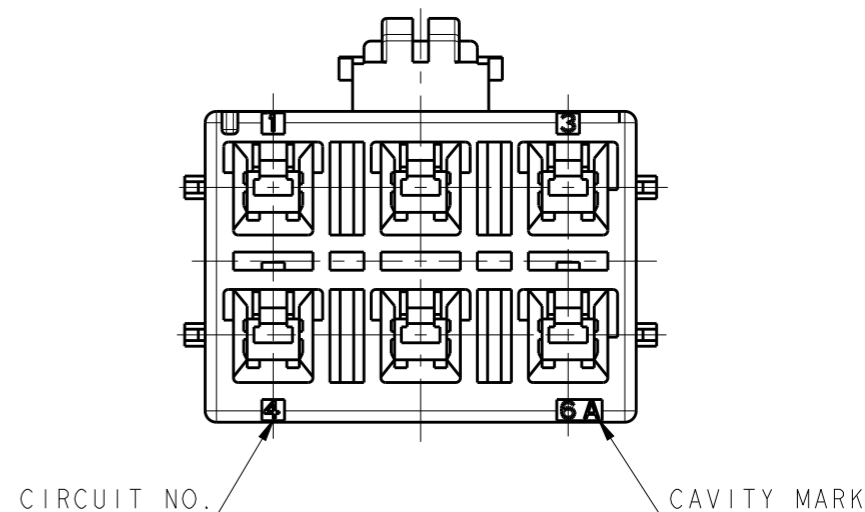
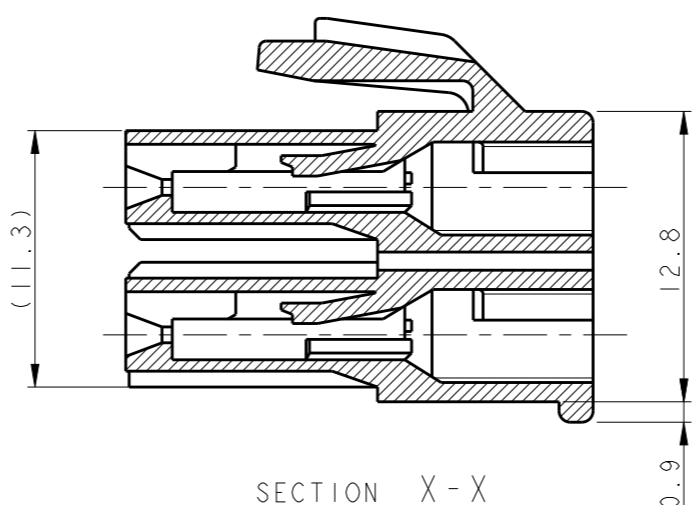
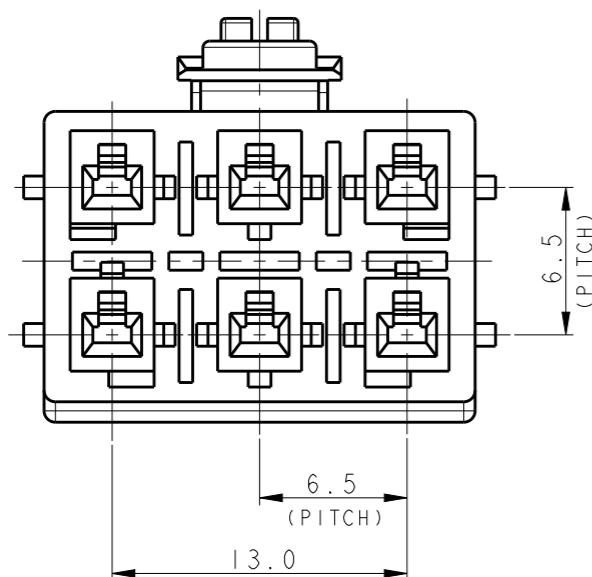
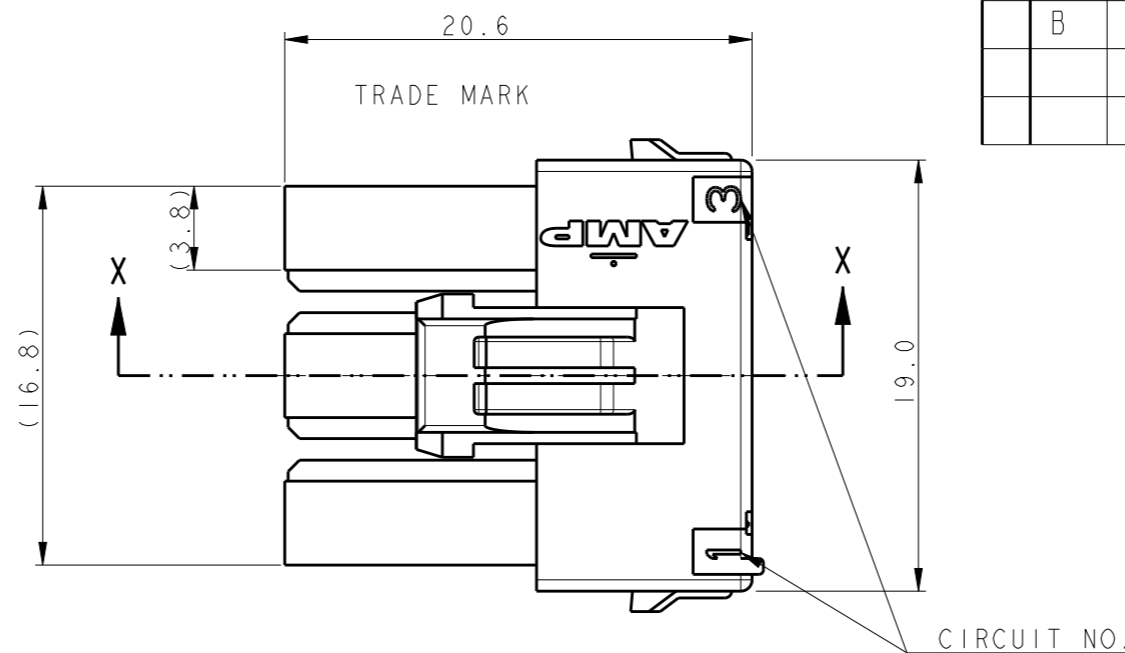


THIS DRAWING IS UNPUBLISHED. RELEASED FOR PUBLICATION 20  
 © COPYRIGHT 20 BY - ALL RIGHTS RESERVED.

REVISIONS					
P	LTR	DESCRIPTION	DATE	DWN	APVD
	A	RELEASED	01OCT'09	SC	JK
	B	REVISED PER ECR-19-009721	01JUL2019	M.G	D.Z



- NOTE;
- THIS HOUSING ACCEPTS RECEPTACLE TERMINAL:  
 -REC CONTACT: 177915-□ (AWG#16-#20)  
 : 177914-□ (AWG#22-#26)
  - MATING CONN. P/N  
 -HDR ASS'Y: 179849-□
  - APPLICABLE DOUBLE LOCK PLATE: 316062-1  
 \*IT SHOULD BE USED CERTAINLY WHEN CABLE ASS'Y
  - GENERAL TOLERANCES: ±0.3
  - MATERIAL: PA66 UL94V-0,  
 COMPLY WITH GLOW WIRE REQUIREMENT FOR PARTS OF  
 NON-METALLIC MATERIALSUPPORTING A CURRENT-CARRYING  
 CONNECTION DETAILED IN IEC 60335-1, SECTION 30(GWT)

2005252-6	BLUE
2005252-4	YELLOW
2005252-1	NATURAL
P/N	COLOR

THIS DRAWING IS A CONTROLLED DOCUMENT.		DWN SCKIM		TE Connectivity	
DIMENSIONS: mm		CHK BW KANG			
		TOLERANCES UNLESS OTHERWISE SPECIFIED:		NAME PDL 6P PLUG HSG 6.5MM D/R (GWT)	
		0 PLC ± 1 PLC ± 2 PLC ± 3 PLC ± 4 PLC ± ANGLES ±		APVD JK SONG	
MATERIAL 5		FINISH -		PRODUCT SPEC 108-5410	
				APPLICATION SPEC 114-5175	
				WEIGHT -	
		CUSTOMER DRAWING		SIZE A3	
				CAGE CODE 00779	
				DRAWING NO 2005252	
				RESTRICTED TO -	
				SCALE 3:1	
				SHEET 1 OF 1	
				REV B	