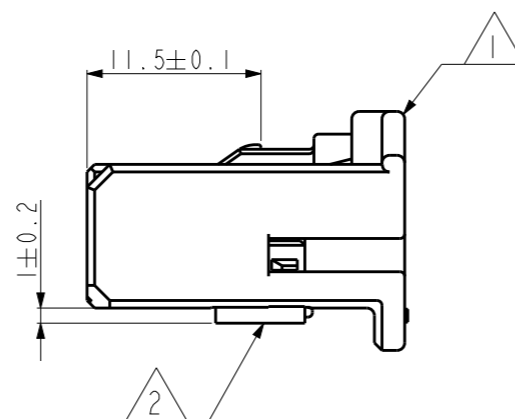
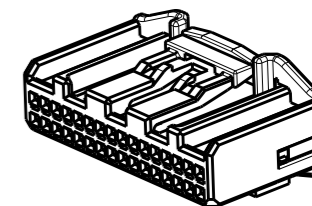
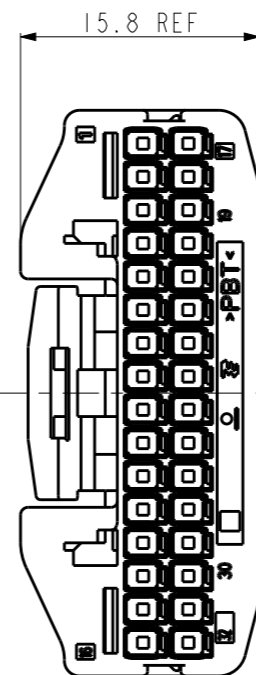
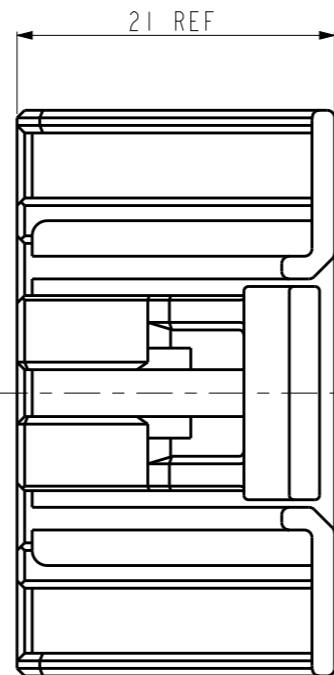
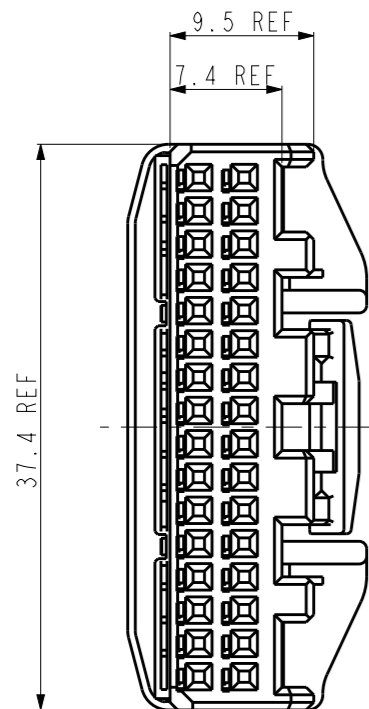


REVISIONS

P	LTR	DESCRIPTION	DATE	DWN	APVD
C		REVISED (ECR-16-004896)	05.APR.'16	JM	JW



NOTE

- 1. PART NUMBER OF CAP HOUSING TO BE MATED : 2005091
- 2. APPLIED TERMINAL : SEE TABLE 1
- 3. GENERAL TOLERANCE: ±0.3, ±3°

TABLE 1

P/NO	FINISH	WIRE RANGE
2005097-1	PRE-TIN	0.13~0.22
2005427-1	PRE-TIN	0.3~0.5

(AI)

DESCRIPTION	ASS'Y P/N
PLUG ASS'Y	2005088-1

NO.	COLOR	MATERIAL	DESCRIPTION	Q'TY
2	NATURAL	PBT	DBL HSG	1
1	NATURAL	PBT	PLUG HSG	1

THIS DRAWING IS A CONTROLLED DOCUMENT.

DIMENSIONS: mm		 TOLERANCES UNLESS OTHERWISE SPECIFIED: 0 PLC ± 1 PLC ± 2 PLC ± 3 PLC ± 4 PLC ± ANGLES ±
MATERIAL SEE TABLE		

DWN JM JEON
CHK -
APVD JW JUNG
PRODUCT SPEC -
APPLICATION SPEC -
WEIGHT -
CUSTOMER DRAWING

STE TE Connectivity

NAME
025 32P PLUG ASS'Y

SIZE A3	CAGE CODE 00779	DRAWING NO C-2005088	RESTRICTED TO -
SCALE 2:1		SHEET 1 OF 1	REV C