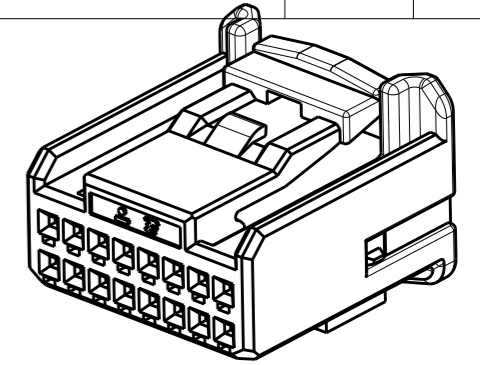
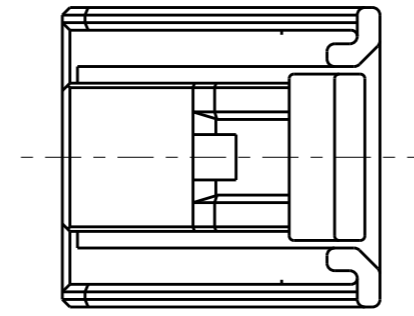
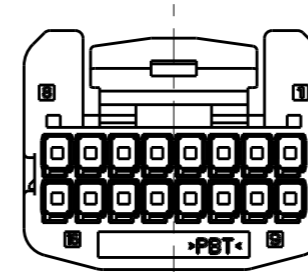
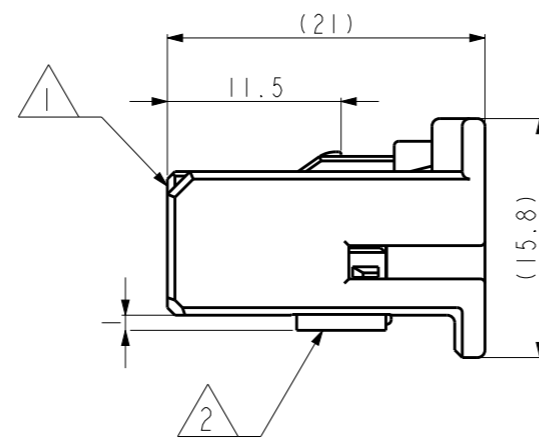
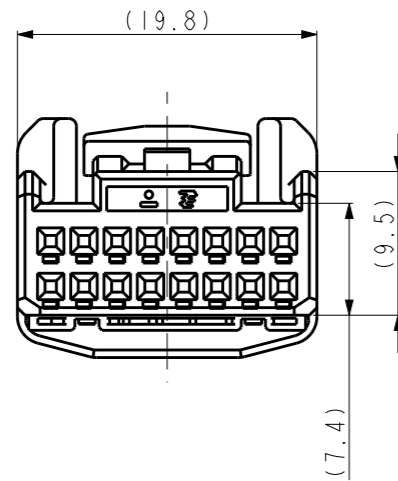


P	LTR	DESCRIPTION	DATE	DWN	APVD
	A4	REVISED(ECR-19-002479)	15.FEB.19	HH	YJ
	A3	REVISED(ECR-16-005213)	11.APR.16	HH	YJ



ISO VIEW
SCALE 2/1



DESCRIPTION	ASS'Y P/N
PLUG ASS'Y	2005076-8
PLUG ASS'Y	2005076-2
PLUG ASS'Y	2005076-1

NOTE

- PART NUMBER OF CAP HOUSING TO BE MATED : 2005079
- APPLIED TERMINAL : SEE TABLE I
- GENERAL TOLERANCE : ± 0.3 , $\pm 3^\circ$

NO.	DESCRIPTION	FINISH/COLOR	Q'TY
2	DBL HSG	NATURAL	I I I
1	PLUG HSG	BLUE	I
	PLUG HSG	BLACK	I
	PLUG HSG	NATURAL	I

TABLE I

P/NO	FINISH	WIRE RANGE
2005097-1	PRE-TIN	0.13 ~ 0.22
2005427-1	PRE-TIN	0.3 ~ 0.5

THIS DRAWING IS A CONTROLLED DOCUMENT.

DIMENSIONS:	TOLERANCES UNLESS OTHERWISE SPECIFIED:
mm	
	0 PLC \pm
	1 PLC \pm ± 0.3
	2 PLC \pm $\pm 3^\circ$
	3 PLC \pm
	4 PLC \pm
	ANGLES \pm
MATERIAL SEE TABLE	FINISH -

DWN SJ CHOI
CHK SJ CHOI
APVD JW JUNG
PRODUCT SPEC
APPLICATION SPEC
WEIGHT
CUSTOMER DRAWING

TE TE Connectivity

NAME
025 16P PLUG ASS'Y

SIZE	CAGE CODE	DRAWING NO	RESTRICTED TO
A3	00779	©-2005076	

SCALE 2:1 SHEET 1 OF 1 REV A4