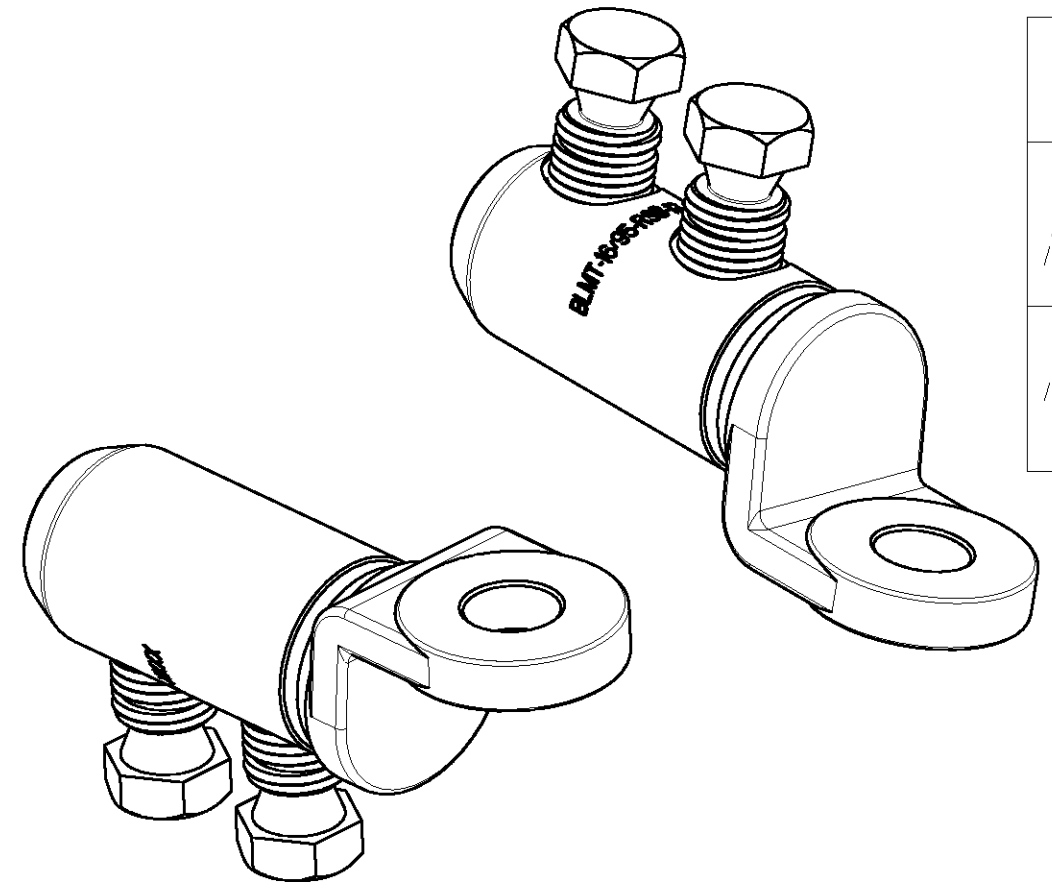
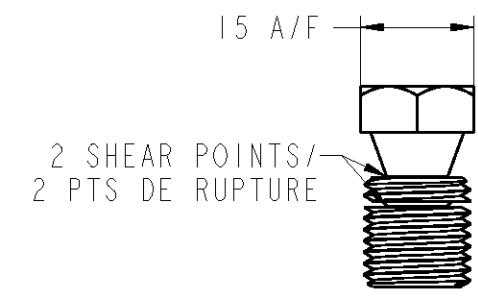
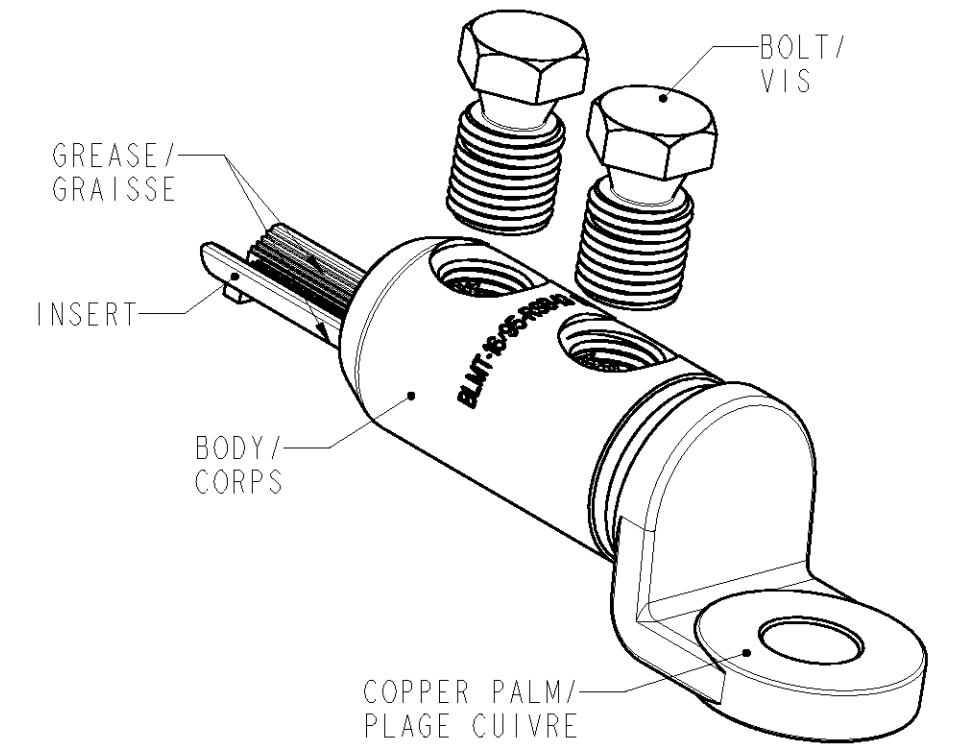
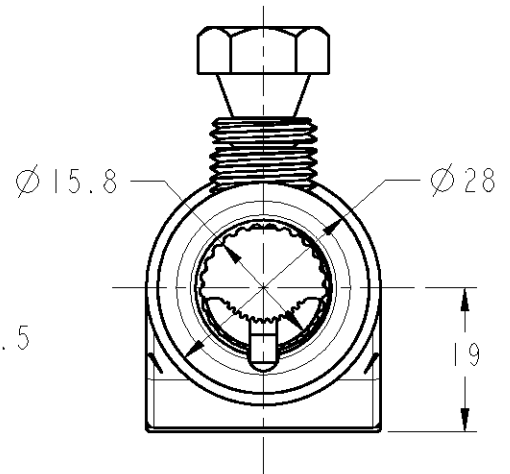
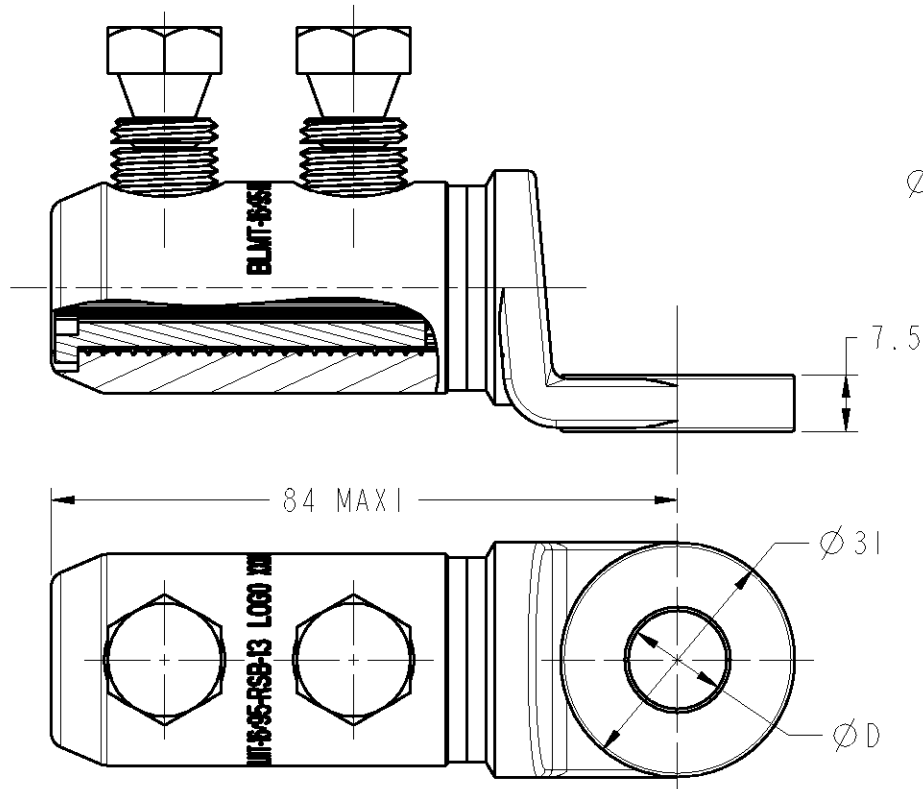


THIS DRAWING IS UNPUBLISHED. / DIFFUSION RESTREINTE
 RELEASED FOR PUBLICATION / LIBRE A LA DIFFUSION
 20
 © COPYRIGHT 20 BY TYCO ELECTRONICS CORPORATION. ALL RIGHTS RESERVED. / TOUS DROITS RESERVES

LOC	DIST	REVISIONS			
P	LTR REV	DESCRIPTION MODIFICATIONS	DATE	DWN DESS.	APVD APP.
FH	2	A	CREATION	06MAR2007	RB NA
		B	UPDATE PRODUCT	07FEB2008	BM AG
		C	UPDATE HEAD OF BOLTS	25MAR2008	BM NA

BLMT-16/95-RSB-13	2002447-1	13
DESCRIPTION	PART NUMBER	Ø D



	AL				CU	
	ROUND STRANDED / Rond câblé / RM	ROUND SOLID / Rond solide / RE	SECTOR STRANDED / Sectoral câblé / SM	SECTOR SOLID / Sectoral câblé / SE	ROUND STRANDED / Rond câblé / RM	SECTOR STRANDED / Sectoral câblé / SM
CONDUCTOR CROSS-SECTION / Section conducteur / Querschnittsbereich mm ²	25-95	-	25-95	-	16-95	16-95
CONDUCTOR DIAMETER / Diamètre conducteur / Leiterdurchmesser mm	Ø5.6-Ø12.9	-	-	-	Ø4.6-Ø12.9	-

TOLERANCES UNLESS OTHERWISE SPECIFIED: -
 TOLERANCES NON SPECIFIEES: -

THIS DRAWING IS A CONTROLLED DOCUMENT FOR TYCO ELECTRONICS CORPORATION IT IS SUBJECT TO CHANGE AND THE CONTROLLING ENGINEERING ORGANIZATION SHOULD BE CONTACTED FOR THE LATEST REVISION. CE PLAN EST UN DOCUMENT CONTROLE PAR TYCO ELECTRONICS CORPORATION IL EST SUSCEPTIBLE D'ETRE REVISE. POUR OBTENIR LA DERNIERE REVISION. CONTACTER LE SERVICE TECHNIQUE DE TYCO ELECTRONICS SIMEL SAS, 21220 BEVRET-CHAMBERTIN, FRANCE.		DWN/DESSINE 06MAR2007 R. BUTHIOT CHK/VERIFIE A. BAZEROLLE APVD/APPROUVE N. ALMEIDA PRODUCT SPEC SPEC. PRODUIT - APPLICATION SPEC SPEC. APPLICATION IEC 61238-1 WEIGHT MASSE APPROX. 201 g	
DIMENSIONS: mm 	TOLERANCES UNLESS OTHERWISE SPECIFIED: (SUIV NB DE DECIMALES): 0 PLC/DEC: ±0 1 PLC/DEC: ±0 2 PLC/DEC: ±0 3 PLC/DEC: ±0 4 PLC/DEC: ±0 ANGLES ±	NAME TITRE BLMT-16/95-RSB-13 SIZE FORMAT A3 CAGE CODE - DRAWING NO No PLAN C-2002447 RESTRICTED TO RESERVE A -	CUSTOMER DRAWING / PLAN CLIENT UNIQUEMENT POUR REFERENCE SCALE ECHELLE : SHEET FEUILLE OF DE REV C
MATERIAL MATIERE AL ALLOY/COPPER	FINISH FINITION TINNED		