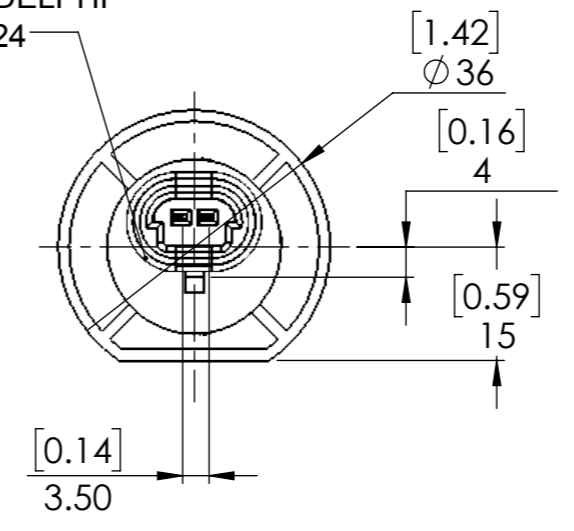
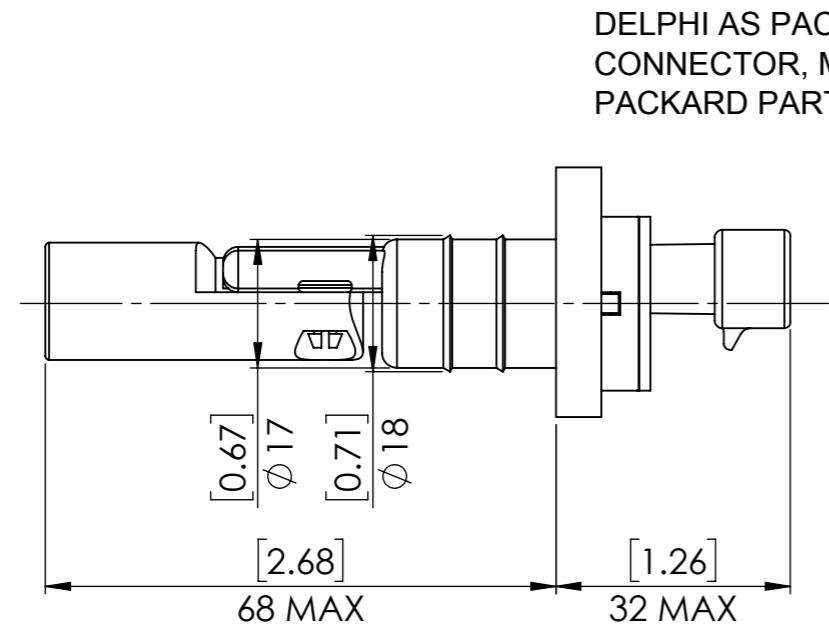
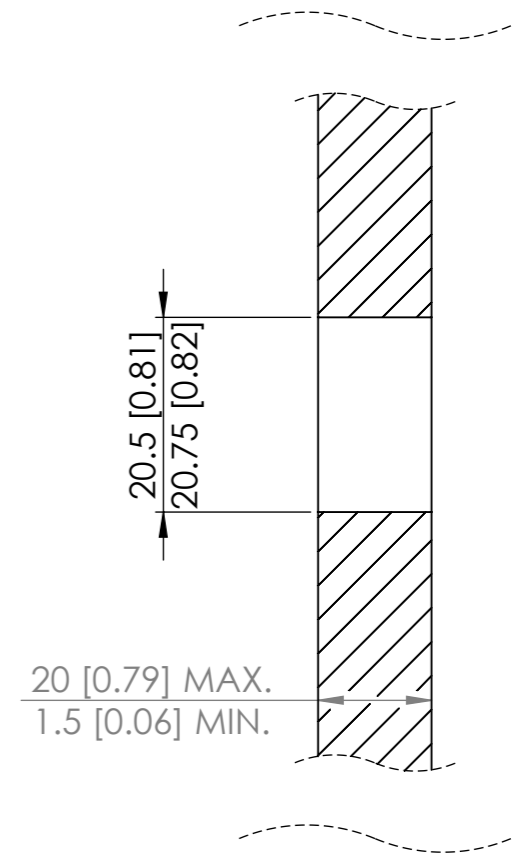


NOTE:

- ASSEMBLY IS A PUSH FIT INTO TANK WALL USING SEALING GROMMET.
- MATERIAL:
HOUSING - ACETAL COPOLYMER / NYLON 6.6
FLOAT - POLYPROPYLENE
GROMMET - EPDM



TANK OPENING DETAILS



THIS INFORMATION IS CONFIDENTIAL AND PROPRIETARY TO TYCO ELECTRONICS CORPORATION AND ITS WORLDWIDE SUBSIDIARIES AND AFFILIATES (TE). IT MAY NOT BE DISCLOSED TO ANYONE, OTHER THAN TE PERSONNEL, WITHOUT AUTHORIZATION FROM TE (www.TE.com).

DIMENSIONS: mm	TOLERANCES UNLESS OTHERWISE SPECIFIED:
	0 PLC -
	1 PLC ±0.5
	2 PLC ±0.13
	3 PLC ±0.013
	4 PLC ±0.0001
ANGLES ±	
SURFACE TEXTURE	

DWN L Hernandez	MATERIAL	WEIGHT kg
CHK R Cooper		
APVD J Pendleton		
NAME LCS-03 HORIZONTAL LEVEL SWITCH PUSH FIT		
SCALE 1:1	SIZE A3	DRAWING NO 20017663-00
SHEET 1 OF 1		REV A