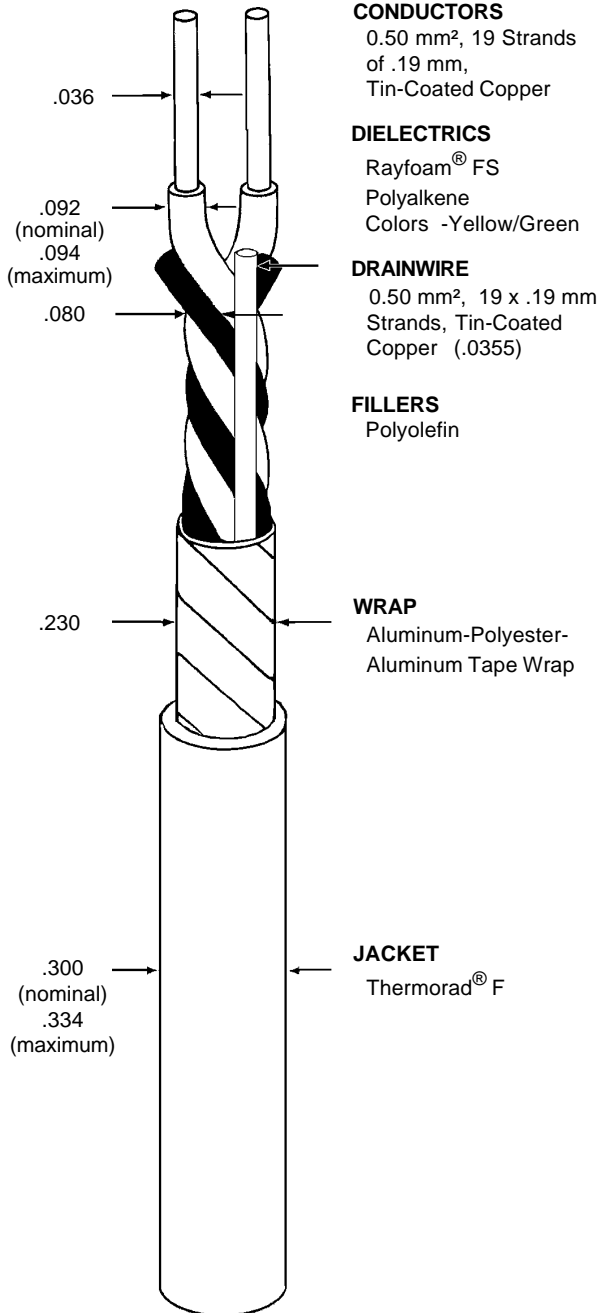


THIS SPECIFICATION SHEET FORMS A PART OF THE LATEST ISSUE OF RAYCHEM SPECIFICATION 1200.

**CONSTRUCTION DETAILS**

**ELECTRICAL CHARACTERISTICS**

DIMENSIONS ARE NOMINAL VALUES IN INCHES UNLESS OTHERWISE DESIGNATED.



CHARACTERISTIC IMPEDANCE	120 ± 12 ohms, Method D at 1 MHz (with shield grounded)
CAPACITANCE - MUTUAL	10.5 pF/ft. (nominal)
VELOCITY OF PROPAGATION	75% (nominal)
SURFACE TRANSFER IMPEDANCE	225 milliohms/meter (maximum) at 0.1 to 1 MHz (Per MIL-C-85485)

**ADDITIONAL REQUIREMENTS**

**ELECTRICAL**

CONDUCTOR RESISTANCE	10.7 ohms/1000 ft. (nominal)
INSULATION RESISTANCE	10,000 megohms (minimum) for 1000 ft.
JACKET FLAWS	
SPARK TEST	1.0 kV (rms)
IMPULSE TEST	6.0 kV (peak)
VOLTAGE WITHSTAND (DIELECTRIC)	1000 volts (rms) (minimum)

**ENVIRONMENTAL**

FLAMMABILITY	Method C
HEATSHOCK	225°C
LOW TEMPERATURE-COLDBEND	-55°C/9.00 inch mandrel
VOLTAGE WITHSTAND (POST ENVIRONMENTAL)	1000 volts (rms), 60 Hz, 1 minute

**PHYSICAL**

DIELECTRIC ELONGATION	100% (minimum)
TENSILE STRENGTH	1000 lbf/in <sup>2</sup> (minimum)
JACKET ELONGATION	200% (minimum)
TENSILE STRENGTH	2000 lbf/in <sup>2</sup> (minimum)
CONCENTRICITY	70% (minimum)
JACKET THICKNESS	.030 inch ± .005 inch
WRAP	.002 inch thick (nominal)

Jacket Mark: Mark outer jacket at 12 inch (nominal) intervals in white ink as follows: RAYCHEM J1939/11 0.5mm2

WEIGHT	38.8 lbs/1000 ft. (nominal)
--------	-----------------------------

Outer jacket will be Black (designated by a -0 appended to the part number, e.g., 2021E0301-0) unless otherwise specified.

Component Stripe Option: Red striped components will be designated with a slash separating base and stripe colors as follows: 2021E0301-42/52-0

Designate outer jacket color with a dash number in accordance with MIL-STD-681. Other codes and suffixes may be added to the part number, as necessary, to capture any additional requirements imposed by the purchase order.

*Users should evaluate the suitability of this product for their application. Specifications are subject to change without notice.*

*Tyco Electronics also reserves the right to make changes in materials or processing, which do not affect compliance with any specification, without notification to Buyer.*