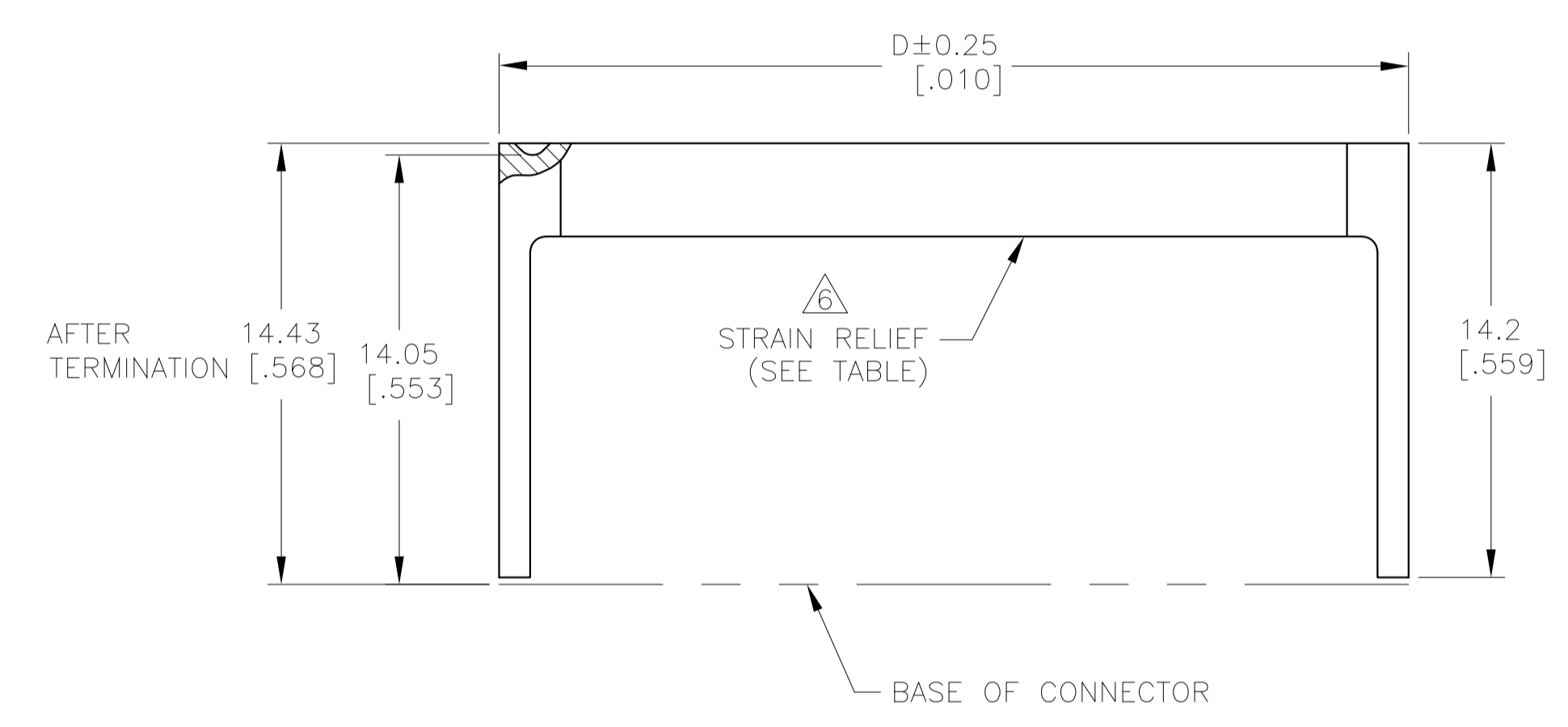


- 20 POSITION CONNECTOR ASSEMBLY SHOWN.
- MOLDED PARTS: THERMOPLASTIC, UL94V-0 RATED, COLOR BLUE. CONTACTS: BERYLLIUM COPPER.
- CONTACTS: 0.00076[.00030] MIN GOLD ON MATING AREA, 0.00254-0.00508[.00100-.000200] TIN ON TERMINATION END, ALL OVER 0.00127[.000050] MIN NICKEL ON ENTIRE CONTACT.
- POLARIZER FEATURE DOES NOT EXIST ON POSITION #1 END FOR 10 POSITION ASSEMBLY.
- FOR TERMINATION OF 28 OR 30 AWG STRANDED PVC INSULATED FLAT RIBBON CABLE.
- STRAIN RELIEF PACKAGED SEPARATELY AND SHIPPED WITH ASSEMBLY.
- DATE CODE STAMPED ON THIS SIDE OF CONNECTOR. 6 POSITION CONNECTORS EXCLUDED.
- OBSOLETE PARTS: OBSOLETE CIS STREAMLINING PER D.RENAUD/D.SINISI
- COMPANY LOGO IN APPROXIMATE AREA SHOWN.



	OBSOLETE	YES	YES	67.87[2.672]	67.97[2.676]	62.23[2.450]	60.96[2.400]	50	609-5041CELF	8-6437021-5
		NO	YES	67.87[2.672]	67.97[2.676]	62.23[2.450]	60.96[2.400]	50	609-5030CELF	7-6437021-6
⚠	OBSOLETE	NO	NO	67.87[2.672]	67.97[2.676]	62.23[2.450]	60.96[2.400]	50	609-5000CELF	6-6437021-7
		YES	YES	55.17[2.172]	55.27[2.176]	49.53[1.950]	48.26[1.900]	40	609-4041CELF	5-6437022-1
		NO	YES	55.17[2.172]	55.27[2.176]	49.53[1.950]	48.26[1.900]	40	609-4030CELF	5-6437021-1
		YES	YES	47.55[1.872]	47.65[1.876]	41.91[1.650]	40.64[1.600]	34	609-3441CELF	3-6437021-6
⚠	OBSOLETE	NO	NO	47.55[1.872]	47.65[1.876]	41.91[1.650]	40.64[1.600]	34	609-3400CELF	1-6437021-8
⚠	OBSOLETE	YES	YES	37.39[1.472]	37.49[1.476]	31.75[1.250]	30.48[1.200]	26	609-2641CELF	1-6437021-5
		NO	YES	37.39[1.472]	37.49[1.476]	31.75[1.250]	30.48[1.200]	26	609-2630CELF	6437021-7
		NO	YES	29.77[1.172]	29.87[1.176]	24.13[.950]	22.86[.900]	20	609-2030CELF	8-6437020-1
⚠	OBSOLETE	NO	NO	29.77[1.172]	29.87[1.176]	24.13[.950]	22.86[.900]	20	609-2000CELF	7-6437020-4
		NO	YES	24.69[.972]	24.79[.976]	19.05[.750]	17.78[.700]	16	609-1630CELF	6-6437020-2
		YES	YES	17.07[.672]	17.17[.676]	11.43[.450]	10.16[.400]	10	609-1041CELF	4-6437020-0
		NO	YES	17.07[.672]	17.17[.676]	11.43[.450]	10.16[.400]	10	609-1030CELF	3-6437020-2
		YES	NO	17.07[.672]	17.17[.676]	11.43[.450]	10.16[.400]	10	609-1001CELF	2-6437020-6
	SUPERSEDED	NO	NO	17.07[.672]	17.17[.676]	11.43[.450]	10.16[.400]	10	609-1000CELF	2-6437020-3

ELECTRICAL PROPERTIES	
CURRENT RATING	1 AMP
INSULATION RESISTANCE	>1 x 10 ⁹ OHMS @ 500 VDC
DWV	>500 VRMS AT SEA LEVEL
ENVIRONMENTAL PROPERTIES	
TEMPERATURE RATING	-55°C TO 125°C

THIS DRAWING IS A CONTROLLED DOCUMENT.

DIMENSIONS: INCHES	TOLERANCES UNLESS OTHERWISE SPECIFIED:	DIN J. GERACE 17SEP04	APPROVED M. WALSLEY 17SEP04
0 PLC ± -	1 PLC ± -	CIRK C. ROHDE	NAME
2 PLC ± -	3 PLC ± 0.13[.005]	PRODUCT SPEC	CONNECTOR ASSEMBLY, BLIND ENTRY, FEMALE SOCKET TRANSITION
4 PLC ± -	ANGLES ± -	APPLICATION SPEC	SIZE CASE CODE DRAWING NO RESTRICTED TO
MATERIAL	FINISH	WEIGHT	A1 00779C=2-6437020-3
		CUSTOMER DRAWING	SCALE 10:1 SHEET 1 OF 1 REV D