

4

3

2

1

THIS DRAWING IS UNPUBLISHED.

RELEASED FOR PUBLICATION

-,-

REVISIONS

© COPYRIGHT - TE Connectivity Ltd.

ALL RIGHTS RESERVED.

P	LTR	DESCRIPTION	DATE	DWN	APVD
	A1	NEW RELEASE	15JAN2018	GCM	MSZ

Dimensions: 19.75 [0.778], 15.75 [0.620], 11.43 [0.450], 6.35 [0.250], 8.89 [0.350]

Pin locations: P9, P7, P3, P1, P10, P8, P4, P2

Dimensions: 17.71 [0.697], 15.70 [0.618], 1.27 [0.050], 2.54 [0.100]

Jack locations: J8, J1

Dimensions: 21.50 [0.846], 1.90 [0.075]±0.2, 13.80 [0.543], 1.90 [0.075]±0.3, 10.80 [0.425], 3.05 [0.120], 6.35 [0.250], 8.89 [0.350]

△ CONNECTOR MATERIAL:
 HOUSING: LCP BLACK UL94 V-0
 INSERT: LCP BLACK UL94 V-0
 SHIELD: BRASS
 SHIELD PLATING: NICKEL
 CONTACT: COPPER ALLOY
 CONTACT PLATING: SELECTIVE GOLD, MIN. 0.76 μm (30 μin) IN CONTACT AREA
 OVER MIN. 1.27 μm (50 μin) NICKEL
 SOLDER PIN PLATING: 3.05 μm (120 μin) TIN OVER 1.02 μm (40 μin) NICKEL
 OVER ALL
 SHIELDING PIN PLATING: NICKEL

2 PIN NOT ELECTRICALLY CONNECTED MAYBE OMITTED SEE ELECTRICAL CIRCUIT DIAGRAM FOR OMITTED PINS

3 RJ45 CAVITIES CONFORM TO FCC RULES AND REGULATION PART 68.

4 THE PART IS RECOMMENDED FOR REFLOW SOLDERING PROCESS PEAK SOLDERING:
 TEMPERATURE MAX. 260° C, MAX. 10 s

5 OPERATING TEMPERATURE T=-40° C TO +85° C.

6 STORAGE TEMPERATURE T=-40° C TO +85° C.

△ UNLESS OTHERWISE SPECIFIED, SEE TABLE FOR ALL DIMENSIONS TOLERANCES

8 JACK CONFIGURATION: 1 x 1
 TAB DIRECTION: UP

9 PACKAGING: REEL (T+R) ACCORDING TO PACKAGING SPECIFICATION 107-18116

1:1

△7

TABLE OF TOLERANCE (mm)	
RANGE	TOLERANCE
0-10	±0.15
>10-40	±0.25
>40-70	±0.30
>70	±0.40

THIS DRAWING IS A CONTROLLED DOCUMENT.		DWN 15JAN2018 GANESH C M	TE Connectivity		
		CHK 15JAN2018 FRANZ MUELLER			
		APVD 15JAN2018 MARTIN SZELAG	NAME		
DIMENSIONS: mm		PRODUCT SPEC 108-94552	RJ45 JACK INT.MAG. 1Gb 1x1		
TOLERANCES UNLESS OTHERWISE SPECIFIED: 0 PLC ± - 1 PLC ± - 2 PLC ± - 3 PLC ± - 4 PLC ± - ANGLES ± -		APPLICATION SPEC 114-94447	SIZE A3	CAGE CODE 00779	DRAWING NO C=2-2301994-5
MATERIAL △1		FINISH △1	RESTRICTED TO -		
		CUSTOMER DRAWING	SCALE 3:1	SHEET 1 of 3	REV A1

1470-19 (1/15)

THIS DRAWING IS UNPUBLISHED.

RELEASED FOR PUBLICATION

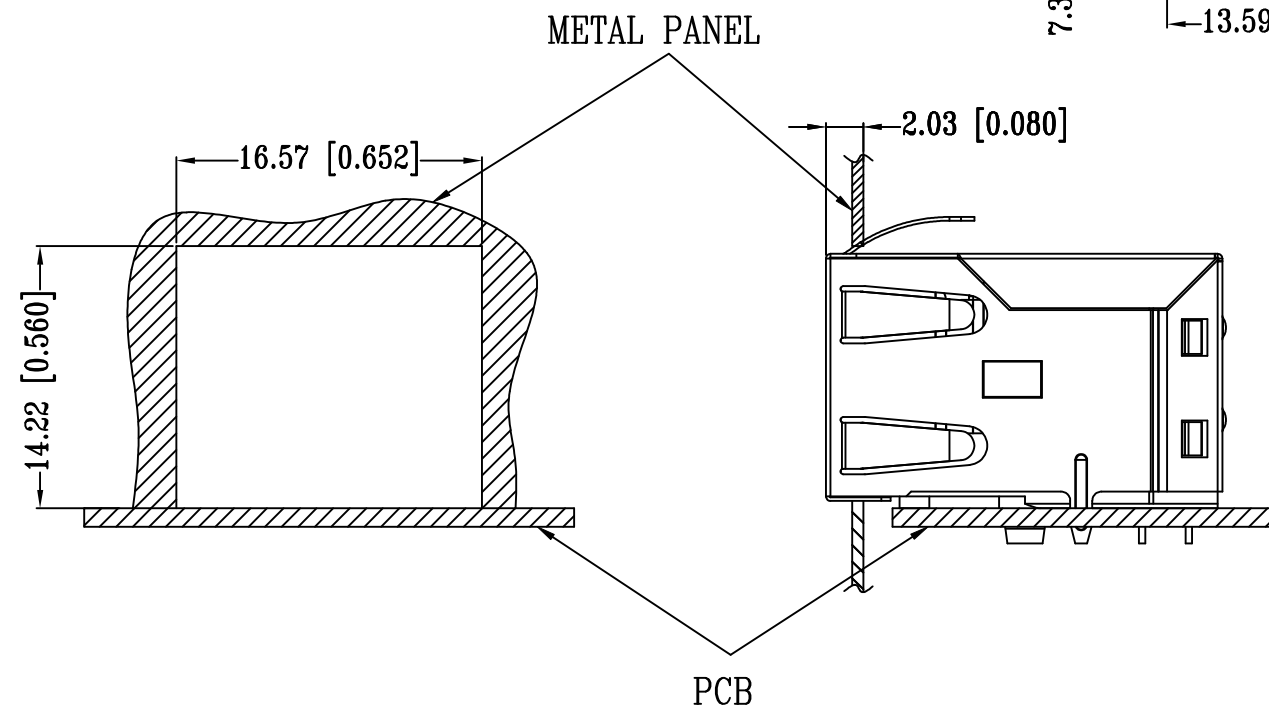
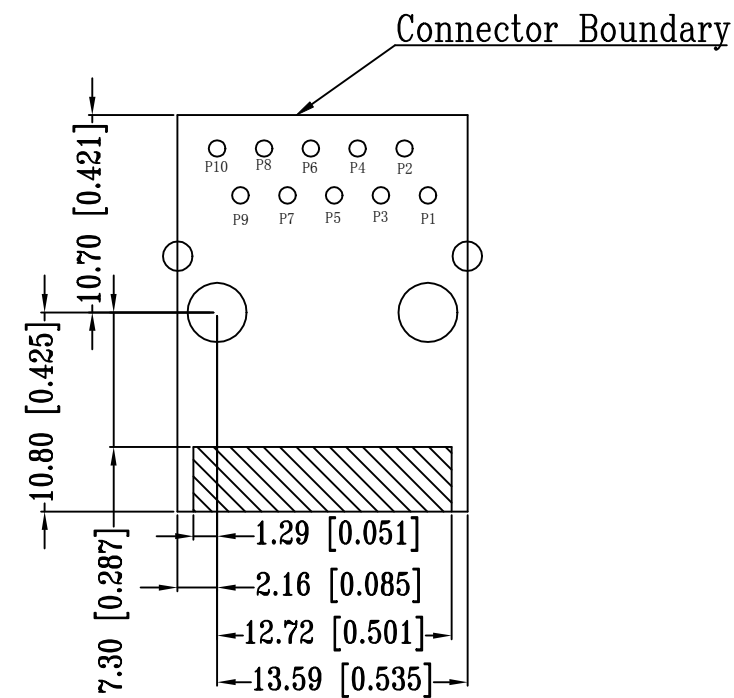
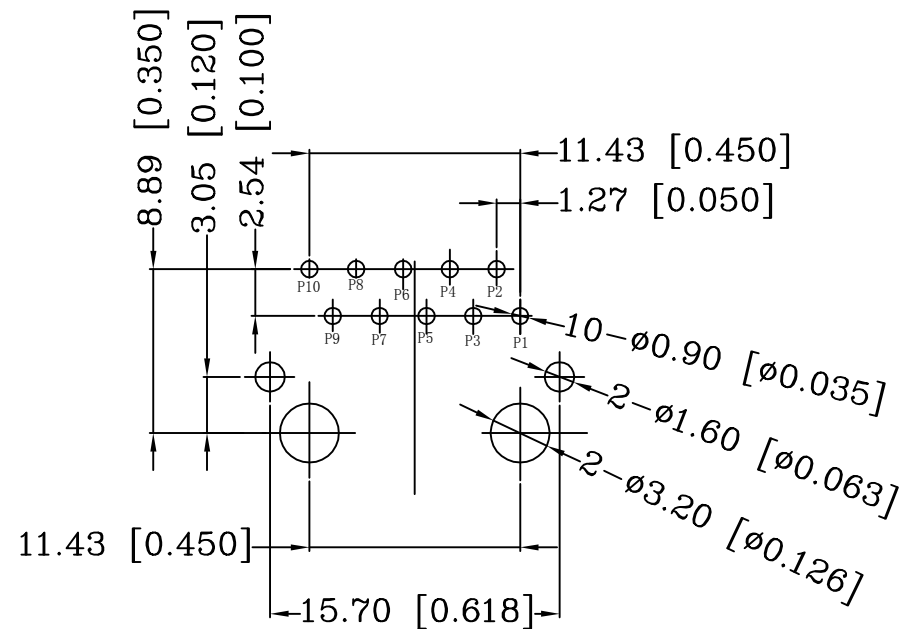
© COPYRIGHT - TE Connectivity Ltd.

ALL RIGHTS RESERVED.


REVISIONS

P	LTR	DESCRIPTION	DATE	DWN	APVD
-	-	SEE SHEET 1	-	-	-

SUGGESTED PCB LAYOUT



UNIT: mm
TOLERANCES: ± 0.10

THIS DRAWING IS A CONTROLLED DOCUMENT.		DWN GANESH C M 15JAN2018	 TE Connectivity	
		CHK FRANZ MUELLER 15JAN2018		
DIMENSIONS: mm		APVD MARTIN SZELAG 15JAN2018	NAME RJ45 JACK INT.MAG. 1Gb 1x1	
TOLERANCES UNLESS OTHERWISE SPECIFIED:		PRODUCT SPEC 108-94552	RESTRICTED TO	
0 PLC $\pm -$ 1 PLC $\pm -$ 2 PLC $\pm -$ 3 PLC $\pm -$ 4 PLC $\pm -$ ANGLES $\pm -$		APPLICATION SPEC 114-94447	SIZE A3	CAGE CODE 00779
MATERIAL 1		FINISH 1	DRAWING NO C=2-2301994-5	DRAWING NO C=2-2301994-5
		CUSTOMER DRAWING	SCALE 3:1	SHEET 2 of 3
			REV A1	

THIS DRAWING IS UNPUBLISHED.

RELEASED FOR PUBLICATION

-, - .

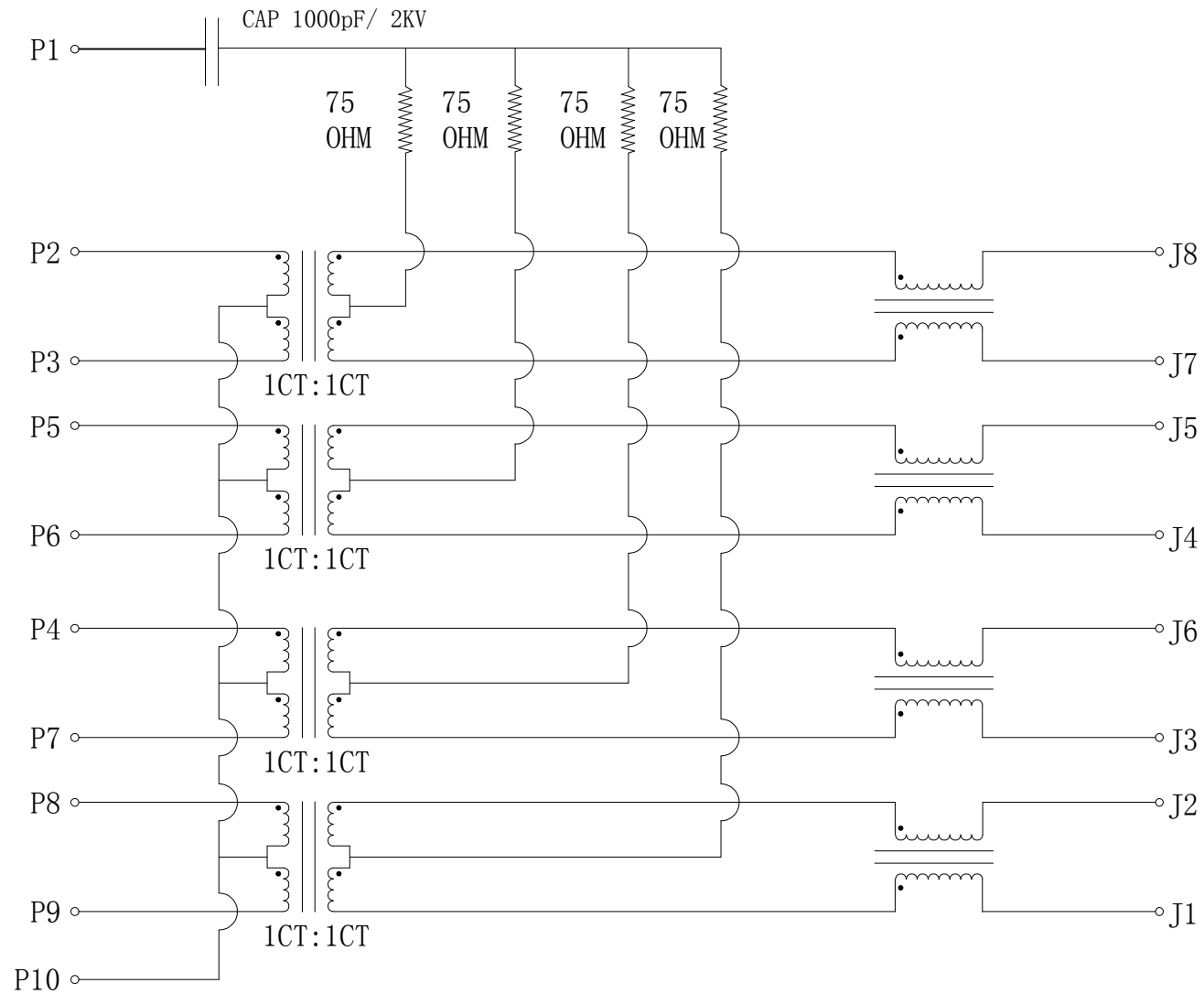
REVISIONS

© COPYRIGHT - TE Connectivity Ltd.

ALL RIGHTS RESERVED.

P	LTR	DESCRIPTION	DATE	DWN	APVD
-	-	SEE SHEET 1	-	-	-

ELECTRICAL CIRCUIT DIAGRAM



- 1.0 Turn Ratio @100KHz: (P9~P8):(J1~J2) = 1:1±2%
- (P7~P4):(J3~J6) = 1:1±2%
- (P6~P5):(J4~J5) = 1:1±2%
- (P3~P2):(J7~J8) = 1:1±2%
- 2.0 Primary Inductance: 350uH MIN @100KHZ,0.1V 8mA DC BIAS
- 3.0 DC Resistance: 1.2 OHMS MAX
- 4.0 Insertion Loss: 1-100MHz -1.0dB MAX
- 100-125MHz -1.2dB MAX
- 5.0 Return Loss: 1-40MHz -16dB MIN
- 40-60MHz -12dB MIN
- 60-80MHz -10dB MIN
- 80-100MHz -8dB MIN
- 6.0 CROSS TALK: 1-100MHz -30dB MIN
- 7.0 COMMON TO COMMON MODE ATTENUATION: 1-100MHz -30dB MIN
- 8.0 Isolation: PHY Side to Line Side: 2250VDC



CONTROL CODE
 DATE CODE
 "0213"
 YY-YEAR
 WW-WEEK

THIS DRAWING IS A CONTROLLED DOCUMENT.		DWN 15JAN2018 GANESH C M	TE Connectivity	
DIMENSIONS: mm		CHK 15JAN2018 FRANZ MUELLER		
TOLERANCES UNLESS OTHERWISE SPECIFIED:		APVD 15JAN2018 MARTIN SZELAG	NAME	
0 PLC ± -		PRODUCT SPEC	RJ45 JACK INT.MAG. 1Gb 1x1	
1 PLC ± -		108-94552	SIZE	
2 PLC ± -		APPLICATION SPEC	CAGE CODE	DRAWING NO
3 PLC ± -		114-94447	A3	00779
4 PLC ± -		WEIGHT	C=2-2301994-5	
ANGLES ± -		CUSTOMER DRAWING	RESTRICTED TO	
MATERIAL 1		SCALE 3:1		SHEET 3 of 3
FINISH 1		REV A1		