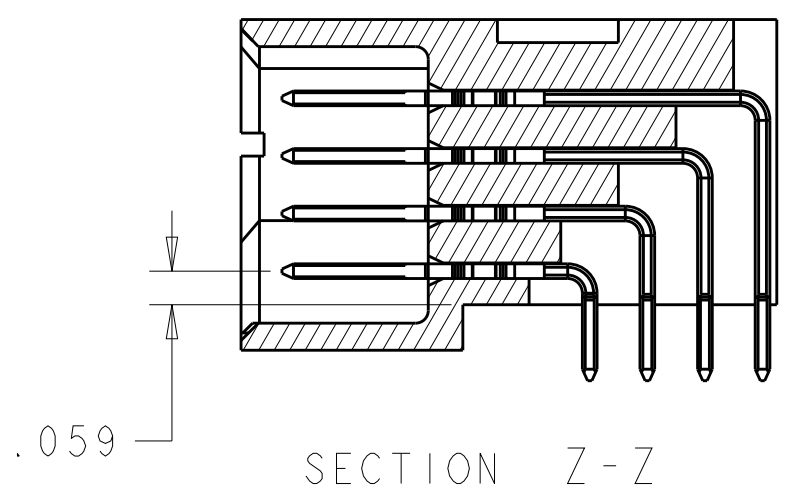
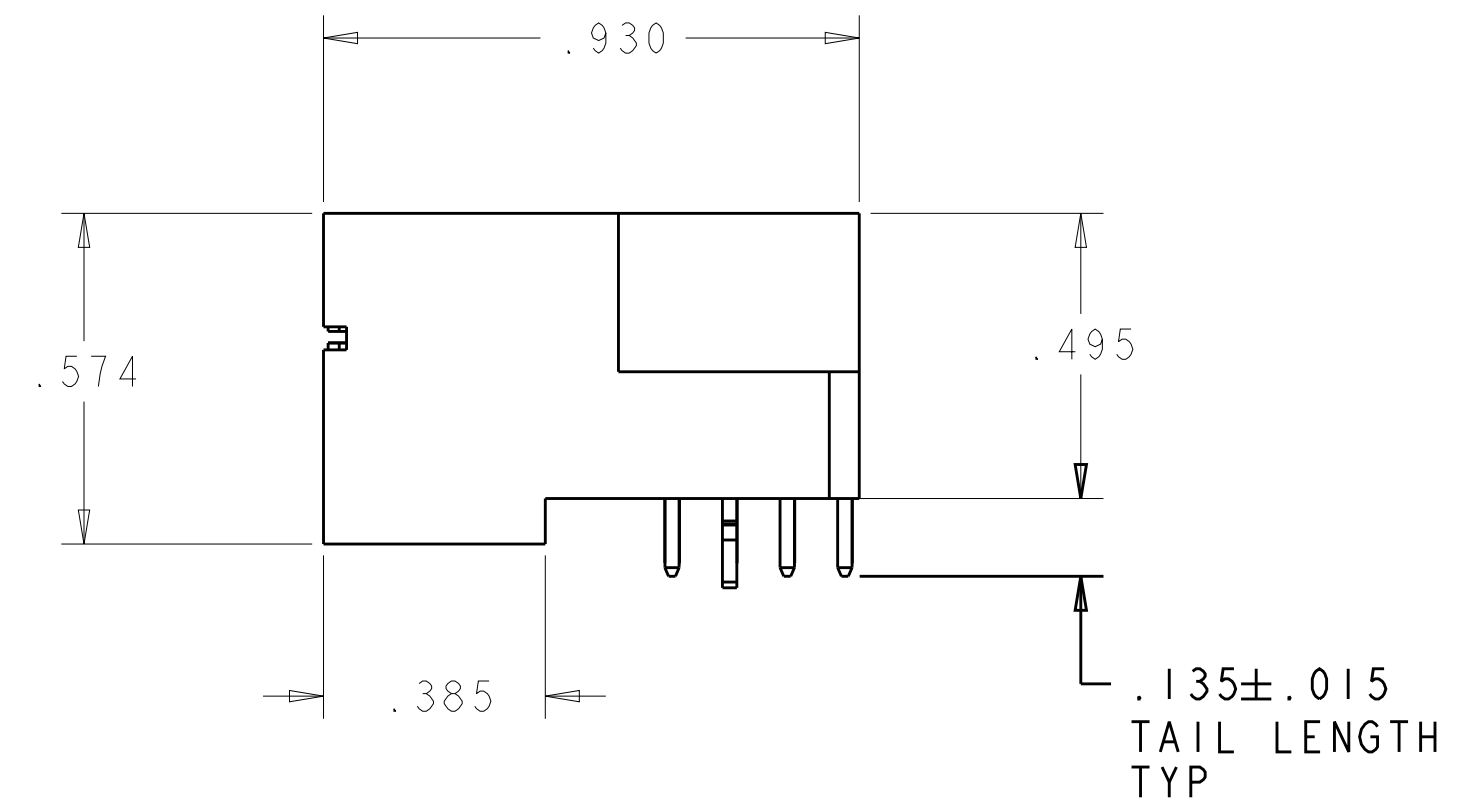
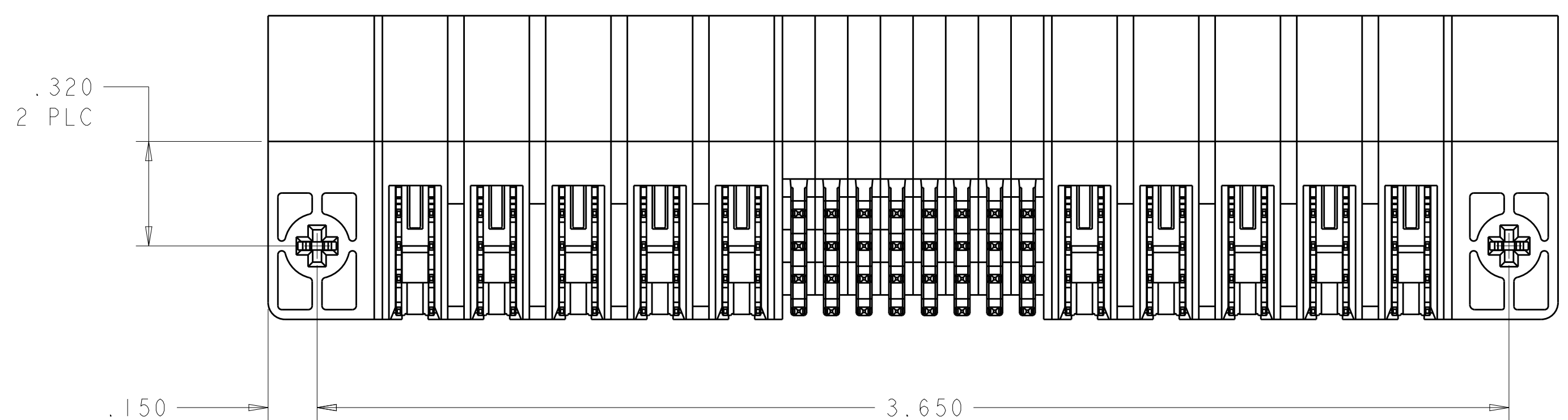
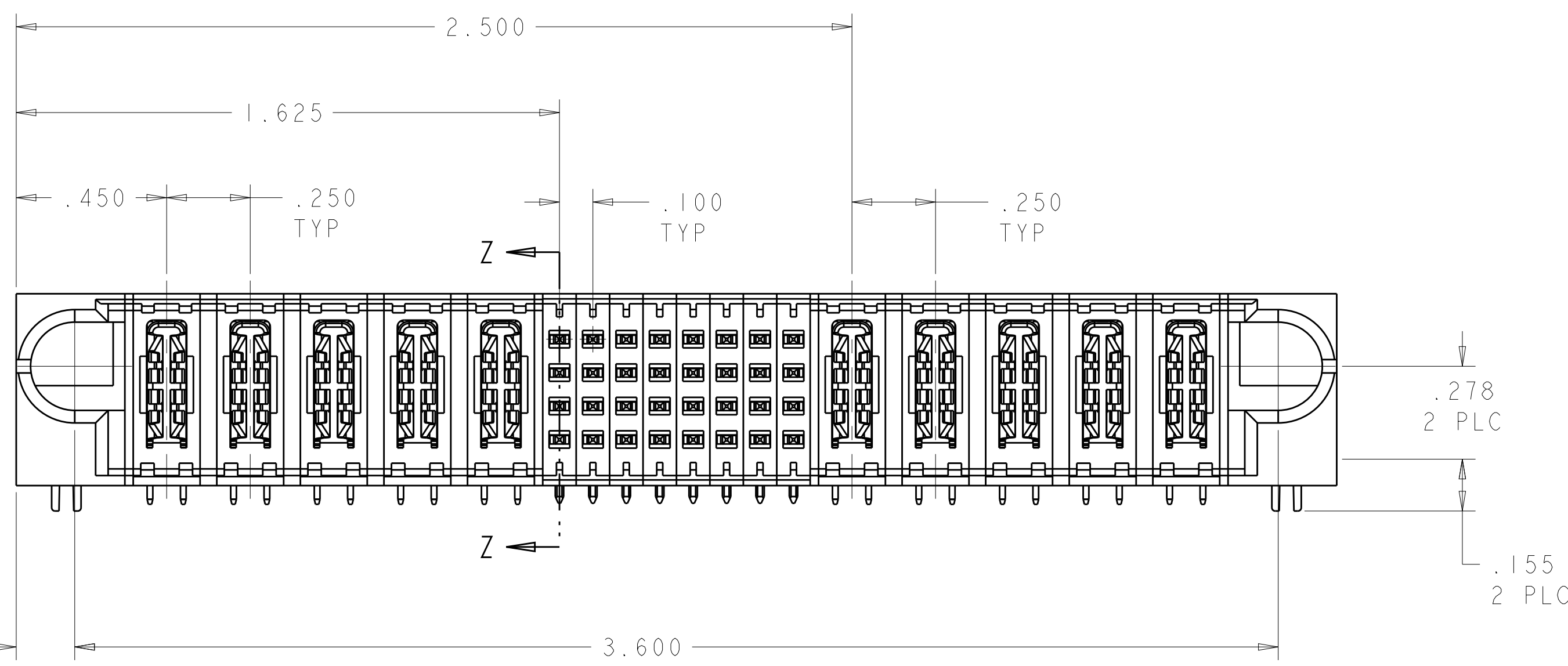
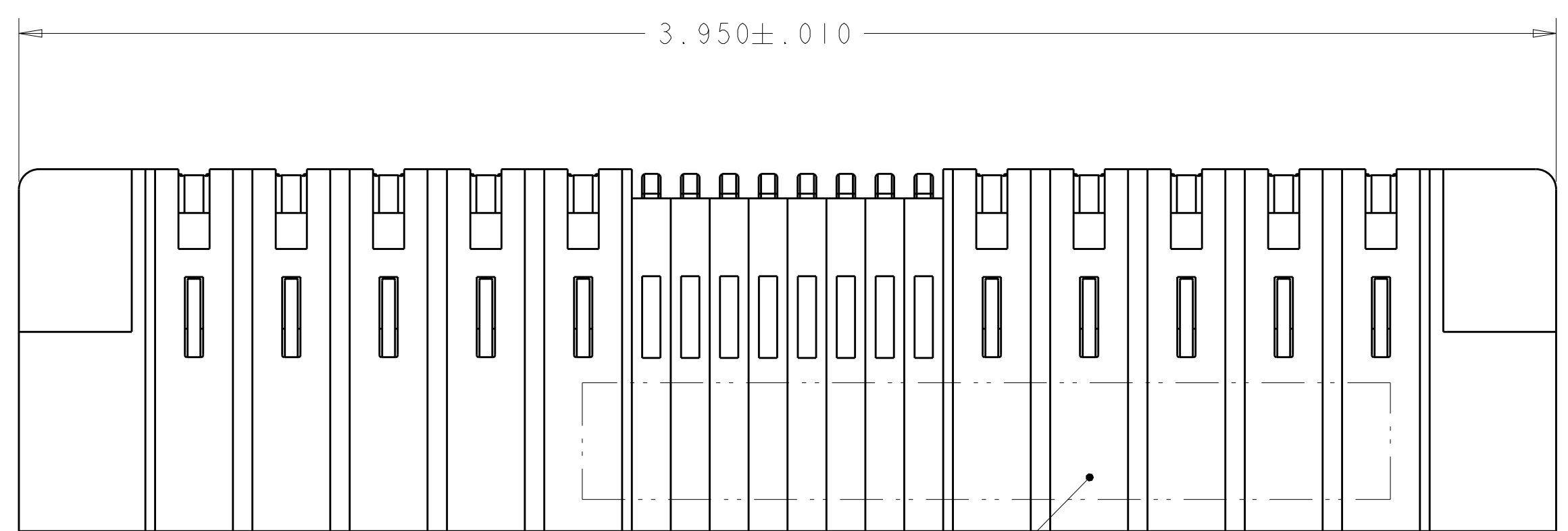


LOC	DIST	REVISIONS					
		P	LTN	DESCRIPTION	DATE	DWN	APVD
ES	00	1		INITIAL RELEASED	19NOV2012	ML	SZ



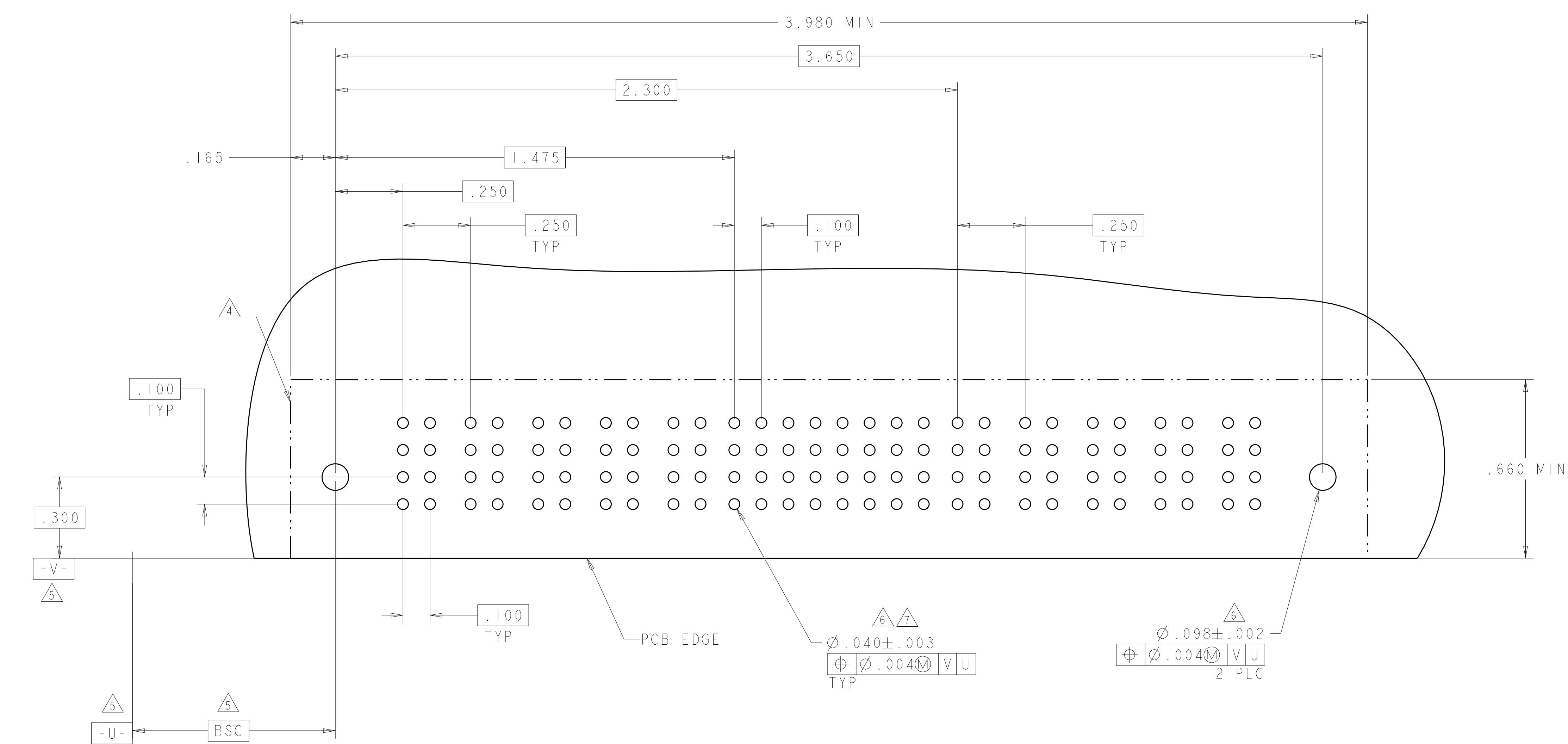
- ① "AMP", PART NUMBER, AND DATECODE TO BE MARKED IN AREA SHOWN. PARTS UNDER 2.00 LONG MAY BE MARKED ON BOTH SIDES.
- ② MATERIAL:
 HOUSING - GLASS FILLED HIGH TEMP THERMO PLASTIC, UL94 V-0
 SIGNAL CONTACT - COPPER ALLOY
 POWER CONTACT - HIGH CONDUCTIVITY COPPER ALLOY
- ③ CONTACT PLATING: SIGNAL CONTACTS -.000050 MIN Ni UNDER ALL
 .000030 MIN Au ON CONTACT AREA
 .000100 MIN Sn AT PCB INTERFACE
 POWER CONTACTS -.000050 MIN Ni UNDER ALL
 .000030 MIN Au ON CONTACT AREA
 .000100 MIN Sn AT PCB INTERFACE
- ④ MECHANICAL CONNECTOR KEEP OUT ZONE.
- ⑤ DATUM AND BASIC DIMENSIONS ESTABLISHED BY CUSTOMER.
- ⑥ PCB - ALL HOLE DIAMETERS ARE FINISHED HOLE SIZES.
- ⑦ PCB - .0453 ± .0010 DRILLED HOLES PLATED WITH .0003 MIN Sn OVER .001 TO .003 Cu PLATING TO ACHIEVE A .040 ± .003 HOLE.

5P + 32S + 5P	2-2204157-4
DESCRIPTION	PART NUMBER

THIS DRAWING IS A CONTROLLED DOCUMENT.		DWN: MAC LIU 19NOV2012	TE Connectivity
DIMENSIONS: INCHES		CHK: SUNY ZHAO 19NOV2012	
TOLERANCES UNLESS OTHERWISE SPECIFIED:		APVD: SUNY ZHAO	NAME: RIGHT ANGLE HEADER ASSEMBLY WITH GUIDES, SOLDER CONTACTS MULTI-BEAM XL PRODUCT SPEC: 108-1973 APPLICATION SPEC: 114-13038 SIZE: 114-13038 WEIGHT: - RESTRICTED TO: -
0 PLC ±.01 1 PLC ±.01 2 PLC ±.01 3 PLC ±.005 4 PLC ±.0020 ANGLES ±.020		CAGE CODE: A100779 DRAWING NO: C=2-2204157-4	
MATERIAL: TE CONNECTIVITY		FINISH: ②	
Customer Drawing		SCALE: 1:1 SHEET 1 OF 2 REV 1	

LOC	DIST	REVISIONS					
		P	LTN	DESCRIPTION	DATE	DWN	APVD
ES	00	-	-	SEE SHEET 1	-	-	-

PART NUMBER	ROWS	POWER					SIGNAL								POWER					
		P1	P2	P3	P4	P5	1	2	3	4	5	6	7	8	P6	P7	P8	P9	P10	
2-2204157-4	D	PM	PM	PM	PM	PM	J	J	J	J	J	J	J	J	PM	PM	PM	PM	PM	
	C						K	K	K	K	K	K	K	K						
	B						N	N	N	N	N	N	N	N						N
	A						S	S	S	S	S	S	S	S						S
5P + 32S + 5P		HD		HD																



J	SIGNAL CONTACT, STD	D
K	SIGNAL CONTACT, STD	C
N	SIGNAL CONTACT, STD	B
S	SIGNAL CONTACT, STD	A
PM	POWER CONTACT, STD	-
CODE	DESCRIPTION	ROW
CONTACTS		

THIS DRAWING IS A CONTROLLED DOCUMENT.

DIMENSIONS: INCHES
 TOLERANCES UNLESS OTHERWISE SPECIFIED:
 0 PLC ±.
 1 PLC ±.01
 2 PLC ±.01
 3 PLC ±.005
 4 PLC ±.0020
 ANGLES ±.020

MATERIAL: TE CONNECTIVITY
 FINISH:

DWG: MAC LIU 19NOV2012
 CHK: SUNY ZHAO 19NOV2012
 APVD: SUNY ZHAO
 NAME: SUNY ZHAO
 PRODUCT SPEC: 108-1973
 APPLICATION SPEC: 114-13038
 WEIGHT:

STE TE Connectivity
 RIGHT ANGLE HEADER ASSEMBLY WITH GUIDES, SOLDER CONTACTS MULTI-BEAM XL
 SIZE: A1
 CAGE CODE: 00779
 DRAWING NO: C=2-2204157-4
 RESTRICTED TO: Customer Drawing
 SCALE: 1:1
 SHEET: 2 OF 2
 REV: 1