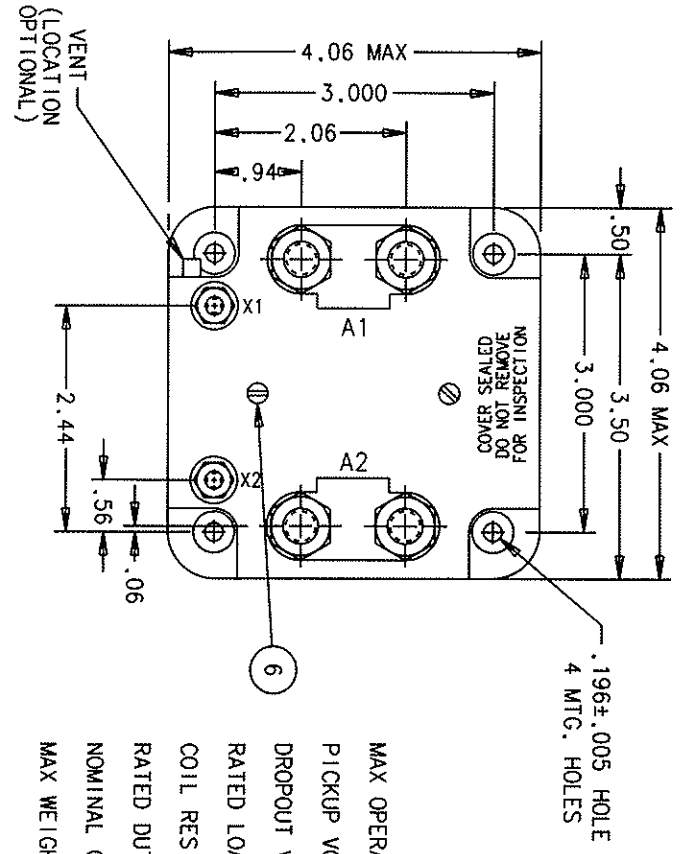


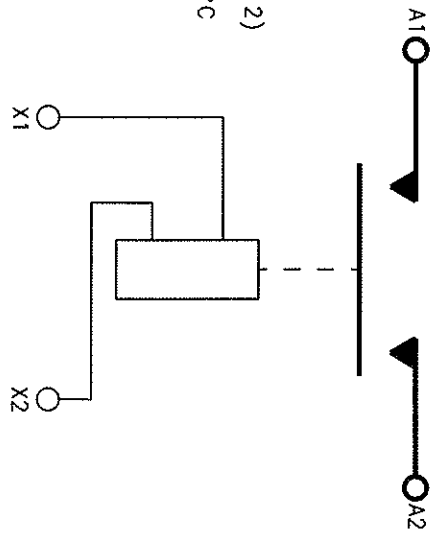
| REV. | DESCRIPTION | DATE | APPROVED |
|------|---|----------|----------|
| D | 41926 REDRAWN, FIND 9 ADDED, WT WAS 3 LBS | 00/03/22 | RS |

REVISIONS

RELEASED

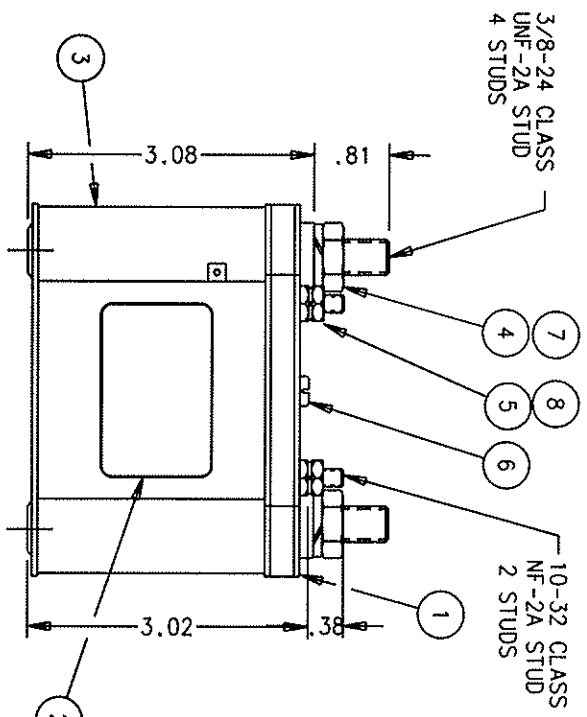


- MAX OPERATING VOLTAGE 29 VOLTS
- PICKUP VOLTAGE 18 VOLTS MAX
- DROPOUT VOLTAGE 1-5 VOLTS
- RATED LOAD, RESISTIVE 600 AMP (PER NOTE 2)
- COIL RESISTANCE 20 ±10 OHMS AT 25°C
- RATED DUTY (PER NOTE 1) INTERMITTENT
- NOMINAL COIL VOLTAGE 24-28 VOLTS
- MAX WEIGHT 3.2 LBS



NOTES:

1. DUTY CYCLE 20% MAX ON* TIME
2. 1000 AMP CARRY ONLY AT RATED DUTY CYCLE



| QTY | PART OR IDENTIFYING NO | DESCRIPTION | FOUNDRY NO | DRAWING OR SPECIFICATION | MATERIAL OR NOTE |
|-----|------------------------|------------------------------------|------------|--------------------------|------------------|
| 1 | 39529-001 | OVERLAY | | | |
| 2 | 51810-054 | WASHER - LOCK, No.10 SPL.IT | | | BRONZE |
| 7 | 51807-084 | WASHER - LOCK 3/8 SPL IT | | | BRONZE |
| 4 | 51200-020 | SCREW No. 4 x 1/4 PAN HD, SHI MET. | | | S.STEEL |
| 5 | 50410-084 | NUT 10-32 X 3/8 X 1/8 HEX. | | | BRASS |
| 4 | 50407-164 | NUT 3/8-24 X 5/8 X 7/32 HEX. | | | BRASS |
| 3 | 13548-060 | CONTACTOR ASM - PRIMARY | | | |
| 1 | 16043-001 | PLATE - BASE COVER | | | |
| 1 | 08432-001 | PLATE - BASE COVER | | | |

| | | | | | |
|---|-------|--------------------|---------------------|--|--|
| UNLESS OTHERWISE SPECIFIED DIMENSIONS ARE IN INCHES TOLERANCES ON | | DR BY RLS 00/03/27 | | HARTMAN ELECTRICAL MANUFACTURING MANSFIELD, OHIO | |
| ±.06 | ±.010 | ±.1* | CHK BY KRS 00/03/27 | CONTACTOR-AIRCRAFT 600 AMP INTERMITTENT DUTY | |
| MATERIAL | | MFG DATE 01/03/20 | | 093 | |
| | | RELEASE | | SIZE CODE IDENT DWG NO. | |
| | | CONTR NO. | | C 74063 A-712AF | |
| | | GOVT APPVAL | | SCALE NONE SHEET | |