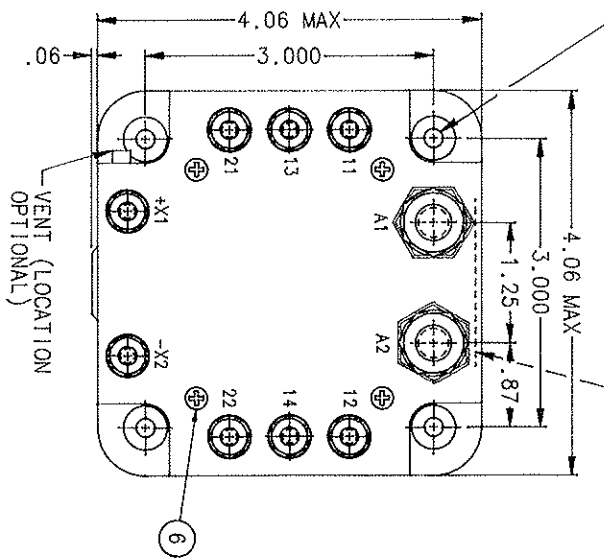


REV	DATE	APPROVED
D	96/08/17	RS
E	97/01/14	RS

FAA/PMA

REV	DESCRIPTION	RELEASED
D	30763 REDRAWN. FIND NOS 11 & 12 ADDED.	96/08/17
E	31784 COIL CIRCUIT REDRAWN. UPDATE COIL RESISTANCE AND P/L.	97/01/14

1964.005 DIA HOLE
4 MTG HOLES
1 (2) (LOCATION OPTIONAL)



CONSTRUCTION MAIN CONTACTS
CONFEIGURATION VOLTAGE (NOMINAL) CURRENT
AUXILIARY CONTACTS
CONFEIGURATION VOLTAGE CURRENT RES.

GASKET SEALED (VENTED)
SPST N.O.
28 VDC
400 AMP
1500 AMP INRUSH

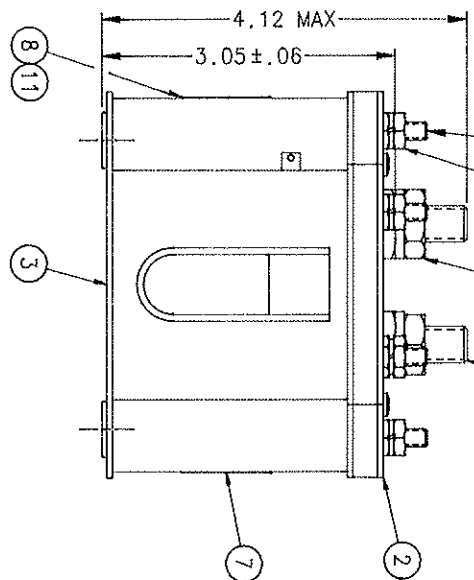
COIL DATA
DUTY CYCLE
MAX OPERATE
MIN OPERATE
PICKUP AT 25°C
DROPOUT
RESISTANCE AT 25°C
PICKUP
DROPOUT
SUPPRESSION

CONTINUOUS (ECONOMIZING)
24 VDC
18 VDC
12 V MAX
0.5 - 7 V.
±20%

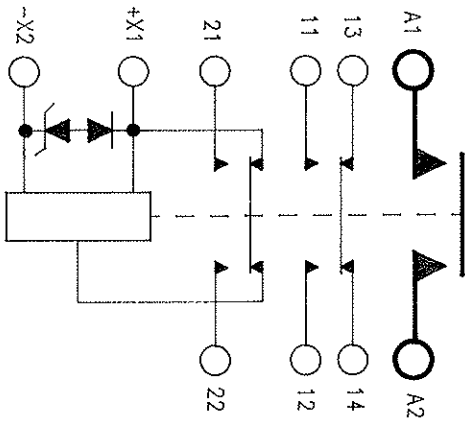
ENVIRONMENTAL DATA
AMBIENT TEMP.
LIFE ELECTRICAL
LIFE MECHANICAL
WEIGHT MAX. (EST.)

-55°C TO +71°C MAX
50,000 CYCLES MIN.
100,000 CYCLES
2 LBS. 8 OZ.

10-32 UNF-2A STUD 8 STUDS REQ'D
3/8-24 UNF-2A STUD 2 STUDS REQ'D



NOTES:
1. THIS UNIT MEETS THE MATERIAL AND WORKMANSHIP REQUIREMENTS OF MIL-R-6106.
2. MOUNTING SURFACE SHALL PROVIDE ELECTRICAL GROUND.



CONFIGURATION CONTROLLED

FIND NO	QTY	RECD	IDENTIFYING NO	PART OR NO	NOMENCLATURE OR DESCRIPTION	FSCAL NO	DRAWING OR SPECIFICATION	MATERIAL OR NOTE
12	1			39529-001	OVERLAY - NAME PLATE			
11	1			39529-024	OVERLAY - FAA/PMA			
10	8			51810-054	WASHER-LOCK NO. 10 X .337 X .047 SPLIT		AN935B10	BRONZE
9	2			51807-084	WASHER-LOCK 3/8 X .688 X .094 SPLIT		AN935B616	BRONZE
8	1			58400-011	PLATE - FAA/PMA			
7	1			17959-001	PLATE - WARNING			
6	4			51200-020	SCREW-NO. 4 X 1/4 SHEETMETAL			S. STEEL
5	8			50410-084	NUT-10-32 X 3/8 X 1/8 HEX.		AN345B10	BRASS
4	2			50407-164	NUT-3/8-24 X 5/8 X 7/32 HEX.		AN345B616	BRASS
3	1			33273-050	RELAY ASSEMBLY - PRI.			
2	1			32060-001	PLATE-BASE COVER			
1	1			16043-001	PLATE - NAME			

HARTMAN ELECTRICAL MANUFACTURING
MAANSFIELD, OHIO

CONTACTOR SPST NO
400 AMP, 28 VOLTS

UNLESS OTHERWISE SPECIFIED DIMENSIONS ARE IN INCHES TOLERANCES IN	DR BY	DLM	97/01/14
2 PL DEC. 3 PL DEC. ANGLES	RS	97/01/15	
*.06	RS	97/01/15	
*.010	RS	97/01/15	
.1	RS	97/01/15	
REF	RS	97/01/15	
BRITISH AERO SPACE	RS	97/01/15	
GOVT APPV	RS	97/01/15	
SCALE	SIZE	CODE IDENT	DWG NO.
1:2	C	74063	A-703ZS
			093