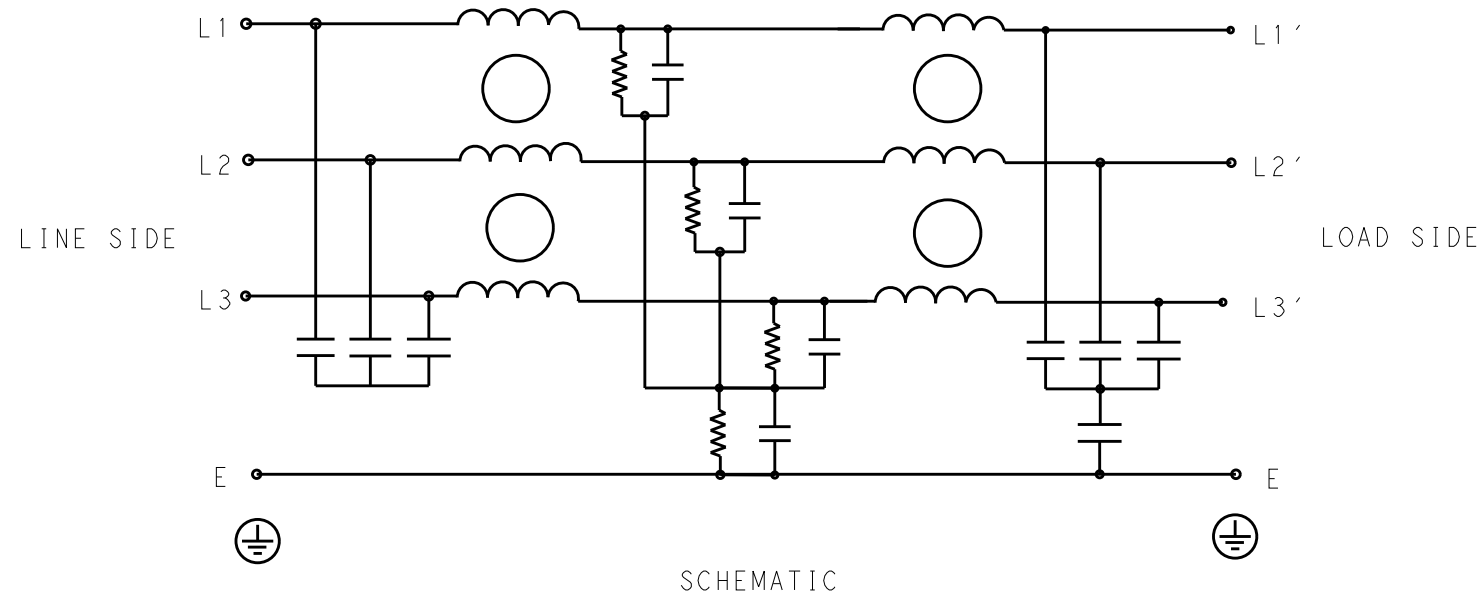


P	LTR	DESCRIPTION	DATE	DWN	APVD
	B	INITIAL RELEASE	08JUL2020	SB	LI



SAFETY ORGANIZATIONS

THIS FILTER WILL BE FORMALLY RECOGNIZED, CERTIFIED OR APPROVED BY THE LISTED AGENCY. THEREFORE, ALL TEST/REQUIREMENTS SPECIFIED IN THE LATEST REVISION OF THE FOLLOWING AGENCY STANDARDS WILL BE MET:

UL RECOGNIZED* 120A 440V 50Hz/60Hz 40°C
 CSA CERTIFIED** 120A 440V 50Hz/60Hz 40°C

* 31 JULY 2020 ; ** 31 AUGUST 2020

OPERATING SPECIFICATION

LINE CURRENT/VOLTAGE: 120A, 440VAC
 LINE FREQUENCY: 50/60Hz

MAXIMUM LEAKAGE CURRENT: 15mA @ 230VAC, 50Hz

OPERATING AMBIENT TEMPERATURE RANGE @ RATED CURRENT: -25°C TO +40°C

IN AN AMBIENT, T_a, HIGHER THAN 40°C, THE MAXIMUM OPERATING CURRENT, I_o, IS AS FOLLOWS:

$$I_o = I_r \sqrt{\frac{85 - T_a}{45}}$$

RELIABILITY SPECIFICATIONS

STORAGE TEMPERATURE: -40°C TO +85°C
 HUMIDITY: 21 DAYS @ 40°C AND 95% RH

TEST SPECIFICATIONS

INDUCTANCE, NOMINAL: 0.2mH

CAPACITANCE @ 1kHz

LINE TO GROUND, NOMINAL: 1.76µF
 LINE TO LINE, NOMINAL: 6.6µF

DISCHARGE RESISTOR

L/L I.R. 3MΩ 2W
 L/N I.R. XXX
 L/G I.R. 680KΩ 2W
 N/G I.R. XXX
 IR (NO DISCHARGE RESISTOR) 20°C, 50% RH AND 100VDC, MIN: 6MΩ

RECOMMENDED RECEIVING INSPECITON HIPOT

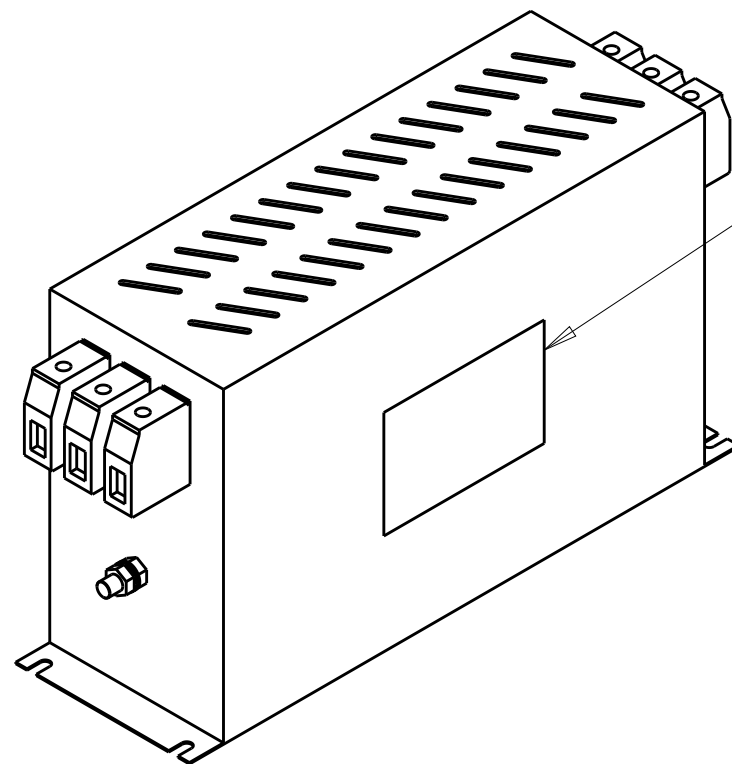
LINE TO GROUND FOR 1 MINUTE: 2632VDC
 LINE TO LINE FOR 1 MINUTE: 1892VDC

FILTER APPROVAL


THE BEST WAY TO SELECT AND QUALIFY A FILTER IS FOR YOUR ENGINEERING TO TEST THE UNIT IN YOUR EQUIPMENT.

TYPICAL INSERTION LOSS
 COMMON MODE 50/50Ω; DIFFERENTIAL MODE 50/50Ω

MHz	0.01	0.05	0.15	0.5	1	3	5	10	30
CM	18	21	50	54	55	48	42	34	22
DM	28	30	60	52	43	32	26	20	19



LABEL TO TE MARKING SPECIFICATION

THIS DRAWING IS A CONTROLLED DOCUMENT.		DWN	24FEB2020	 TE Connectivity
		CHK	24FEB2020	
		APVD	24FEB2020	
			LEO IRUDHAYARAJ	
DIMENSIONS: mm		TOLERANCES UNLESS OTHERWISE SPECIFIED:		NAME
		0 PLC ±0.5		POWER LINE FILTER
		1 PLC ±0.5		120KEHD10ABSD
		2 PLC ±0.40		SIZE
		3 PLC ±0.130		CAGE CODE
		4 PLC ±0.0500		DRAWING NO
		ANGLES ±		RESTRICTED TO
MATERIAL		FINISH		A300779
				C=2-1609969-7
				SCALE 1:4
				SHEET 1 OF 2
				REV B
				CUSTOMER DRAWING

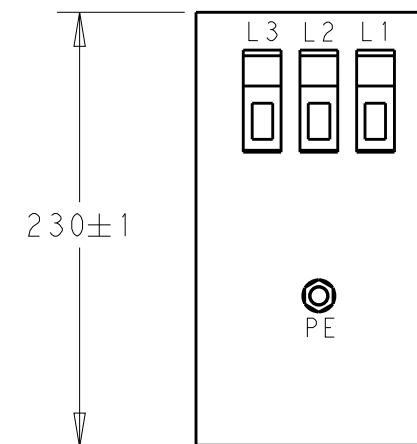
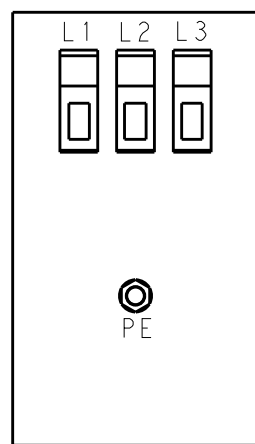
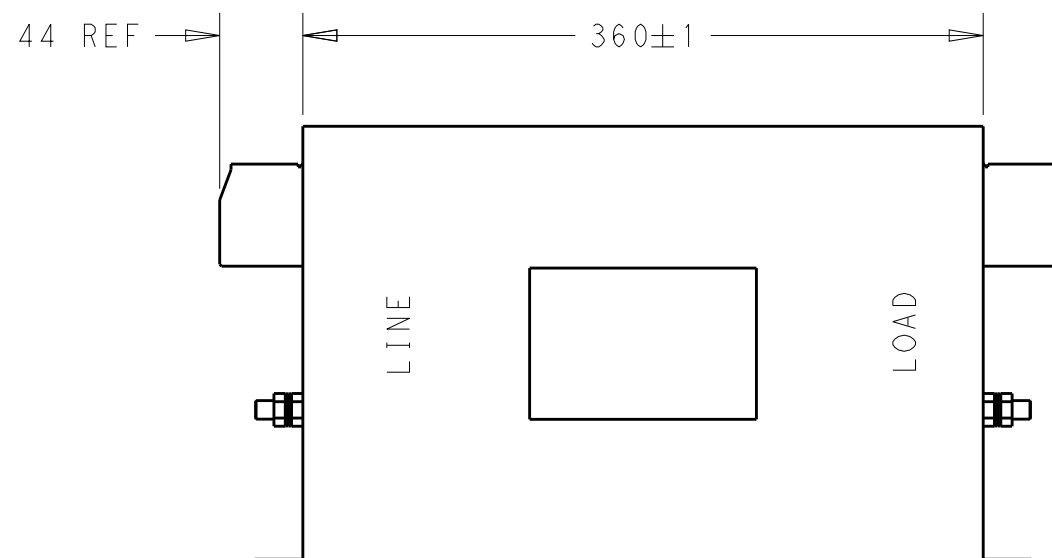
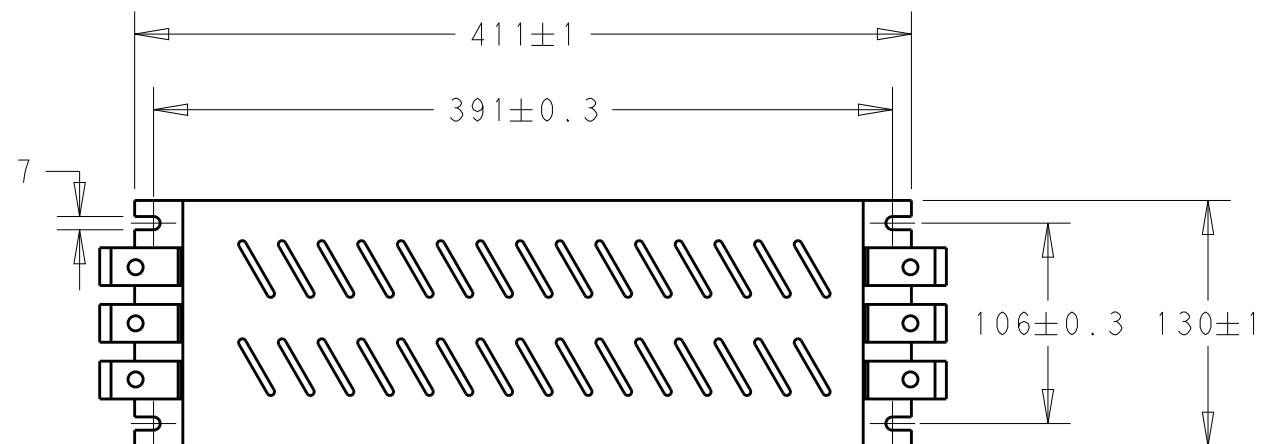
© 2020 TE Connectivity. All Rights Reserved.

NOTE 1 GROUND CONNECTION:
 DO NOT LOOSEN INNER GROUND NUTS.
 TORQUE OUTER TERMINAL SCREWS: 6 Nm / 54 in.lbs
 TORQUE GROUND NUTS: 4-10Nm

NOTE 2 INPUT OUTPUT CONNECTION TERMINAL
 AWG SIZE: 6 -1 AWG
 WIRE SECTION: 50 mm²
 THREADED BOLT SIZE FOR GROUND: M10

REVISIONS

P	LTR	DESCRIPTION	DATE	DWN	APVD
		SEE SHEET 1			



THIS DRAWING IS A CONTROLLED DOCUMENT.		DWN	24FEB2020						
		CHK	24FEB2020						
		APVD	24FEB2020						
			LEO IRUDHAYARAJ						
DIMENSIONS: mm		TOLERANCES UNLESS OTHERWISE SPECIFIED:		NAME POWER LINE FILTER 120KEHD10ABSD					
		0 PLC	±-		SIZE	CAGE CODE	DRAWING NO	RESTRICTED TO	
		1 PLC	±0.5		A3	00779	C-2-1609969-7	-	
		2 PLC	±0.40		SCALE 1:4 SHEET 2 OF 2 REV B				
		3 PLC	±0.130						
MATERIAL		FINISH		PRODUCT SPEC		APPLICATION SPEC		WEIGHT	
-		-		-		-		-	
				CUSTOMER DRAWING					