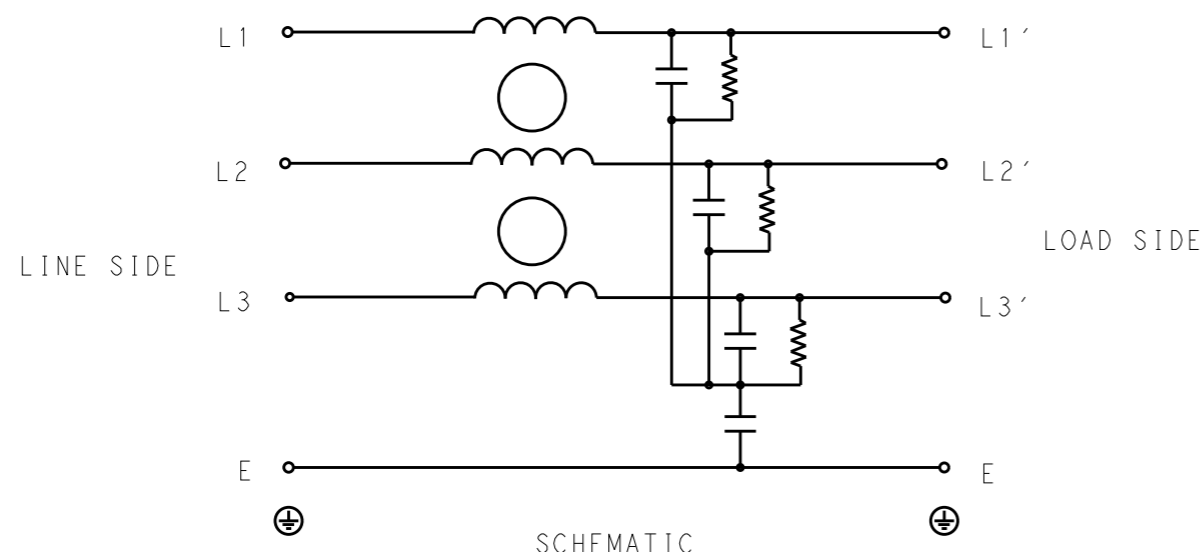
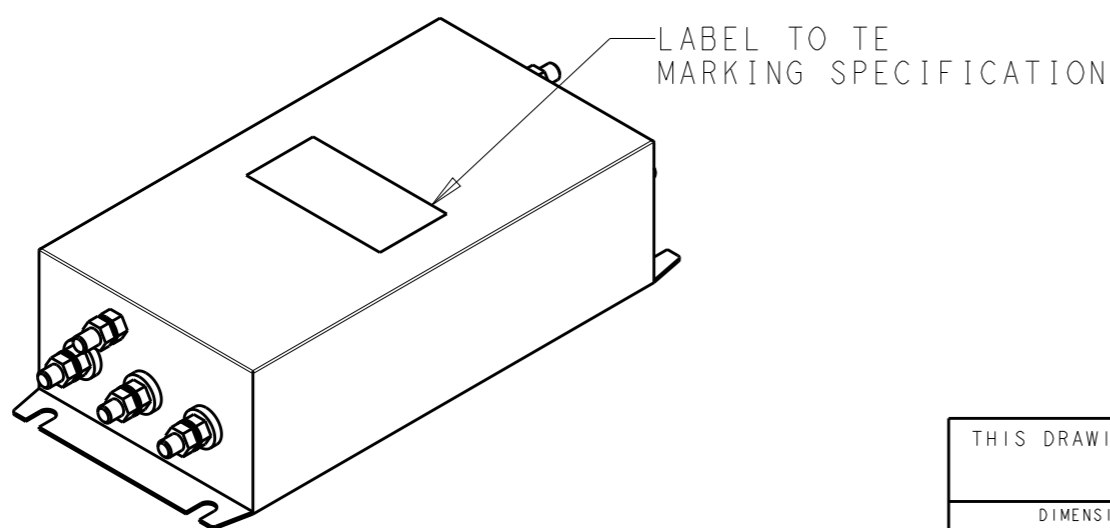


| P | LTR | DESCRIPTION     | DATE      | DWN | APVD |
|---|-----|-----------------|-----------|-----|------|
|   | B   | INITIAL RELEASE | 07JUL2020 | SR  | LI   |
|   |     |                 |           |     |      |
|   |     |                 |           |     |      |



TYPICAL INSERTION LOSS  
COMMON MODE 50/50Ω; DIFFERENTIAL MODE 50/50Ω

| MHz | 0.01 | 0.05 | 0.15 | 0.5 | 1  | 3  | 5  | 10 | 30 |
|-----|------|------|------|-----|----|----|----|----|----|
| CM  | 2    | 3    | 6    | 15  | 22 | 28 | 30 | 35 | 42 |
| DM  | 2    | 2    | 8    | 20  | 25 | 31 | 35 | 40 | 47 |



SAFETY ORGANIZATIONS

THIS FILTER WILL BE FORMALLY RECOGNIZED, CERTIFIED OR APPROVED BY THE LISTED AGENCY. THEREFORE, ALL TEST/REQUIREMENTS SPECIFIED IN THE LATEST REVISION OF THE FOLLOWING AGENCY STANDARDS WILL BE MET:

UL RECOGNIZED\* 150A 440V 50Hz/60Hz 40°C  
 CSA CERTIFIED\*\* 150A 440V 50Hz/60Hz 40°C

\*31 JULY 2020 ; \*\*31 AUGUST 2020

OPERATING SPECIFICATION

LINE CURRENT/VOLTAGE: 150A, 440VAC  
 LINE FREQUENCY: 50/60Hz

MAXIMUM LEAKAGE CURRENT: 8mA @ 230VAC, 50Hz

OPERATING AMBIENT TEMPERATURE RANGE @ RATED CURRENT: -25°C TO +40°C

IN AN AMBIENT, T<sub>a</sub>, HIGHER THAN 40°C, THE MAXIMUM OPERATING CURRENT, I<sub>o</sub>, IS AS FOLLOWS:

$$I_o = I_r \sqrt{\frac{85 - T_a}{45}}$$

RELIABILITY SPECIFICATIONS

STORAGE TEMPERATURE: -40°C TO +85°C  
 HUMIDITY: 21 DAYS @ 40°C AND 95% RH

TEST SPECIFICATIONS

INDUCTANCE, NOMINAL: 0.1mH

CAPACITANCE @ 1kHz  
 LINE TO GROUND, NOMINAL: 98nF  
 LINE TO LINE, NOMINAL: 3.4μF

DISCHARGE RESISTOR

L/G I.R. 680KΩ 2W  
 L/L I.R. 2MΩ 2W  
 L/N I.R. XXX  
 N/G I.R. XXX  
 IR (NO DISCHARGE RESISTOR) 20°C, 50% RH AND 100VDC, MIN: 6MΩ

RECOMMENDED RECEIVING INSPECITON HIPOT

LINE TO GROUND FOR 1 MINUTE: 2632VDC  
 LINE TO LINE FOR 1 MINUTE: 1892VDC

FILTER APPROVAL

THE BEST WAY TO SELECT AND QUALIFY A FILTER IS FOR YOUR ENGINEERING TO TEST THE UNIT IN YOUR EQUIPMENT.

|   |  |                                |                                      |                 |                          |
|---|--|--------------------------------|--------------------------------------|-----------------|--------------------------|
| THIS DRAWING IS A CONTROLLED DOCUMENT.  |  | DWN SUPREETH R 06FEB2020       | TE Connectivity                      |                 |                          |
| DIMENSIONS: mm  |  | CHK LEO IRUDHAYARAJ 06FEB2020  |                                      |                 |                          |
| TOLERANCES UNLESS OTHERWISE SPECIFIED:  |  | APVD LEO IRUDHAYARAJ 06FEB2020 | NAME POWER LINE FILTER 150KEBS6AFPDP |                 |                          |
| 0 PLC ±-<br>1 PLC ±0.5<br>2 PLC ±0.40<br>3 PLC ±0.130<br>4 PLC ±0.0500<br>ANGLES ±- |  | PRODUCT SPEC -                 | RESTRICTED TO -                      |                 |                          |
| MATERIAL -  |  | APPLICATION SPEC -             | SIZE A3                              | CAGE CODE 00779 | DRAWING NO C-2-1609965-5 |
| FINISH -  |  | WEIGHT -                       | SCALE 1:4                            |                 |                          |
|   |  | CUSTOMER DRAWING               | SHEET 1 OF 2                         | REV B           |                          |

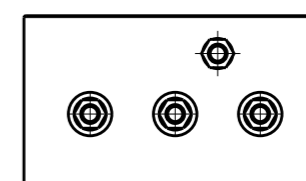
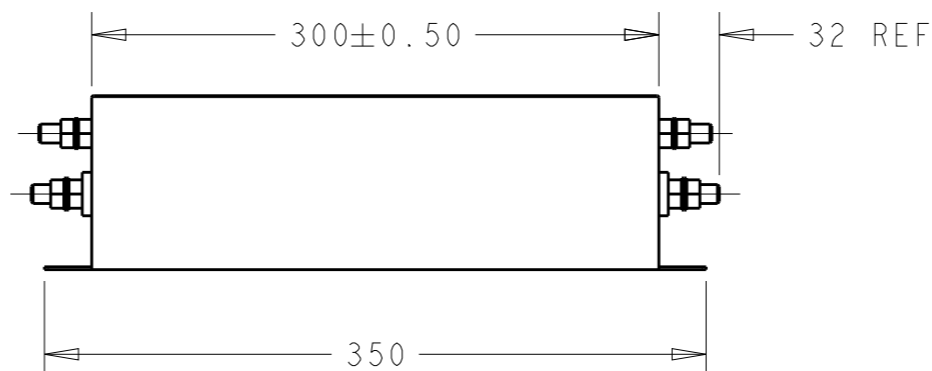
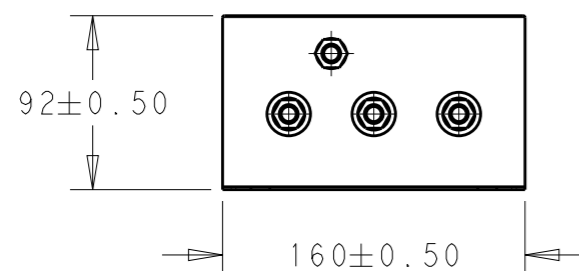
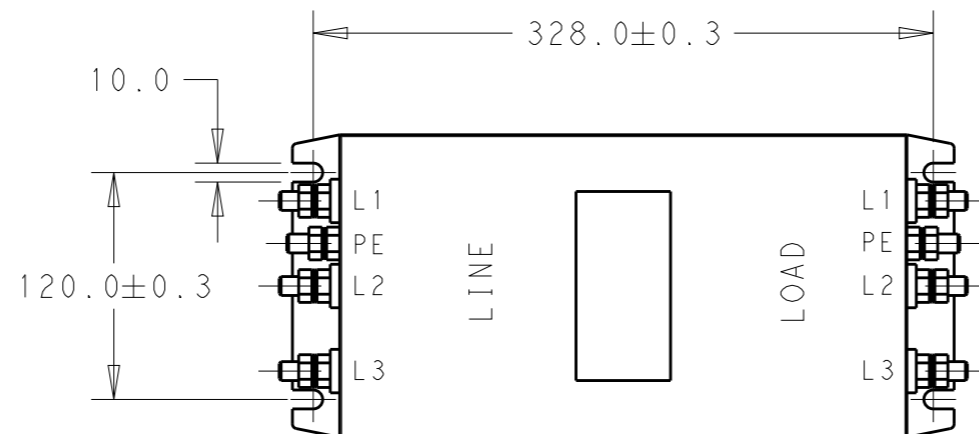
© 2020 TE Connectivity. All Rights Reserved.

REVISIONS

NOTE 1 GROUND CONNECTION:  
 DO NOT LOOSEN INNER GROUND NUTS.  
 TORQUE OUTER TERMINAL /GROUND NUTS: 4-10Nm

NOTE 2 INPUT OUTPUT CONNECTION TERMINAL  
 AWG SIZE: XXX  
 THREADED BOLT SIZE FOR TERMINAL: M10  
 THREADED BOLT SIZE FOR GROUND: M10

| P | LTR | DESCRIPTION | DATE | DWN | APVD |
|---|-----|-------------|------|-----|------|
|   |     | SEE SHEET 1 |      |     |      |
|   |     |             |      |     |      |
|   |     |             |      |     |      |



THIS DRAWING IS A CONTROLLED DOCUMENT.

DWN 06FEB2020  
 SUPREETH R  
 CHK 06FEB2020  
 LEO IRUDHAYARAJ  
 APVD 06FEB2020  
 LEO IRUDHAYARAJ



| DIMENSIONS: | TOLERANCES UNLESS OTHERWISE SPECIFIED: |
|-------------|--|
| mm          |  |
|             | 0 PLC ±-                               |
|             | 1 PLC ±0.5                             |
|             | 2 PLC ±0.40                            |
|             | 3 PLC ±0.130                           |
|             | 4 PLC ±0.0500                          |
|             | ANGLES ±-                              |

| MATERIAL | FINISH |
|----------|--------|
| -        | -      |
| -        | -      |

PRODUCT SPEC -  
 APPLICATION SPEC -  
 WEIGHT -

NAME  
 POWER LINE FILTER  
 150KEBS6AFPD

| SIZE | CAGE CODE | DRAWING NO    | RESTRICTED TO |
|------|-----------|---------------|---------------|
| A3   | 00779     | C-2-1609965-5 | -             |

CUSTOMER DRAWING SCALE 1:4 SHEET 2 OF 2 REV B