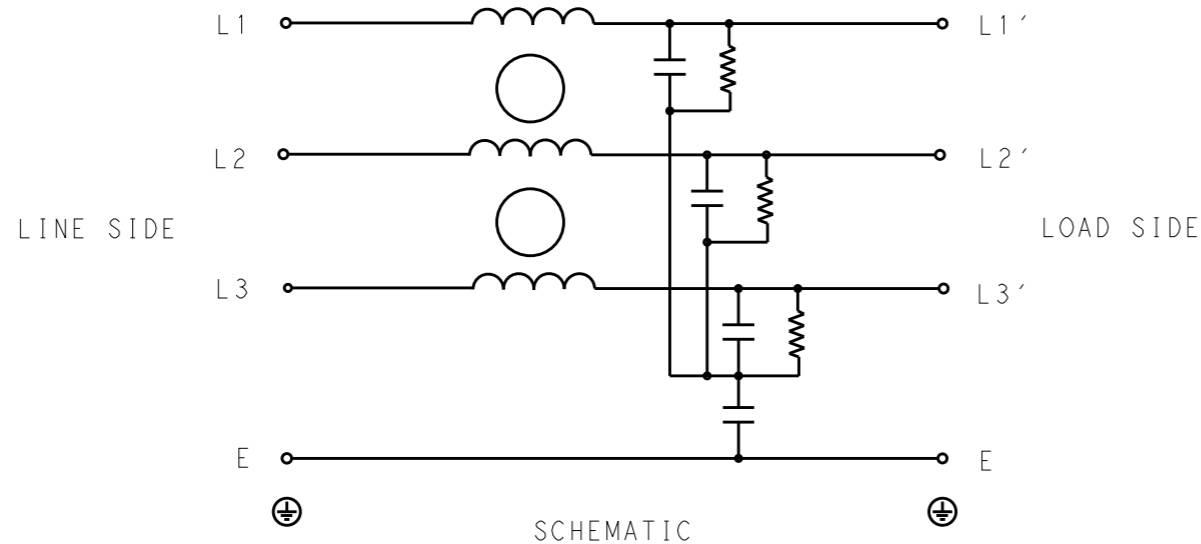


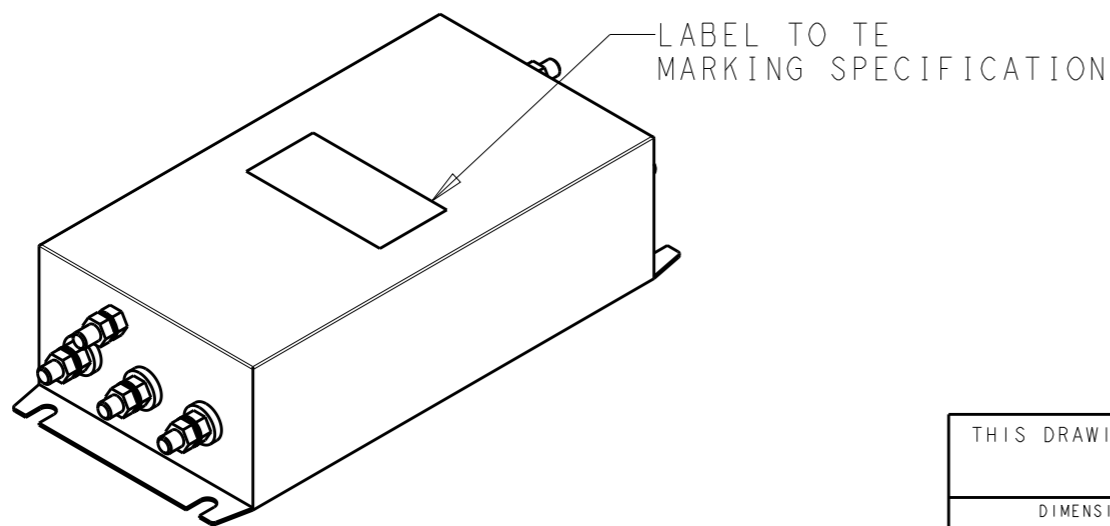
REVISIONS

P	LTR	DESCRIPTION	DATE	DWN	APVD
	B	INITIAL RELEASE	12FEB2020	SR	LI



TYPICAL INSERTION LOSS
COMMON MODE 50/50Ω; DIFFERENTIAL MODE 50/50Ω

MHz	0.01	0.05	0.15	0.5	1	3	5	10	30
CM	2	4	3	17	23	25	25	32	38
DM	7	8	14	43	37	40	35	30	40



SAFETY ORGANIZATIONS

THIS FILTER WILL BE FORMALLY RECOGNIZED, CERTIFIED OR APPROVED BY THE LISTED AGENCY. THEREFORE, ALL TEST/REQUIREMENTS SPECIFIED IN THE LATEST REVISION OF THE FOLLOWING AGENCY STANDARDS WILL BE MET:

UL RECOGNIZED* 100A 440V 50Hz/60Hz 40°C
 CSA CERTIFIED** 100A 440V 50Hz/60Hz 40°C

*31 JULY 2020 ; **31 AUGUST 2020

OPERATING SPECIFICATION

LINE CURRENT/VOLTAGE: 100A, 440VAC
 LINE FREQUENCY: 50/60Hz

MAXIMUM LEAKAGE CURRENT: 6mA @ 230VAC, 50Hz

OPERATING AMBIENT TEMPERATURE RANGE @ RATED CURRENT: -25°C TO +40°C

IN AN AMBIENT, T_a, HIGHER THAN 40°C, THE MAXIMUM OPERATING CURRENT, I_o, IS AS FOLLOWS:

$$I_o = I_r \sqrt{\frac{85 - T_a}{45}}$$

RELIABILITY SPECIFICATIONS

STORAGE TEMPERATURE: -40°C TO +85°C
 HUMIDITY: 21 DAYS @ 40°C AND 95% RH

TEST SPECIFICATIONS

INDUCTANCE, NOMINAL: 0.1mH

CAPACITANCE @ 1kHz

LINE TO GROUND, NOMINAL: 22nF
 LINE TO LINE, NOMINAL: 2.5μF

DISCHARGE RESISTOR

L/G I.R. 680KΩ 2W
 L/L I.R. 2MΩ 2W
 L/N I.R. XXX
 N/G I.R. XXX
 IR (NO DISCHARGE RESISTOR) 20°C, 50% RH AND 100VDC, MIN: 6MΩ

RECOMMENDED RECEIVING INSPECITON HIPOT

LINE TO GROUND FOR 1 MINUTE: 2632VDC
 LINE TO LINE FOR 1 MINUTE: 1892VDC

FILTER APPROVAL

THE BEST WAY TO SELECT AND QUALIFY A FILTER IS FOR YOUR ENGINEERING TO TEST THE UNIT IN YOUR EQUIPMENT.

THIS DRAWING IS A CONTROLLED DOCUMENT.		DWN SUPREETH R 06FEB2020		
		CHK LEO IRUDHAYARAJ 06FEB2020		
DIMENSIONS: mm		APVD LEO IRUDHAYARAJ 06FEB2020	NAME POWER LINE FILTER 100KEBS6AFPD	
TOLERANCES UNLESS OTHERWISE SPECIFIED:		PRODUCT SPEC -	SIZE A3 CAGE CODE 00779 DRAWING NO C-2-1609965-3 RESTRICTED TO -	
0 PLC ±-		APPLICATION SPEC -	SCALE 1:4 SHEET 1 OF 2 REV B	
1 PLC ±0.5		WEIGHT -		
2 PLC ±0.40		CUSTOMER DRAWING		
3 PLC ±0.130				
4 PLC ±0.0500				
ANGLES ±-				
MATERIAL -				
FINISH -				

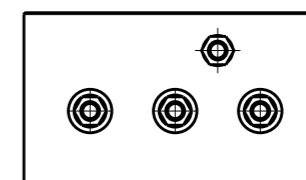
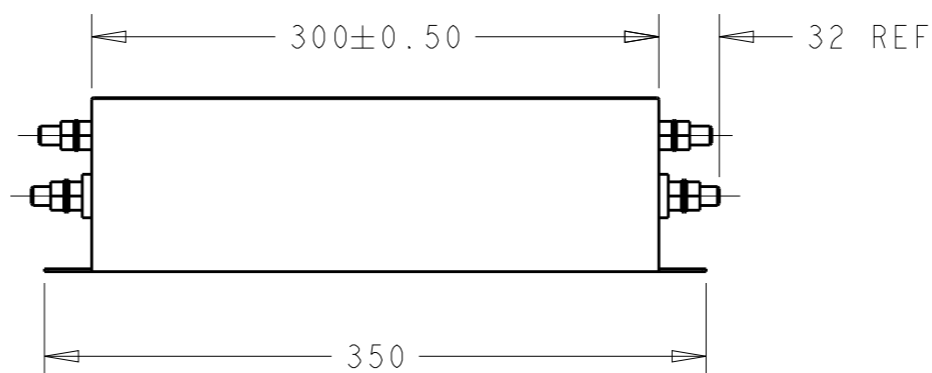
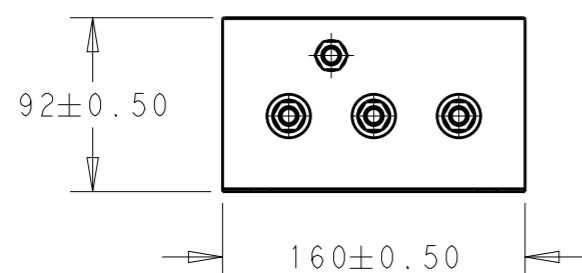
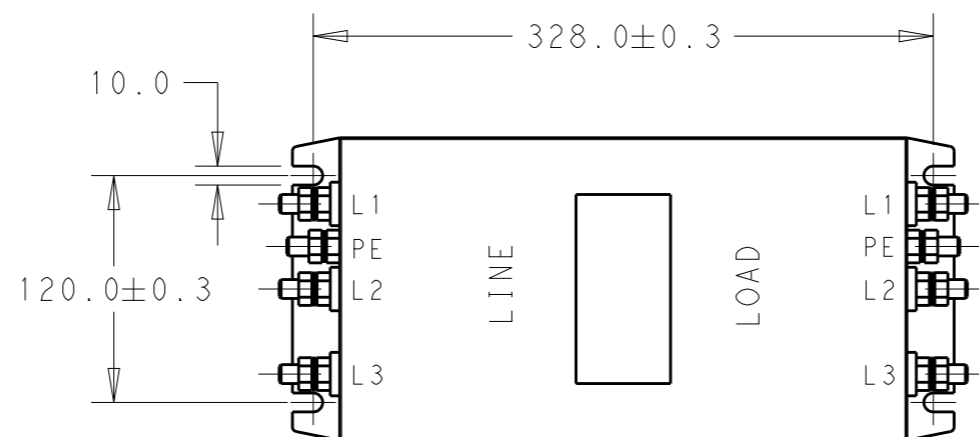
© 2020 TE Connectivity. All Rights Reserved.

NOTE 1 GROUND CONNECTION:
DO NOT LOOSEN INNER GROUND NUTS.
TORQUE OUTER TERMINAL /GROUND NUTS: 4-10Nm

NOTE 2 INPUT OUTPUT CONNECTION TERMINAL
AWG SIZE: XXX
THREADED BOLT SIZE FOR TERMINAL: M10
THREADED BOLT SIZE FOR GROUND: M10

REVISIONS

P	LTR	DESCRIPTION	DATE	DWN	APVD
		SEE SHEET 1			



THIS DRAWING IS A CONTROLLED DOCUMENT.

DWN 06FEB2020
SUPREETH R
CHK 06FEB2020
LEO IRUDHAYARAJ
APVD 06FEB2020
LEO IRUDHAYARAJ



DIMENSIONS:	TOLERANCES UNLESS OTHERWISE SPECIFIED:
mm	
	0 PLC ±-
	1 PLC ±0.5
	2 PLC ±0.40
	3 PLC ±0.130
	4 PLC ±0.0500
	ANGLES ±-

MATERIAL	FINISH
-	-
-	-

PRODUCT SPEC -
APPLICATION SPEC -
WEIGHT -
CUSTOMER DRAWING

NAME
POWER LINE FILTER
100KEBS6AFPD

SIZE	CAGE CODE	DRAWING NO	RESTRICTED TO
A3	00779	C-2-1609965-3	-
SCALE 1:4		SHEET 2 OF 2	REV B