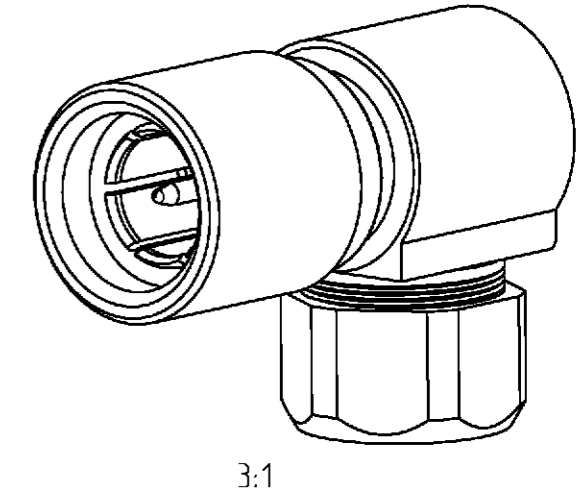
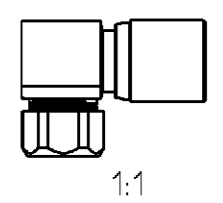


LOC	DIST	REVISIONS				
P	LTR	DESCRIPTION	DATE	DWN	APVD	
GW	-					
	A	-	05APR2001	BL	KM	
	A1	REVISED PER ECO-09-026495	NOV09	KK	AEG	
	A2	REVISE PER ECO-17-008075	05JUN17	LN	RS	



Old part number	Tyco part number	Description	Material	Plating	dim a	Appl spec	Cable type
V23612-A203-A66	2-1393682 2	Outer conductor	CuBe	1 µm Au min in contact area	15.8	114-71023	2YCY 0.7/4.4 2YC (mS) CY 0.5/3.0 ST 120 RG 159 B/U
		Center conductor	CuSn6/CuBe	1 µm Au min in contact area			
		Dielectric	PEEK/PTFE	-			
V23612-A203-A45A	2-1393682 1	Outer conductor	CuBe	1 µm Au min in contact area	13	114-71022	2 YCCY 0.4/2.5 2 YC (mS)CY 0.4/2.5
		Center conductor	CuSn6/CuBe	1 µm Au min in contact area			
		Dielectric	PEEK/PTFE	-			
V23612-A203-A45	2-1393682 0	Outer conductor	CuBe	1 µm Au min in contact area	13	114-71022	2 YCCY 0.4/2.5 2 YC (mS)CY 0.4/2.5
		Center conductor	CuSn6/CuBe	1 µm Au min in contact area			
		Dielectric	PEEK/PTFE	-			

- OBSOLETE PARTS: OBSOLETE CIS STREAMLINING PER D.RENAUD/D.SINISI
- Packed in tray
- 5) All parts are supplied as loose part unless otherwise specified
- 4) All dimensions are maximum unless otherwise specified.
- 3) Mating face according to DIN 47295/CECC 22240.
- Reference plane.
- Pre assembled parts.



<small>THIS DRAWING IS A CONTROLLED DOCUMENT FOR TYCO ELECTRONICS CORPORATION IT IS SUBJECT TO CHANGE AND THE CONTROLLING ENGINEERING ORGANIZATION SHOULD BE CONTACTED FOR THE LATEST REVISION.</small>		DWN B. Lenvain 23MAR2001 CHK K. Mattheeuws 05APR2001 APVD R. Leeman 05APR2001	tyco Electronics Tyco Electronics Oostkamp - Belgium	
DIMENSIONS: mm 		PRODUCT SPEC - APPLICATION SPEC See table WEIGHT -	NAME Cable plug 1.6/5.6 SIZE A3 CAGE CODE 00779 DRAWING NO C-2-1393682-0 RESTRICTED TO -	
TOLERANCES UNLESS OTHERWISE SPECIFIED: 0 PLC ± 1 PLC ± 2 PLC ± 3 PLC ± 4 PLC ± ANGLES ± MATERIAL - FINISH -		CUSTOMER DRAWING SCALE 5/1 SHEET 1 OF 1 REV A2		