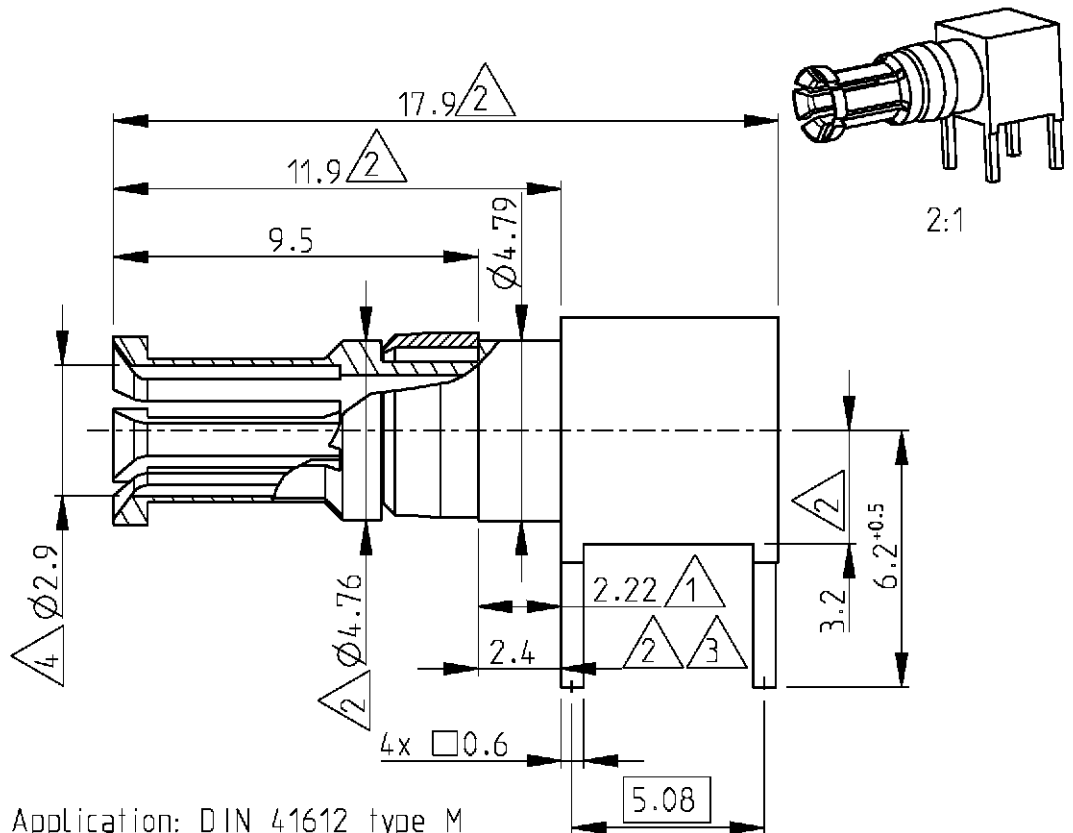


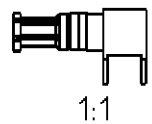
LOC	DIST	REVISIONS				
P	LTR	DESCRIPTION	DATE	DWN	APVD	
GW	-	A1	SR10-0170-01	26APR2001	BL	KM



- 5) Application: DIN 41612 type M
- △4 Initial dimensions
 - △3 Measured with spring moved towards mating face.
 - △2 Max dimension
 - △1 Min dimension

Cross reference table

Old part number	Tyco part number	Material	Plating	Current
C42334-A347-A193	2-1393589-7	CuBe	1 μm Au or Pd in contact area	40 A



2000
 RELEASED FOR PUBLICATION
 THIS DRAWING IS UNPUBLISHED.
 COPYRIGHT 2000 BY TYCO ELECTRONICS CORPORATION. ALL RIGHTS RESERVED.

DIMENSIONS: mm TOLERANCES UNLESS OTHERWISE SPECIFIED: 0 PLC ± 1 PLC ± 2 PLC ± 3 PLC ± 4 PLC ± ANGLES ±	DWN B. Lenvain 19APR2001	MATERIAL -	FINISH -
	CHR K. Mattheeuws 19APR2001	Tyco Electronics Oostkamp - Belgium	
APVD R. Leeman 19APR2001	NAME High current socket with PCB connection		
PRODUCT SPEC -	SIZE A4	CAGE CODE 00779	DRAWING NO C=2-1393589-7
APPLICATION SPEC -	RESTRICTED TO -		
WEIGHT -	CUSTOMER DRAWING		SCALE 8/1
SHEET 1 OF 1		REV A1	