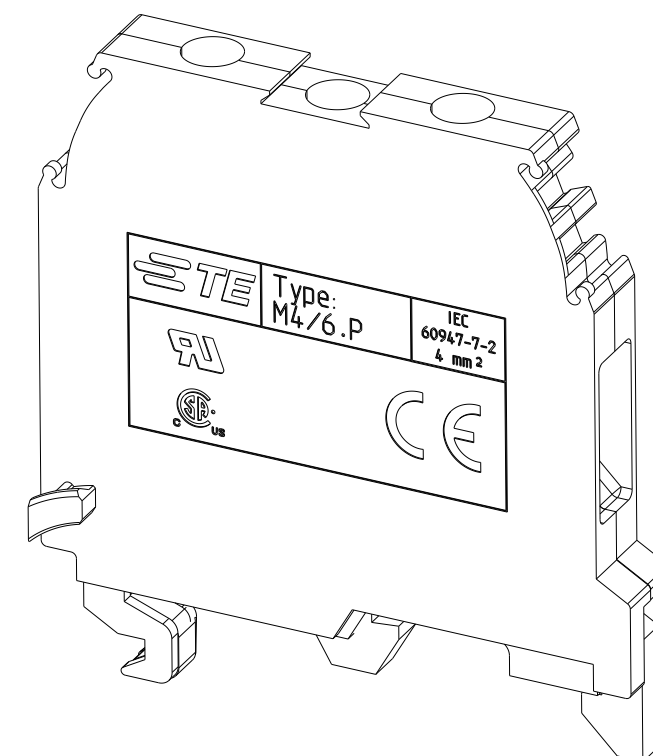
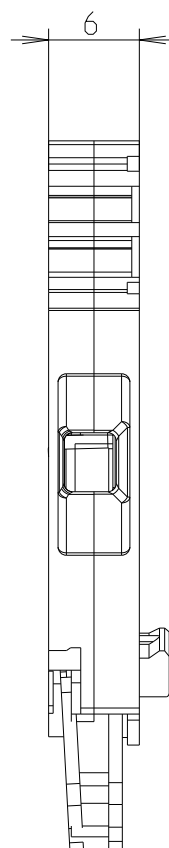
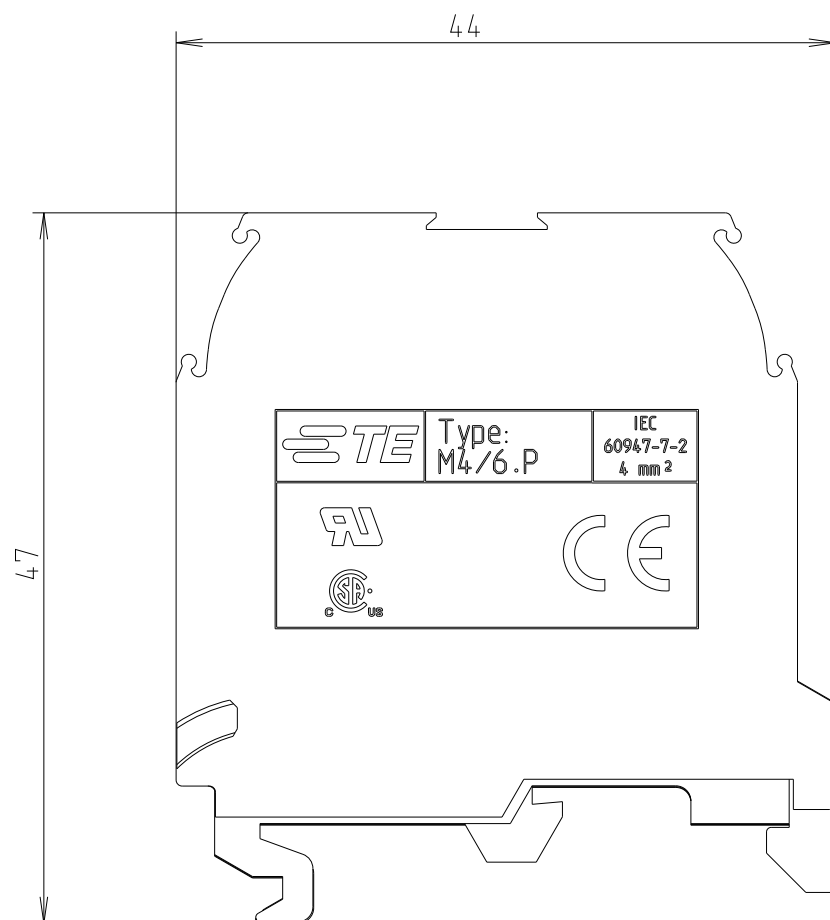



P	LTR	DESCRIPTION	DATE	DWN	APVD
	A	First Released	11JAN2023	VR	VR



THIS DRAWING IS A CONTROLLED DOCUMENT.		DWN Villard, Romain 2023	 TE Connectivity		
DIMENSIONS: mm		CHK			
TOLERANCES UNLESS OTHERWISE SPECIFIED:		APVD	NAME M4/6.P		
0 PLC ± 1 PLC ±0,1 2 PLC ±0,01 3 PLC ±0,001 4 PLC ±0,0001 ANGLES ±		PRODUCT SPEC -	1SNA165113R1600		
MATERIAL PA		APPLICATION SPEC -	SIZE A3	CAGE CODE 00779	DRAWING NO C=C-1SNP070017-0103
FINISH		WEIGHT 21,005	RESTRICTED TO -		
CUSTOMER DRAWING			SCALE 2:1	SHEET 1 OF 1	REV A