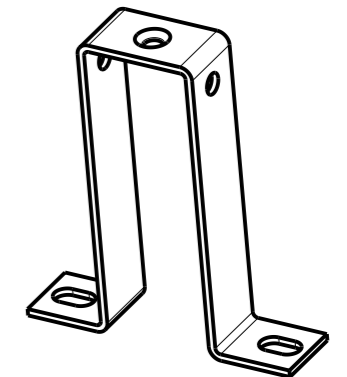
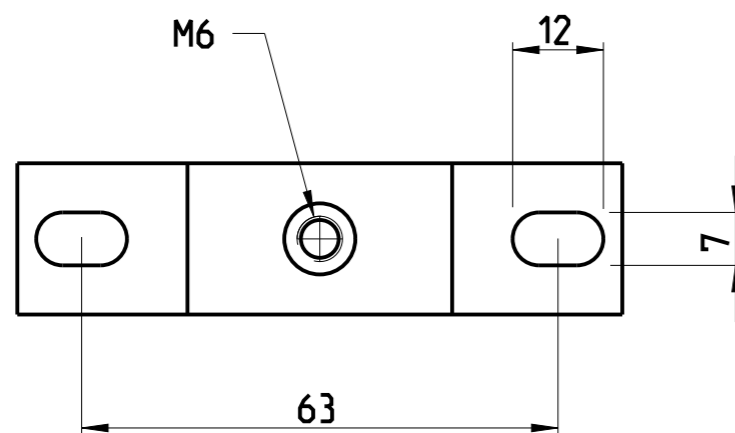
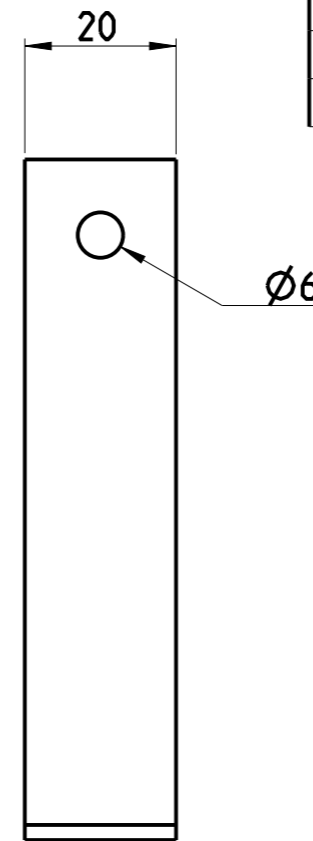
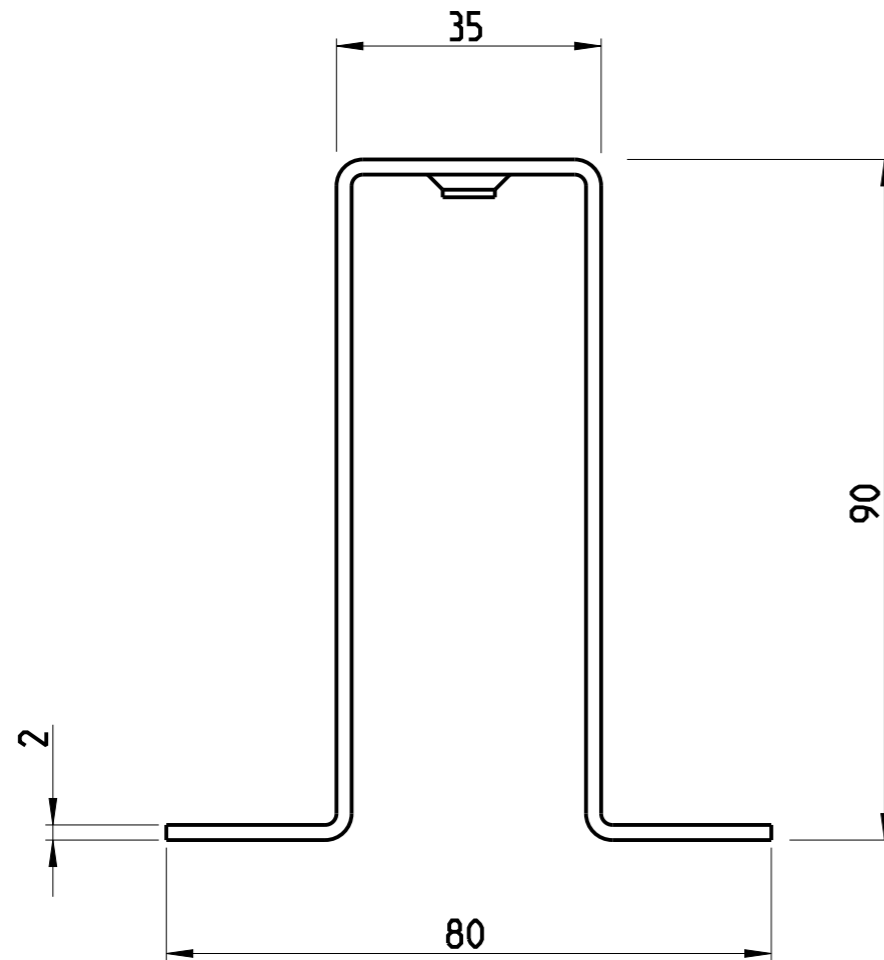


REVISIONS

P	LTR	DESCRIPTION	DATE	DWN	APVD
A		First Released	01FEB2021	HG	VR



SCALE 1:2

-	-	1SNA150054R0000
FINISH	MATERIAL	PART NO.

THIS DRAWING IS A CONTROLLED DOCUMENT.

DWN Girish N H 2021

CHK -

APVD -

PRODUCT SPEC -

APPLICATION SPEC -

WEIGHT -

CUSTOMER DRAWING

DIMENSIONS:	TOLERANCES UNLESS OTHERWISE SPECIFIED:	
mm	0 PLC	\pm
	1 PLC	± 0.1
	2 PLC	± 0.01
	3 PLC	± 0.005
	4 PLC	± 0.0001
	ANGLES	\pm
MATERIAL	FINISH	
-	-	



NAME THB90-P6			
-			
-			
SIZE	CAGE CODE	DRAWING NO	RESTRICTED TO
A3	00779	C-1SNP201561-0700	

SCALE 5:1	SHEET 1 OF 1	REV A
-----------	--------------	-------