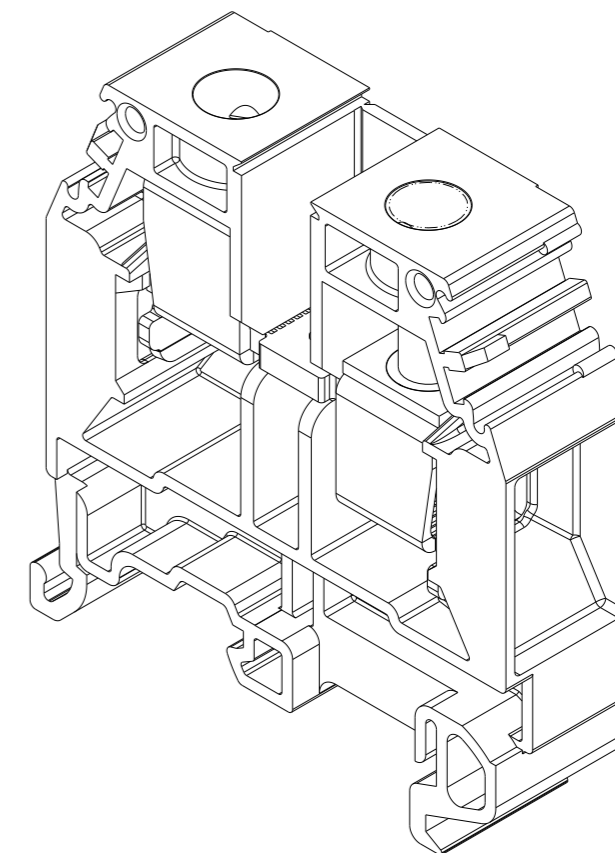
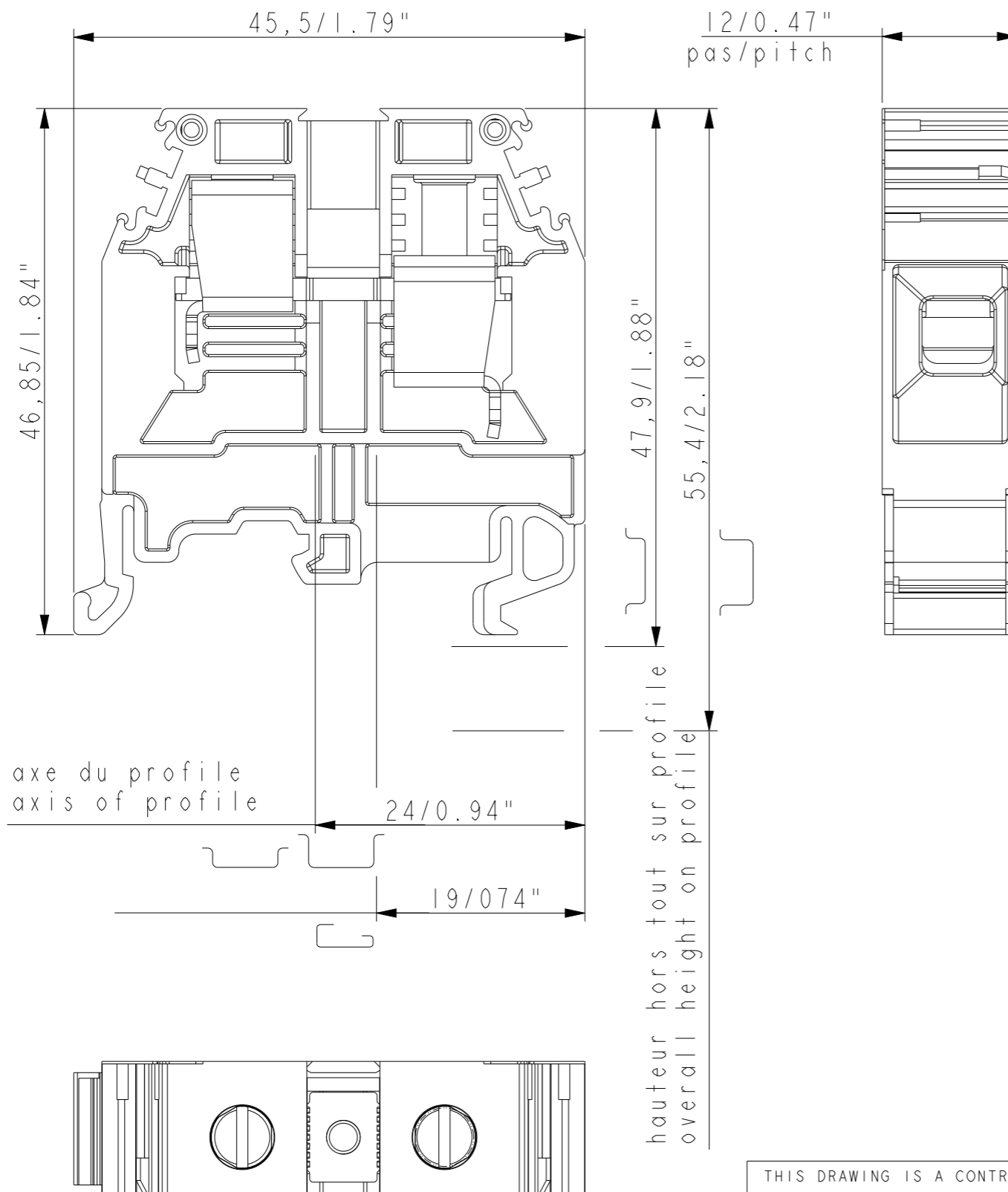


P	LTR	DESCRIPTION	DATE	DWN	APVD
	A	First Released	11JAN2023	VR	VR



THIS DRAWING IS A CONTROLLED DOCUMENT.		Dwan-23 04:29:01 PM Villard, Romain			
DIMENSIONS: mm		TOLERANCES UNLESS OTHERWISE SPECIFIED:			
		0 PLC	±-	NAME M16/12	
		1 PLC	±0,1	ISNA105129R2300	
MATERIAL PA		2 PLC	±0,01	SIZE	CAGE CODE
		3 PLC	±0,005	A3	00779
FINISH		4 PLC	±0,0001	DRAWING NO	
		ANGLES	±-	G-1SNP200673-0102	
		FINISH		RESTRICTED TO	
				Customer Drawing	SCALE 2,000
				WEIGHT 18,135	SHEET 1 OF 1
					REV A