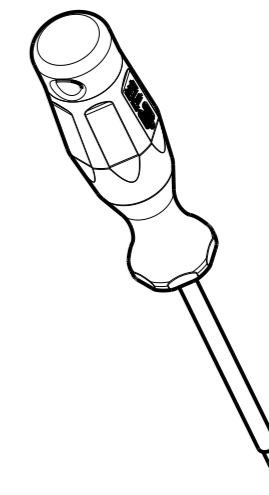
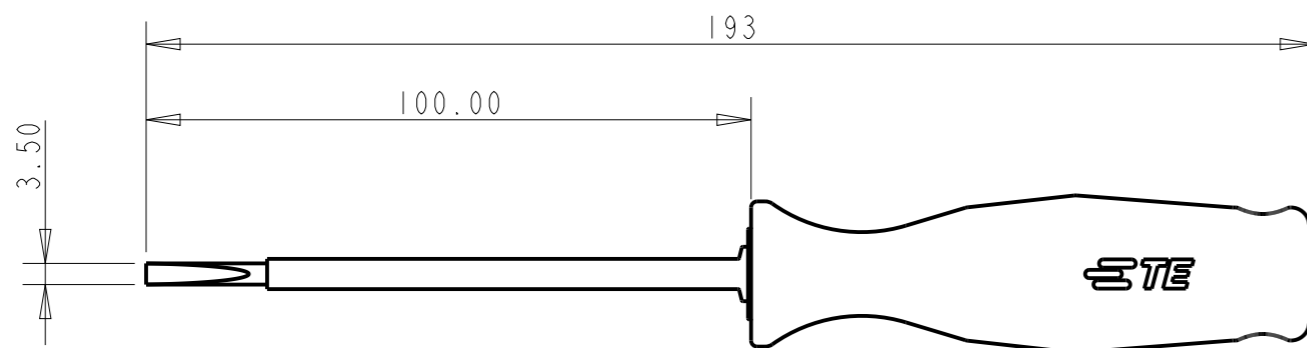


REVISIONS

P	LTR	DESCRIPTION	DATE	DWN	APVD
	A	First Released	04JAN2021	NN	VR



SCALE 1:2

-	-	ISNK900644R0000
FINISH	MATERIAL	PART NO

THIS DRAWING IS A CONTROLLED DOCUMENT.		DWN Dyara Silva	20NOV2020	STE TE Connectivity	
DIMENSIONS: mm		CHK	-		
		TOLERANCES UNLESS OTHERWISE SPECIFIED:		NAME T03.5-75-INS	
		0 PLC	±-	APVD	-
MATERIAL		1 PLC	±0.1	PRODUCT SPEC	-
FINISH		2 PLC	±0.01	APPLICATION SPEC	-
-		3 PLC	±0.001	WEIGHT	-
-		4 PLC	±0.0001	SIZE	A3
-		ANGLES	±-	CAGE CODE	00779
-				DRAWING NO	ISNP082302-0100
-				RESTRICTED TO	-
-				CUSTOMER DRAWING	SCALE 5:1 SHEET 1 OF 1 REV A