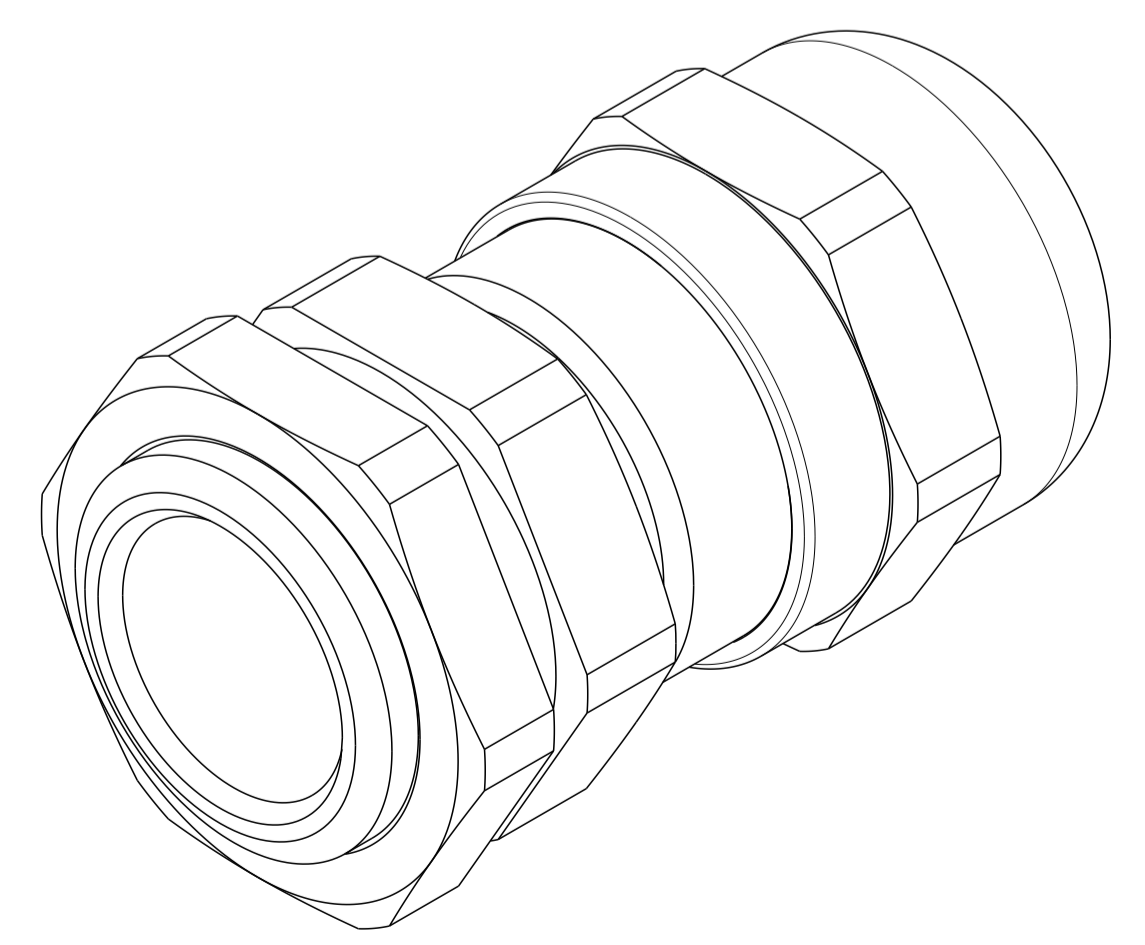
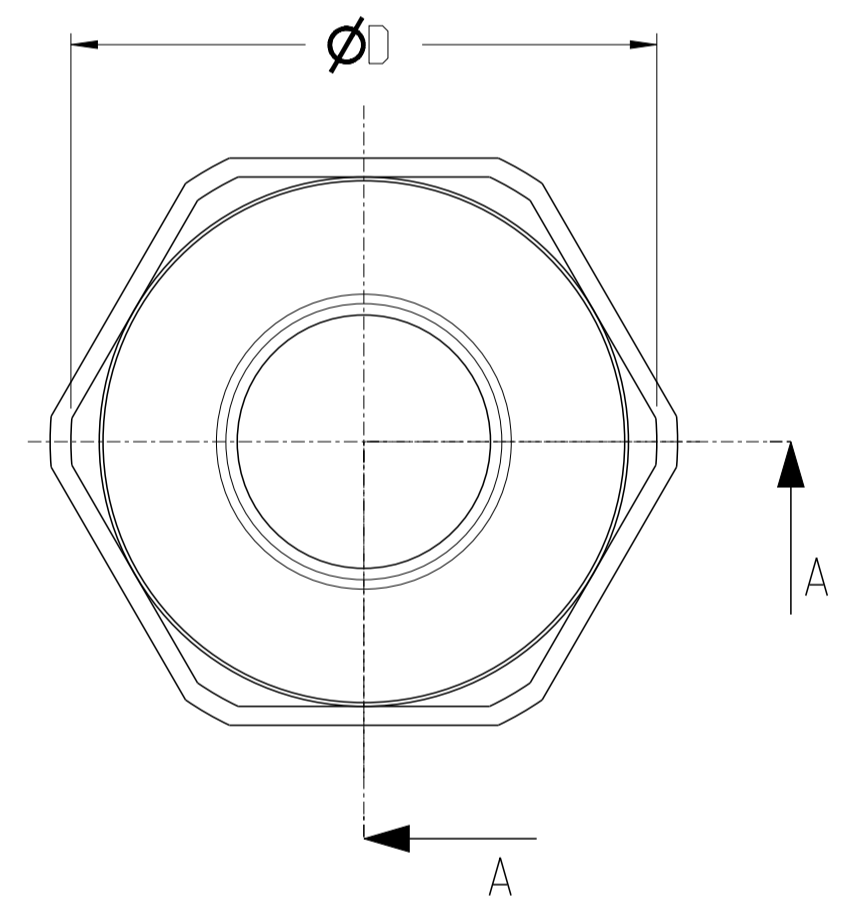
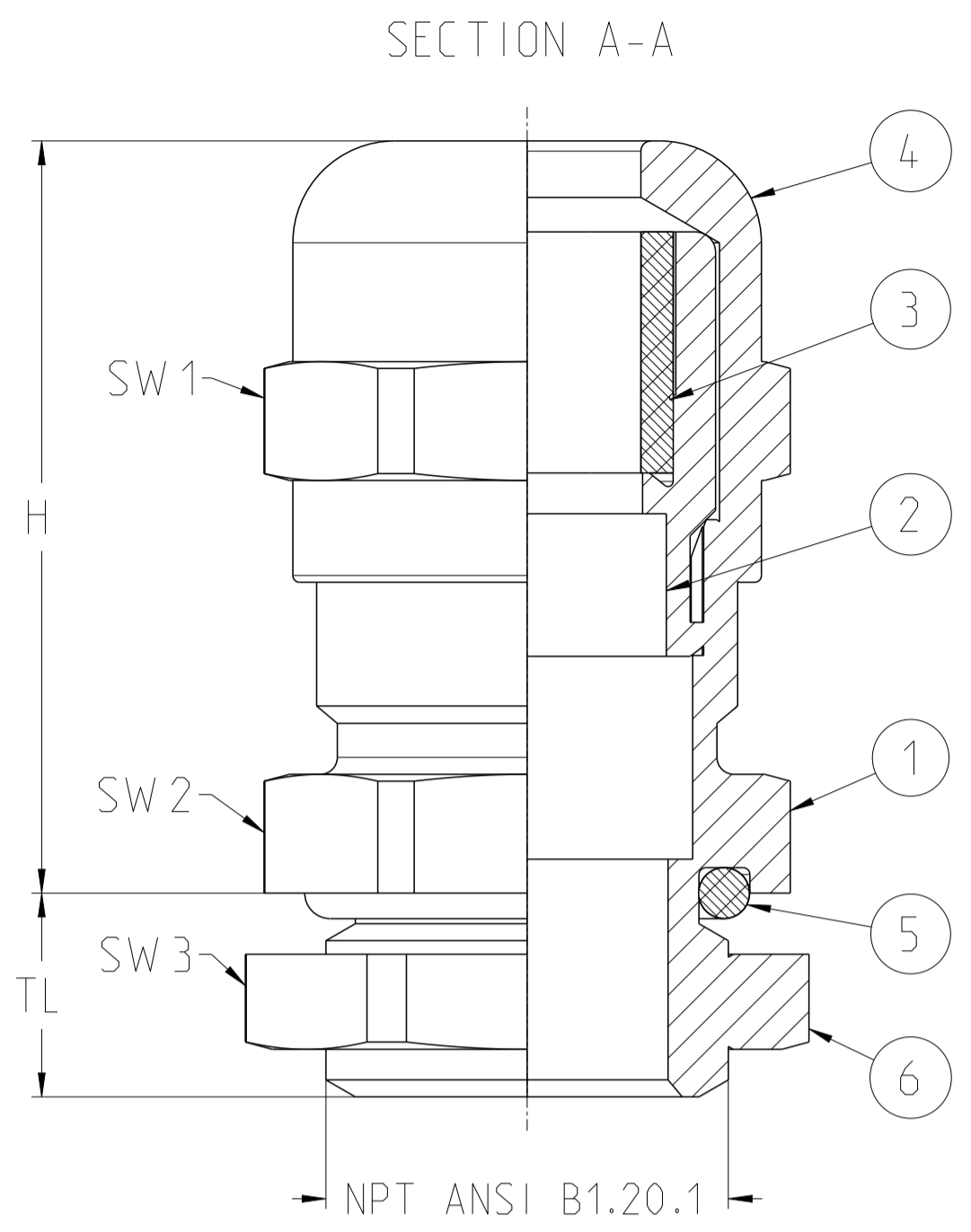


REVISIONS				
P	LTN	DESCRIPTION	DATE	APVD
A		INITIAL REVISION	22FEB2022	KR RM



TCPN	TE Product Type (Entrelec)	NPT ANSI B1.20.1	TL	H	ØD	SW 1	SW 2	SW 3	Clamping Range Ø min - max
1SNG625047R0000	EM-SGL-NPT12-MET-A	NPT 1/2"	13.0	25.6	24.5	22	22	24	5.0 - 9.0
1SNG625048R0000	EM-SGL-NPT12-MET-B	NPT 1/2"	13.0	25.5	24.5	22	22	24	6.0 - 12.0
1SNG625049R0000	EM-SGL-NPT12-MET-C	NPT 1/2"	13.0	28.0	26.8	24	24	24	7.0 - 12.0
1SNG625050R0000	EM-SGL-NPT12-MET-D	NPT 1/2"	13.0	28.0	26.8	24	24	24	10.0 - 14.0
1SNG625051R0000	EM-SGL-NPT34-MET-A	NPT 3/4"	13.0	36.0	33.0	30	30	34	9.0 - 16.0
1SNG625052R0000	EM-SGL-NPT34-MET-B	NPT 3/4"	13.0	36.0	33.0	30	30	34	13.0 - 18.0
1SNG625053R0000	EM-SGL-NPT1-MET-A	NPT 1"	13.0	43.6	48.5	40	43	42	12.0 - 20.0
1SNG625054R0000	EM-SGL-NPT1-MET-B	NPT 1"	13.0	43.6	48.5	40	43	42	18.0 - 25.0
1SNG625055R0000	EM-SGL-NPT114-MET-A	NPT 1 1/4"	25.6	47.8	55.5	50	50	52	22.0 - 32.0
1SNG625056R0000	EM-SGL-NPT112-MET-A	NPT 1 1/2"	26.0	48.9	64.0	58	58	60	30.0 - 38.0
1SNG625057R0000	EM-SGL-NPT2-MET-A	NPT 2"	27.0	52.8	70.0	64	64	74	34.0 - 44.0

6	1	LOCK NUT	-	Brass (Nickel plated)	-
5	1	O-RING	-	NBR	-
4	1	METAL GLAND CAP	-	Brass (Nickel plated)	-
3	1	SEAL	-	CR	-
2	1	PLASTIC INSERT	-	PA6 V2	-
1	1	METAL GLAND BODY	-	Brass (Nickel plated)	-
RPT	QTY	DOC TITLE	DRAWING NUMBER	MATERIAL	COMMENTS
THIS DRAWING IS A CONTROLLED DOCUMENT.		OWN: Rajan, N. Kasli	22FEB2022		
		CHK: Rafeeq, Mohd	22FEB2022		
		APVD: Rafeeq, Mohd	22FEB2022		
DIMENSIONS:		TOLERANCES UNLESS OTHERWISE SPECIFIED:	NAME: NPT-STD-GLAND-BRASS-LN		
mm	0 PLC ±	1 PLC ±	PRODUCT SPEC: NPT-STD-GLAND-BRASS-LN		
	2 PLC ±	3 PLC ±	APPLICATION SPEC: NPT-STD-GLAND-BRASS-LN		
	4 PLC ±	ANGLES ±	SIZE: CAGE CODE: DRAWING NO: RESTRICTED TO		
MATERIAL REF. TABLE	FINISH REF. TABLE	WEIGHT	A   00779 ©=1SNP061343-0100		-
CUSTOMER DRAWING		SCALE: 5:1	SHEET 1 OF 1	REV: A1	