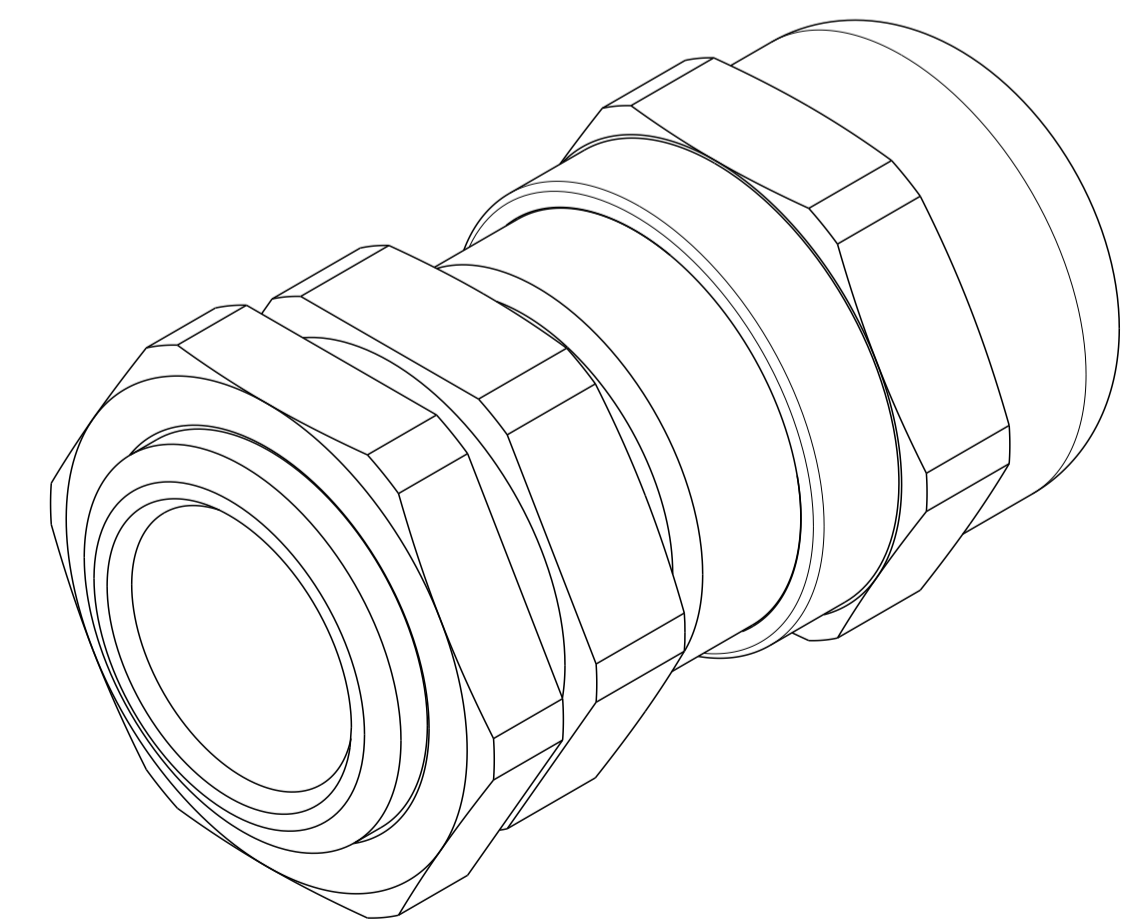
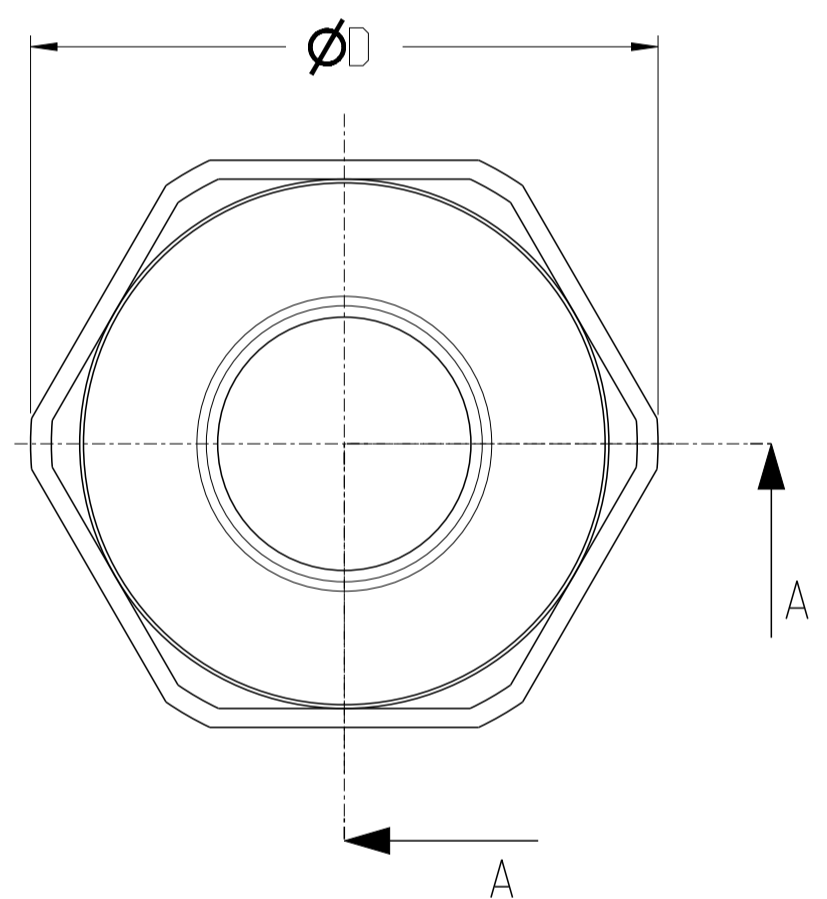
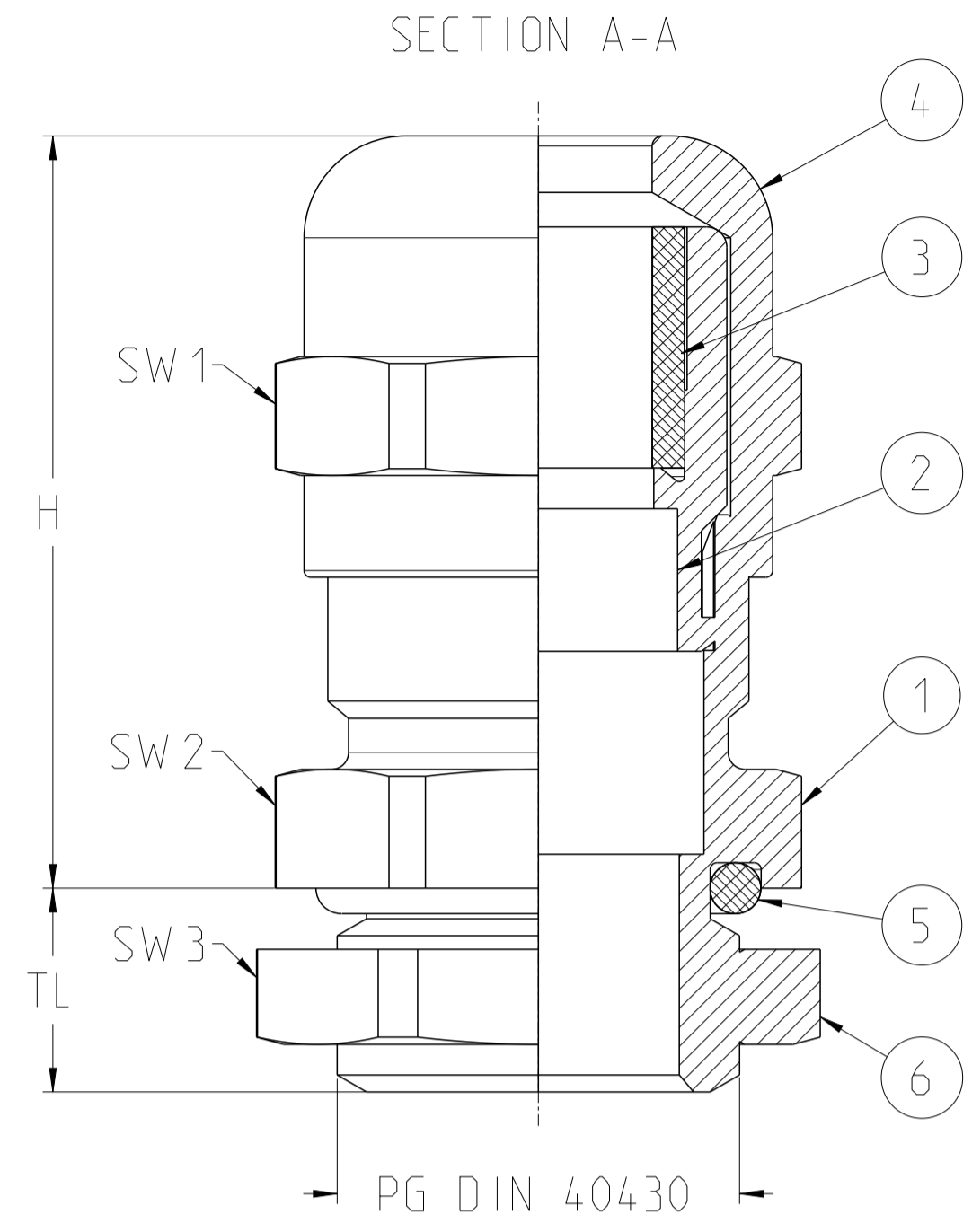


REVISIONS				
P	LTN	DESCRIPTION	DATE	APVD
A		INITIAL REVISION	22FEB2022	KR RM



TCPN	TE Product Type (Entrelec)	PG DIN 40430	TL	H	D	SW 1	SW 2	SW 3	Clamping Range min - max
1SNG625058R0000	EM-SGL-PG9-MET-A	PG 9	6.0	23.3	18.9	17	17	18	2.0 - 6.0
1SNG625059R0000	EM-SGL-PG9-MET-B	PG 9	10.0	23.3	18.9	17	17	18	2.0 - 6.0
1SNG625060R0000	EM-SGL-PG9-MET-C	PG 9	6.0	23.3	18.9	17	17	18	4.0 - 8.0
1SNG625061R0000	EM-SGL-PG9-MET-D	PG 9	10.0	23.3	18.9	17	17	18	4.0 - 8.0
1SNG625062R0000	EM-SGL-PG11-MET-A	PG 11	6.0	25.9	22.0	20	20	21	3.0 - 7.0
1SNG625063R0000	EM-SGL-PG11-MET-B	PG 11	10.0	25.9	22.0	20	20	21	3.0 - 7.0
1SNG625064R0000	EM-SGL-PG11-MET-C	PG 11	6.0	25.9	22.0	20	20	21	5.0 - 10.0
1SNG625065R0000	EM-SGL-PG11-MET-D	PG 11	10.0	25.9	22.0	20	20	21	5.0 - 10.0
1SNG625066R0000	EM-SGL-PG135-MET-A	PG 13.5	6.5	24.5	24.5	22	22	23	5.0 - 9.0
1SNG625067R0000	EM-SGL-PG135-MET-B	PG 13.5	10.0	24.5	24.5	22	22	23	5.0 - 9.0
1SNG625068R0000	EM-SGL-PG135-MET-C	PG 13.5	6.5	24.5	24.5	22	22	23	6.0 - 12.0
1SNG625069R0000	EM-SGL-PG135-MET-D	PG 13.5	10.0	24.5	24.5	22	22	23	6.0 - 12.0
1SNG625070R0000	EM-SGL-PG16-MET-A	PG 16	6.5	28.0	26.5	24	24	26	7.0 - 12.0
1SNG625071R0000	EM-SGL-PG16-MET-B	PG 16	10.0	28.0	26.5	24	24	26	7.0 - 12.0
1SNG625072R0000	EM-SGL-PG16-MET-C	PG 16	6.5	28.0	26.5	24	24	26	10.0 - 14.0
1SNG625073R0000	EM-SGL-PG16-MET-D	PG 16	10.0	28.0	26.5	24	24	26	10.0 - 14.0
1SNG625074R0000	EM-SGL-PG21-MET-A	PG 21	7.2	32.8	33.0	30	30	32	9.0 - 16.0
1SNG625075R0000	EM-SGL-PG21-MET-B	PG 21	12.0	32.8	33.0	30	30	32	9.0 - 16.0
1SNG625076R0000	EM-SGL-PG21-MET-C	PG 21	7.2	32.8	33.0	30	30	32	13.0 - 18.0
1SNG625077R0000	EM-SGL-PG21-MET-D	PG 21	12.0	32.8	33.0	30	30	32	13.0 - 18.0
1SNG625078R0000	EM-SGL-PG29-MET-A	PG 29	8.0	38.6	44.5	40	40	41	12.0 - 20.0
1SNG625079R0000	EM-SGL-PG29-MET-B	PG 29	12.0	38.6	44.5	40	40	41	12.0 - 20.0
1SNG625080R0000	EM-SGL-PG29-MET-C	PG 29	8.0	38.6	44.5	40	40	41	18.0 - 25.0
1SNG625081R0000	EM-SGL-PG29-MET-D	PG 29	12.0	38.6	44.5	40	40	41	18.0 - 25.0

6	1	LOCK NUT	-	Brass (Nickel plated)	-
5	1	O-RING	-	NBR	-
4	1	METAL GLAND CAP	-	Brass (Nickel plated)	-
3	1	SEAL	-	CR	-
2	1	PLASTIC INSERT	-	PA6 V2	-
1	1	METAL GLAND BODY	-	Brass (Nickel plated)	-
RPT	QTY	DOC TITLE	DRAWING NUMBER	MATERIAL	COMMENTS
THIS DRAWING IS A CONTROLLED DOCUMENT.		OWN: Rajan, N. Kas...	22FEB2022		
		CHK: Rafeeq, Mohd	22FEB2022		
		APVD: Rafeeq, Mohd	22FEB2022		
DIMENSIONS: mm		TOLERANCES UNLESS OTHERWISE SPECIFIED:			
		0 PLC ±			
		1 PLC ±			
		2 PLC ±			
		3 PLC ±			
		4 PLC ±			
		ANGLES			
MATERIAL FINISH		REF. TABLE	WEIGHT		
REF. TABLE		REF. TABLE	WEIGHT		
			CUSTOMER DRAWING		
			SCALE 5:1	SHEET 1 OF 1	REV A1