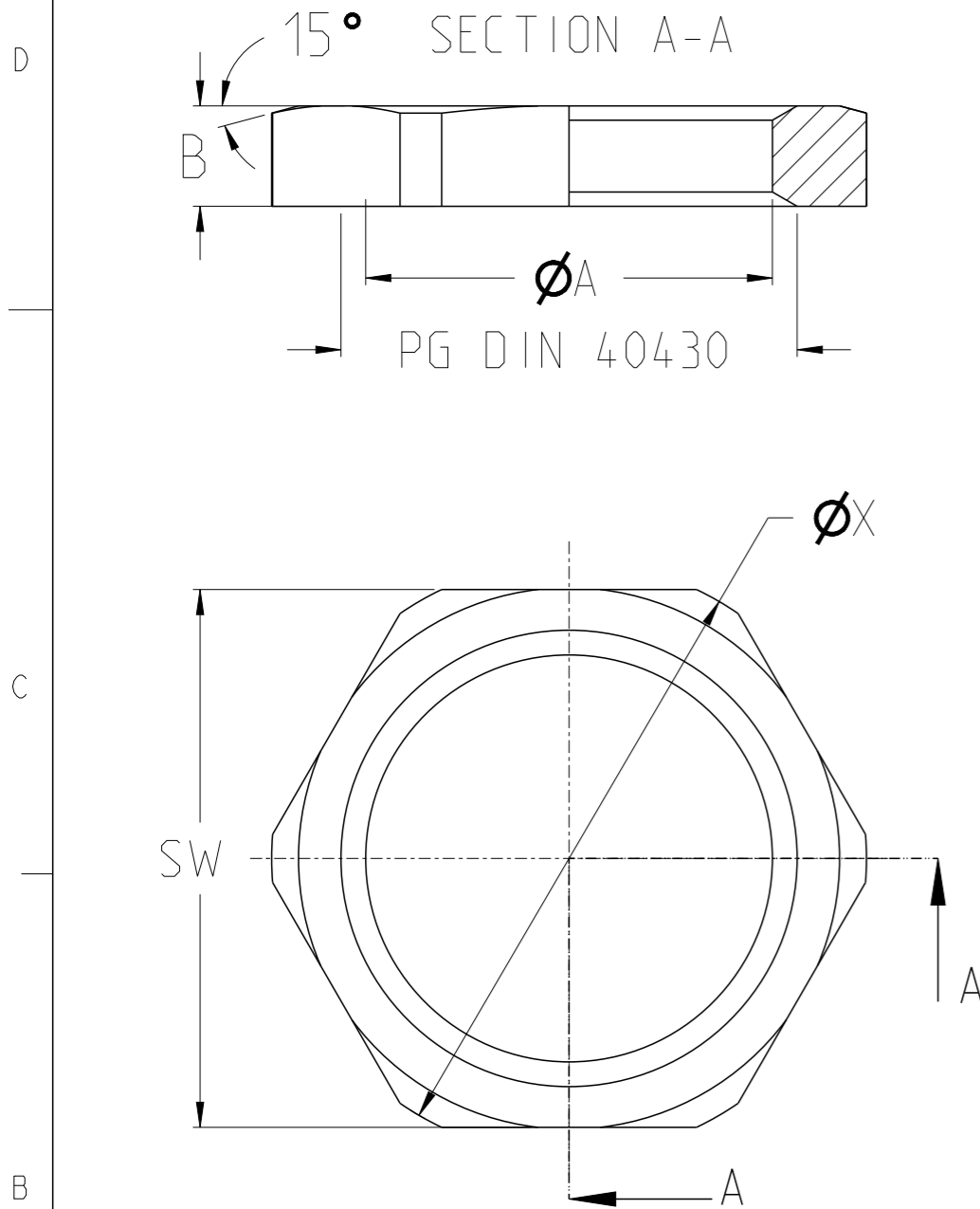
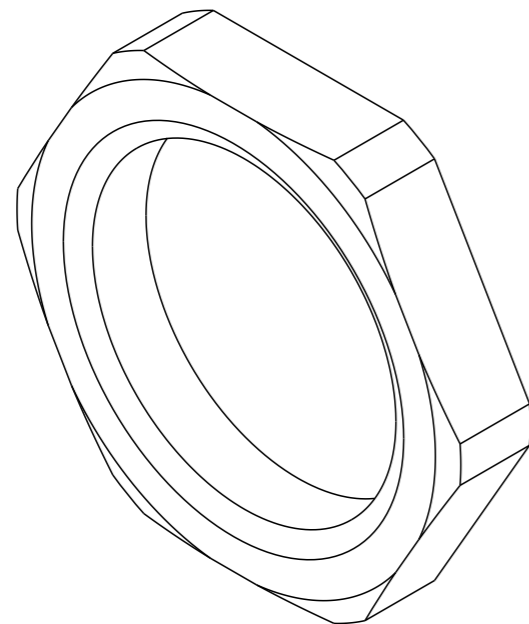


P	LTR	DESCRIPTION	DATE	DWN	APVD
	A	INITIAL REVISION	16FEB2022	GN	RM



TCPN	TE Product Type (Entrelec)	PG DIN 40430	ØA	B	ØX	SW
1SNG608017R0000	EM-LN-PG7-MET-A	PG 7	11.28 - 11.43	2.8	16.6	15
1SNG608018R0000	EM-LN-PG9-MET-A	PG 9	13.86 - 14.01	2.8	20.0	18
1SNG608019R0000	EM-LN-PG11-MET-A	PG 11	17.26 - 17.41	3.0	23.5	21
1SNG608020R0000	EM-LN-PG135-MET-A	PG 13.5	19.06 - 19.21	3.0	23.5	23
1SNG608021R0000	EM-LN-PG16-MET-A	PG 16	21.16 - 21.31	3.0	29.0	26
1SNG608022R0000	EM-LN-PG21-MET-A	PG 21	26.78 - 27.03	3.5	35.5	32
1SNG608023R0000	EM-LN-PG29-MET-A	PG 29	35.48 - 35.73	4.0	45.0	41
1SNG608024R0000	EM-LN-PG36-MET-A	PG 36	45.48 - 45.73	5.0	56.0	51
1SNG608025R0000	EM-LN-PG42-MET-A	PG 42	52.48 - 52.73	5.0	66.0	60
1SNG608026R0000	EM-LN-PG48-MET-A	PG 48	57.78 - 58.03	5.5	70.5	64



THIS DRAWING IS A CONTROLLED DOCUMENT.		DWN N Hunashikatti, Girish 16FEB2022														
DIMENSIONS: mm		CHK Rajan n. Kasi 16FEB2022														
TOLERANCES UNLESS OTHERWISE SPECIFIED:		APVD Rafeeq. Mohd 16FEB2022	NAME PG-LOCK-NUT-METAL													
<table border="1"> <tr> <td>0 PLC</td> <td>±0</td> </tr> <tr> <td>1 PLC</td> <td>±1</td> </tr> <tr> <td>2 PLC</td> <td>±1</td> </tr> <tr> <td>3 PLC</td> <td>±1</td> </tr> <tr> <td>4 PLC</td> <td>±1</td> </tr> <tr> <td>ANGLES</td> <td>±</td> </tr> </table>		0 PLC	±0	1 PLC	±1	2 PLC	±1	3 PLC	±1	4 PLC	±1	ANGLES	±	PRODUCT SPEC PG-LOCK-NUT-METAL	RESTRICTED TO	
0 PLC	±0															
1 PLC	±1															
2 PLC	±1															
3 PLC	±1															
4 PLC	±1															
ANGLES	±															
MATERIAL Brass		FINISH Nickel Plated	APPLICATION SPEC -	SIZE A3												
		WEIGHT -	CAGE CODE 00779	DRAWING NO 1SNP061323-0100												
		CUSTOMER DRAWING	SCALE 5:1	SHEET 1 OF 1												
				REV A1												