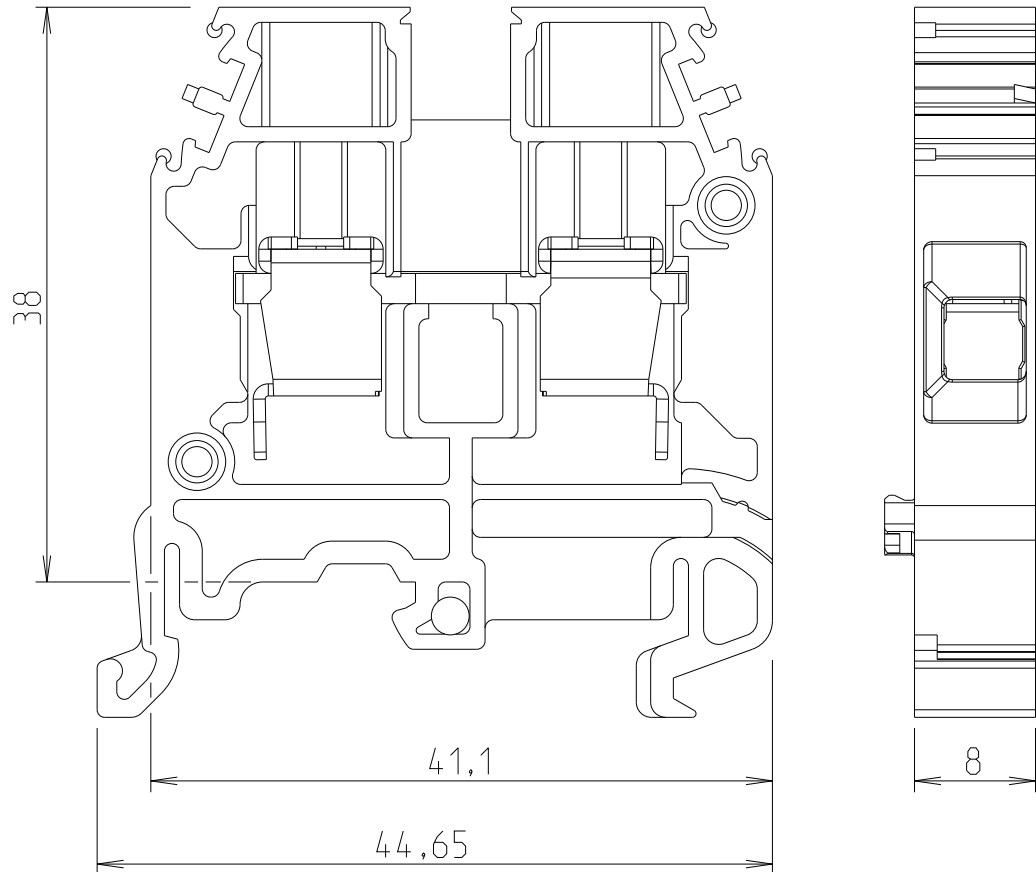


REVISIONS

P	LTR	DESCRIPTION	DATE	DWN	APVD
	A	First Released	03JAN2023	VR	VR



© 2023 TE Connectivity. All Rights Reserved.

DIMENSIONS: mm	DWN Villard, Romain	2023	MATERIAL PA	FINISH -							
	CHK										
TOLERANCES UNLESS OTHERWISE SPECIFIED:	APVD				NAME M6/8 1SNA105004R2200						
	PRODUCT SPEC	-	SIZE	CAGE CODE	DRAWING NO	RESTRICTED TO					
	APPLICATION SPEC	-	A 4	00779	©=1SNP058596-0102						
0 PLC ± 1 PLC ±0,1 2 PLC ±0,01 3 PLC ±0,001 4 PLC ±0,0001 ANGLES ±	WEIGHT	13,518	CUSTOMER DRAWING			SCALE	2:1	SHEET	1 OF 1	REV	A