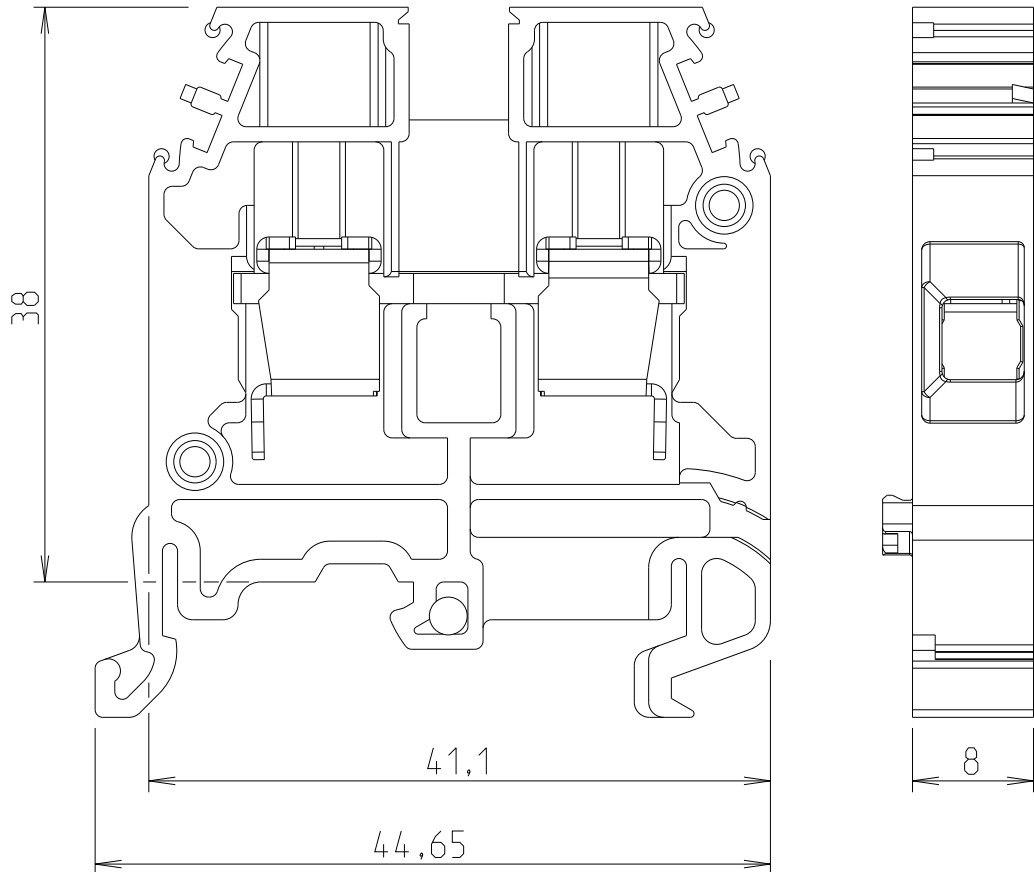

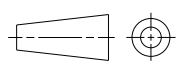


REVISIONS

P	LTR	DESCRIPTION	DATE	DWN	APVD
	A	First Released	03JAN2023	VR	VR



© 2023 TE Connectivity. All Rights Reserved.

DIMENSIONS: mm	DWN Villard, Romain	2023	MATERIAL PA	FINISH -	
	CHK		 TE Connectivity		
TOLERANCES UNLESS OTHERWISE SPECIFIED:	APVD				NAME M6/8 1SNA115118R1100
	PRODUCT SPEC	-	SIZE A 4	CAGE CODE 00779	DRAWING NO C-1SNP058596-0100
	APPLICATION SPEC	-	RESTRICTED TO		
0 PLC ± 1 PLC ±0.1 2 PLC ±0.01 3 PLC ±0.001 4 PLC ±0.0001 ANGLES ±	WEIGHT 13,518				
	CUSTOMER DRAWING	SCALE 2:1	SHEET 1 OF 1	REV A	