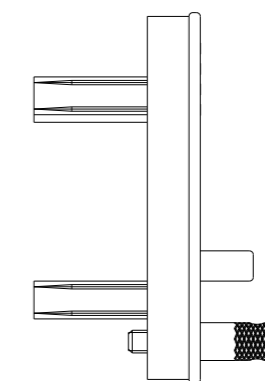
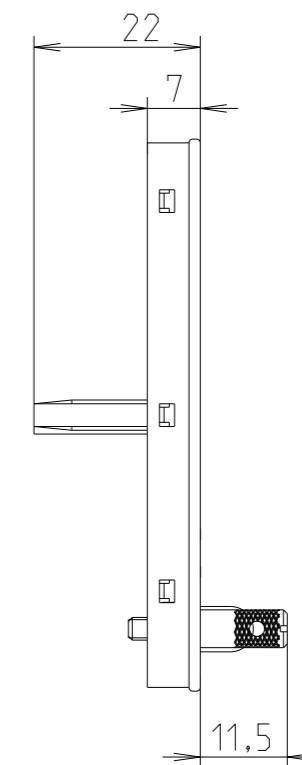
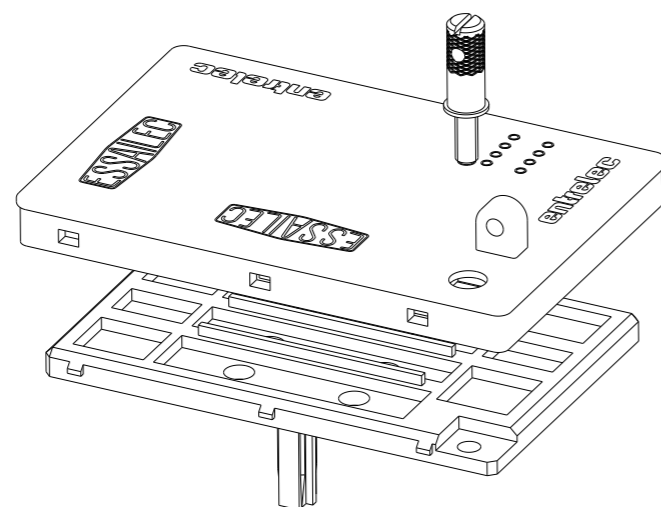


REVISIONS

P	LTR	DESCRIPTION	DATE	DWN	APVD
	A	First released	05JAN2023	VR	VR



THIS DRAWING IS A CONTROLLED DOCUMENT.		DWN Villard, Romain 2023		
DIMENSIONS: mm		CHK		
		APVD	NAME CPT-1 1SNA166646R0500	
TOLERANCES UNLESS OTHERWISE SPECIFIED:		PRODUCT SPEC	-	
0 PLC ±		APPLICATION SPEC	-	
1 PLC ±0,1		WEIGHT	15,153	RESTRICTED TO
2 PLC ±0,01		SIZE	A3	CAGE CODE
3 PLC ±0,001		DRAWING NO	C=1SNP055910-0105	
4 PLC ±0,0001		SCALE	1:1	SHEET
ANGLES ±		FINISH	1 OF 1	REV
MATERIAL PC		CUSTOMER DRAWING	A	