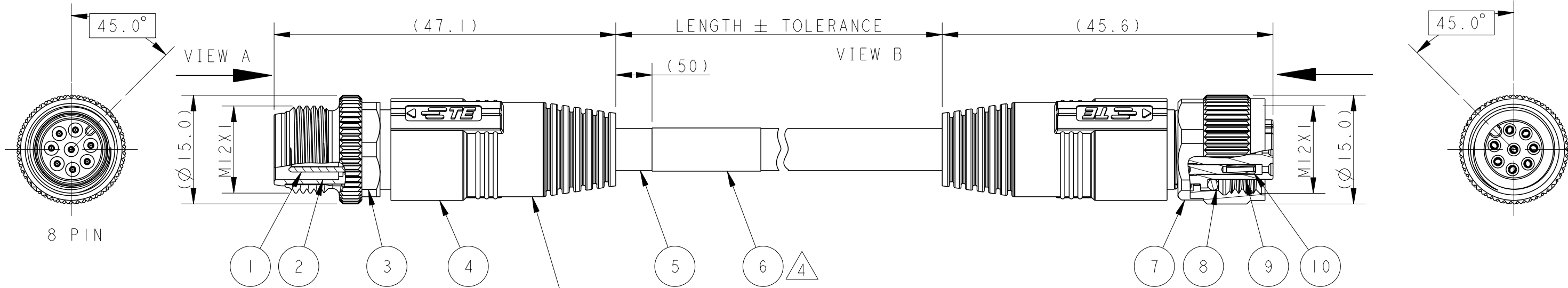
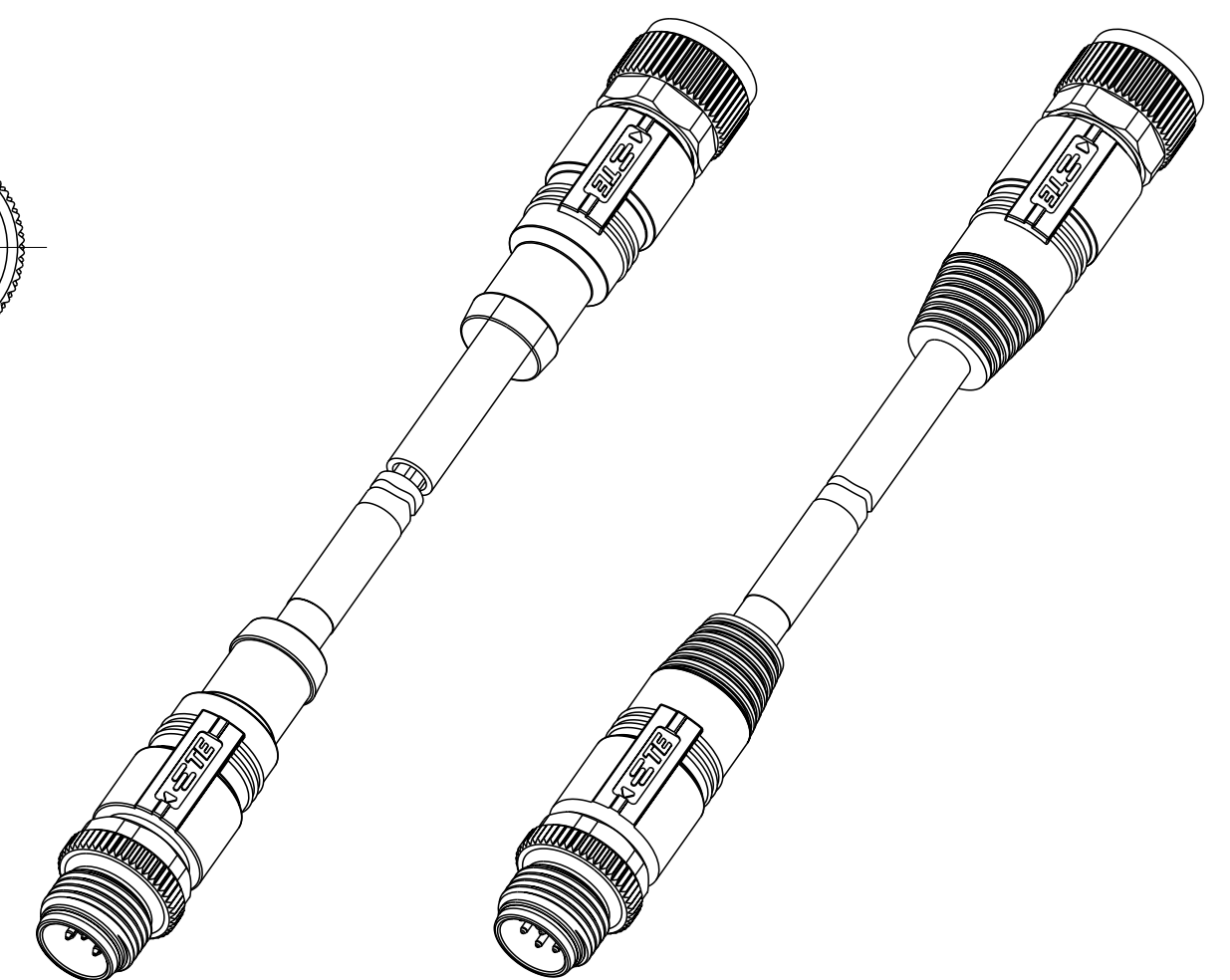


REVISIONS					
P	LTR	DESCRIPTION	DATE	DWN	APVD
	A	INITIAL RELEASE	25APR2021	BP	CW

(T41621X3*) M12 ST MALE TO M12 ST FEMALE DOUBLE ENDED CABLE ASSEMBLY (Shielded)



ITEM	DESCRIPTION	MATERIAL	OTHERS
1	MALE CONTACT	COPPER ALLOY	FLASH GOLD
2	MALE HOUSING	NYLON	BLACK
3	MALE NUT	COPPER ALLOY	NICKEL PLATED
4	OVER-MOLDING	POLYURETHANE	BLUE
5	CABLE	1=PVC 2=PUR	PVC:BLACK PUR:GRAY
6	LABEL	-	-
7	FEMALE NUT	COPPER ALLOY	NICKEL PLATED
8	O-RING	SILICONE	GRAY
9	FEMALE HOUSING	NYLON	BLACK
10	FEMALE CONTACT	COPPER ALLOY	FLASH GOLD



PN	T41621X3002-XXX	T41621X3003-XXX	T41621X3004-XXX	T41621X3005-XXX	T41621X3008-XXX
VIEW A					
VIEW B					
WIRING DIAGRAM	PIN WIRE	PIN WIRE	PIN WIRE	PIN WIRE	PIN WIRE
	1 BROWN	1 BROWN	1 BROWN	1 BROWN	1 WHITE
	2 ---	2 ---	2 WHITE	2 WHITE	2 BROWN
	3 BLUE	3 BLUE	3 BLUE	3 BLUE	3 GREEN
	4 ---	4 BLACK	4 BLACK	4 BLACK	4 YELLOW
5 ---	5 ---	5 ---	5 GREY	5 GREY	
				6 PINK	
				7 BLUE	
				8 RED	

TECHNICAL DATA					
	T41621X3002-XXX	T41621X3003-XXX	T41621X3004-XXX	T41621X3005-XXX	T41621X3008-XXX
RATED VOLTAGE		250V		60V	30V
RATED IMPULSE VOLTAGE		2500V		1500V	800V
RATED CURRENT			4A		2A
POLLUTION DEGREE			3		
OVERVOLTAGE CATEGORY			II		
MATERIAL GROUP			II		
DEGREE OF PROTECTION			IP67		

THIS DRAWING IS A CONTROLLED DOCUMENT.

DWN: BLAZE PENG (10APR2021)
 CHK: KEVIN HUANG (10APR2021)
 APVD: CHRIS WANG (10APR2021)

ENTRELEC
Electrical Solutions

NAME: M12 CABLE ASSEMBLY DOUBLE END SHIELDED

PRODUCT SPEC: 108-106140
 APPLICATION SPEC: 114-137144

SIZE: A2 CAGE CODE: 00779 DRAWING NO: C-1SET311C04R0000 RESTRICTED TO: -

WEIGHT: - SCALE: 1:1 SHEET: 1 OF 5 REV: A

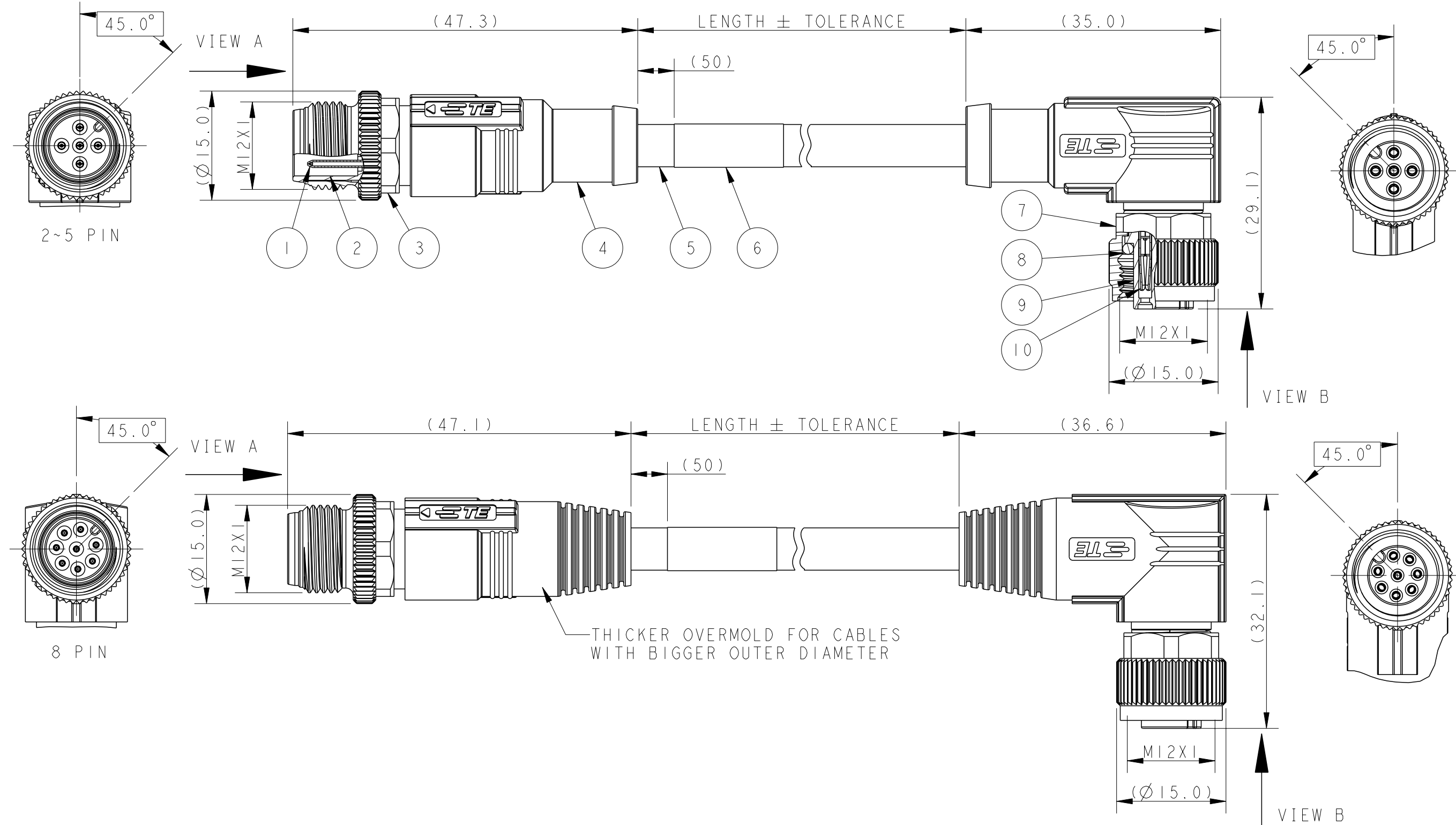
CUSTOMER DRAWING

CODING REQUIRED TO IEC 61076-2-101

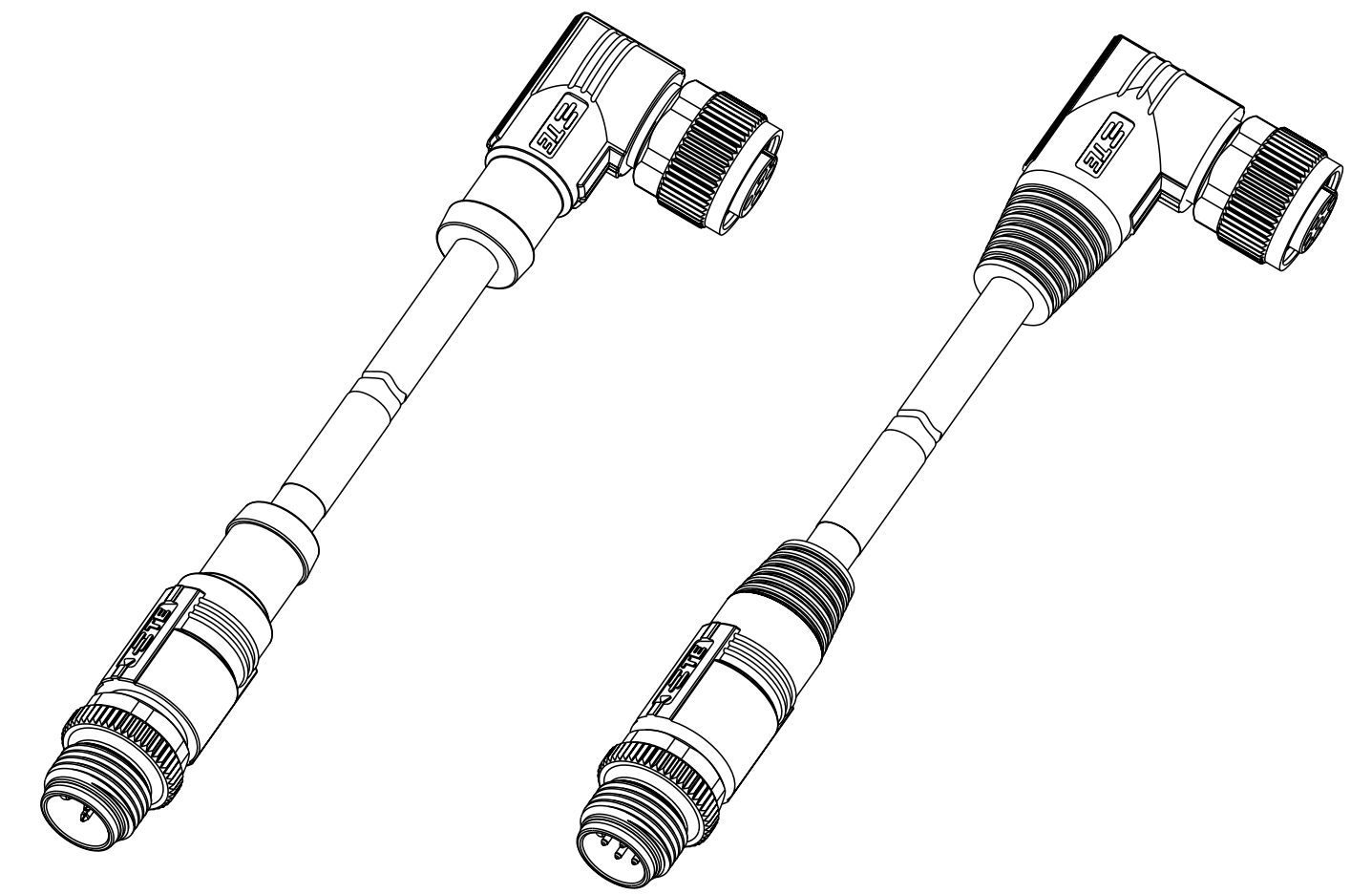
THIS DRAWING IS UNPUBLISHED. 2021 TE Connectivity. All Rights Reserved. RELEASED FOR PUBLICATION ALL RIGHTS RESERVED. COPYRIGHT

REVISIONS					
P	LTR	DESCRIPTION	DATE	DWN	APVD
		SEE SHEET 1			

(T41621X4*) M12 ST MALE TO M12 R/A FEMALE DOUBLE ENDED CABLE ASSEMBLY (Shielded)



ITEM	DESCRIPTION	MATERIAL	OTHERS
1	MALE CONTACT	COPPER ALLOY	FLASH GOLD
2	MALE HOUSING	NYLON	BLACK
3	MALE NUT	COPPER ALLOY	NICKEL PLATED
4	OVER-MOLDING	POLYURETHANE	BLUE
5	CABLE	1=PVC 2=PUR	PVC:BLACK PUR:GRAY
6	LABEL	-	-
7	FEMALE NUT	COPPER ALLOY	NICKEL PLATED
8	O-RING	SILICONE	GRAY
9	FEMALE HOUSING	NYLON	BLACK
10	FEMALE CONTACT	COPPER ALLOY	FLASH GOLD



PN	T41621X4002-XXX	T41621X4003-XXX	T41621X4004-XXX	T41621X4005-XXX	T41621X4008-XXX
VIEW A					
VIEW B					
WIRING DIAGRAM	PIN WIRE	PIN WIRE	PIN WIRE	PIN WIRE	PIN WIRE
	1 BROWN	1 BROWN	1 BROWN	1 BROWN	1 WHITE
	2 ---	2 ---	2 WHITE	2 WHITE	2 BROWN
	3 BLUE	3 BLUE	3 BLUE	3 BLUE	3 GREEN
	4 ---	4 BLACK	4 BLACK	4 BLACK	4 YELLOW
5 ---	5 ---	5 ---	5 GREY	5 GREY	
					6 PINK
					7 BLUE
					8 RED

TECHNICAL DATA					
	T41621X4002-XXX	T41621X4003-XXX	T41621X4004-XXX	T41621X4005-XXX	T41621X4008-XXX
RATED VOLTAGE		250V		60V	30V
RATED IMPULSE VOLTAGE		2500V		1500V	800V
RATED CURRENT			4A		2A
POLLUTION DEGREE			3		
OVERVOLTAGE CATEGORY			II		
MATERIAL GROUP			II		
DEGREE OF PROTECTION			IP67		

THIS DRAWING IS A CONTROLLED DOCUMENT.

DWN: BLAZE PENG 10APR2021
 CHK: KEVIN HUANG 10APR2021
 APVD: CHRIS WANG 10APR2021

ENTRELEC
Electrical Solutions

NAME: M12 CABLE ASSEMBLY DOUBLE END SHIELDED

PRODUCT SPEC: 108-106140
 APPLICATION SPEC: 114-137144

SIZE: A2 CAGE CODE: 00779 DRAWING NO: C-1SET311C04R0000 RESTRICTED TO: -
 WEIGHT: - SCALE: 1:1 SHEET: 2 OF 5 REV: A

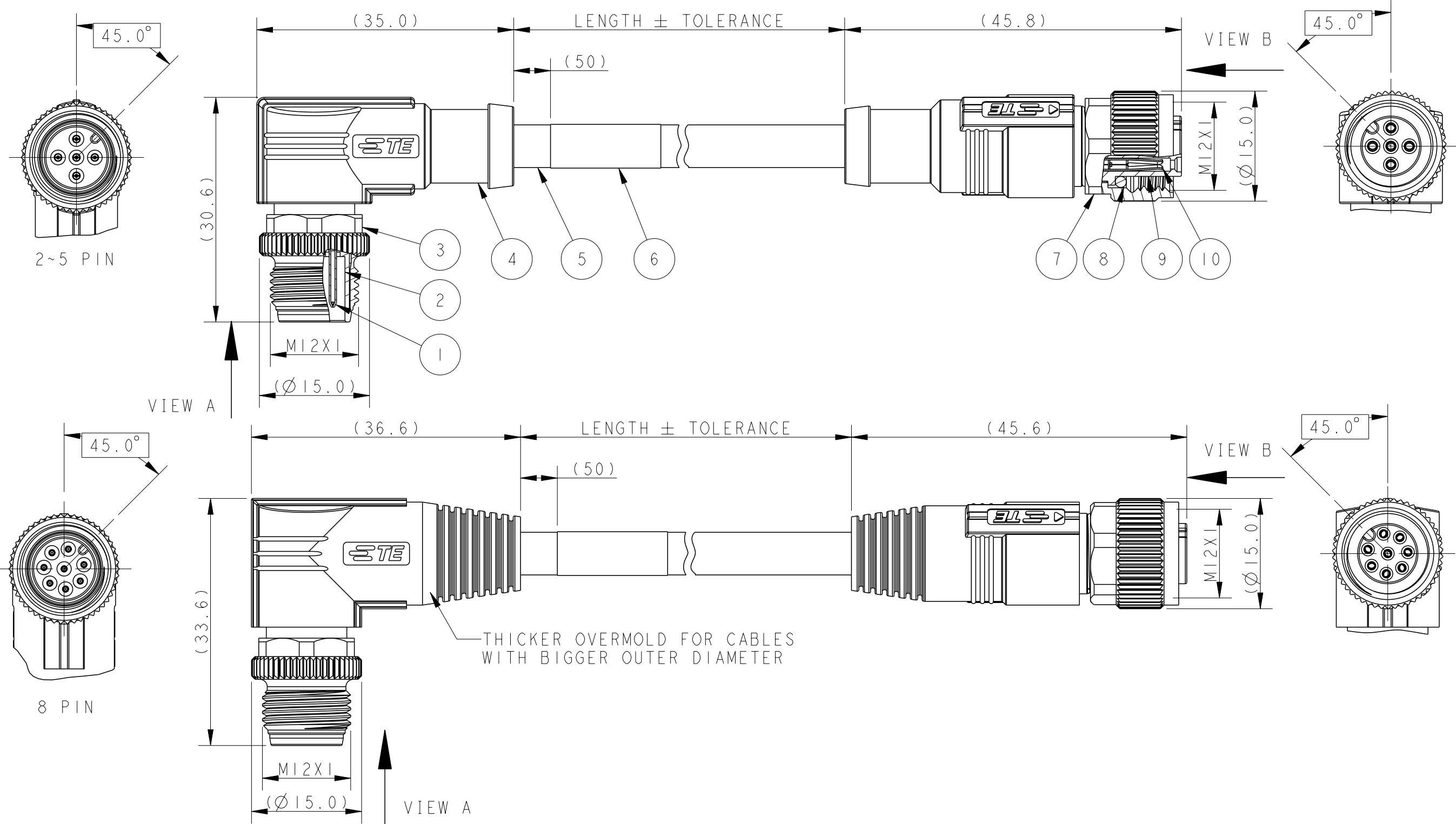
CUSTOMER DRAWING

CODING REQUIRED TO IEC 61076-2-101

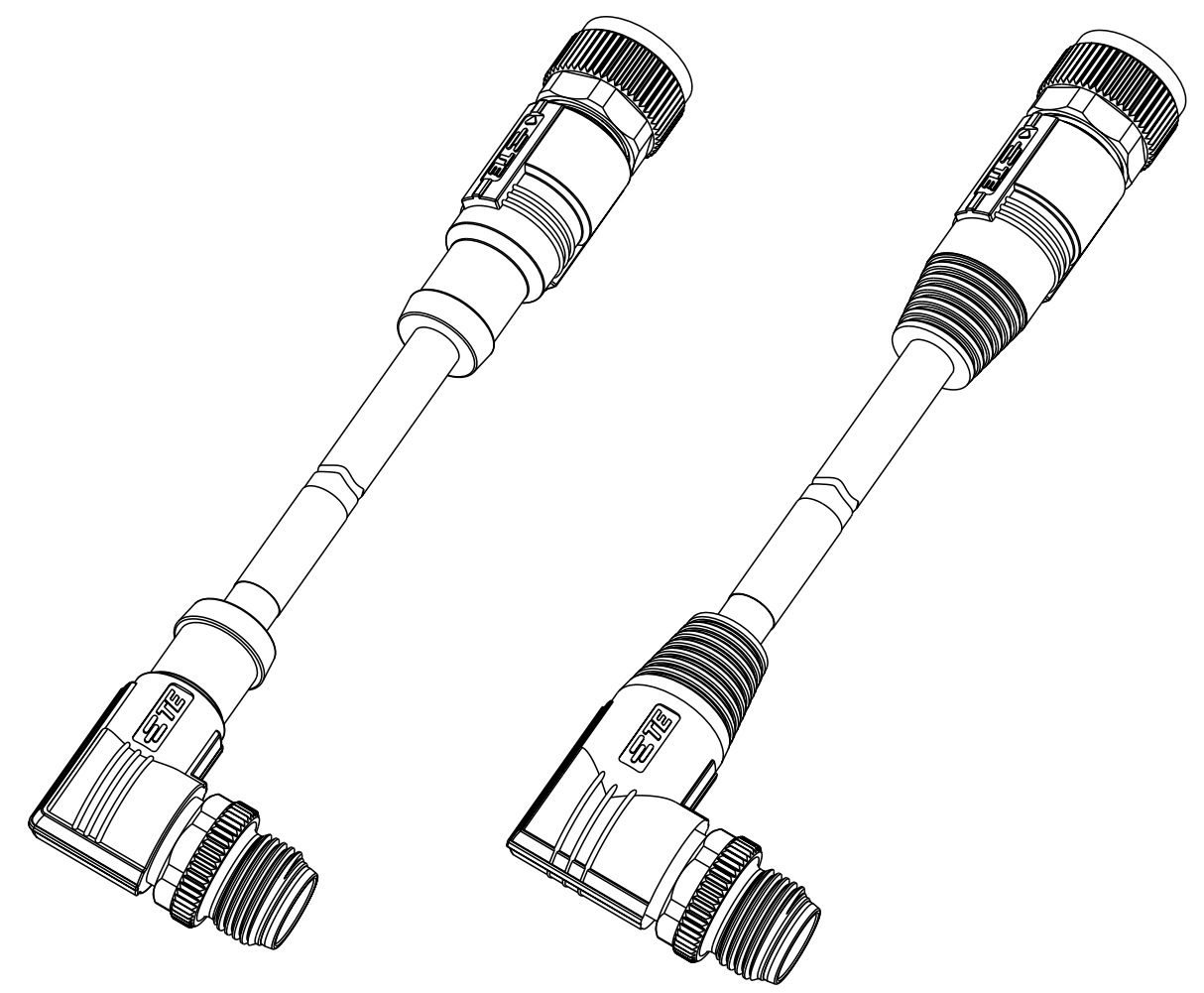
THIS DRAWING IS UNPUBLISHED. 2021 IE Connectivity. All Rights Reserved. RELEASED FOR PUBLICATION ALL RIGHTS RESERVED. COPYRIGHT

REVISIONS				
P	LTR	DESCRIPTION	DATE	APVD
		SEE SHEET 1		

(T41622X3*) M12 R/A MALE TO M12 ST FEMALE DOUBLE ENDED CABLE ASSEMBLY (Shielded)



ITEM	DESCRIPTION	MATERIAL	OTHERS
1	MALE CONTACT	COPPER ALLOY	FLASH GOLD
2	MALE HOUSING	NYLON	BLACK
3	MALE NUT	COPPER ALLOY	NICKEL PLATED
4	OVER-MOLDING	POLYURETHANE	BLUE
5	CABLE	1=PVC 2=PUR	PVC:BLACK PUR:GRAY
6	LABEL	-	-
7	FEMALE NUT	COPPER ALLOY	NICKEL PLATED
8	O-RING	SILICONE	GRAY
9	FEMALE HOUSING	NYLON	BLACK
10	FEMALE CONTACT	COPPER ALLOY	FLASH GOLD



PN	T41622X3002-XXX	T41622X3003-XXX	T41622X3004-XXX	T41622X3005-XXX	T41622X3008-XXX																																																																								
VIEW A																																																																													
VIEW B																																																																													
WIRING DIAGRAM	<table border="1"> <tr><th>PIN</th><th>WIRE</th></tr> <tr><td>1</td><td>BROWN</td></tr> <tr><td>2</td><td>---</td></tr> <tr><td>3</td><td>BLUE</td></tr> <tr><td>4</td><td>---</td></tr> <tr><td>5</td><td>---</td></tr> </table>	PIN	WIRE	1	BROWN	2	---	3	BLUE	4	---	5	---	<table border="1"> <tr><th>PIN</th><th>WIRE</th></tr> <tr><td>1</td><td>BROWN</td></tr> <tr><td>2</td><td>---</td></tr> <tr><td>3</td><td>BLUE</td></tr> <tr><td>4</td><td>BLACK</td></tr> <tr><td>5</td><td>---</td></tr> </table>	PIN	WIRE	1	BROWN	2	---	3	BLUE	4	BLACK	5	---	<table border="1"> <tr><th>PIN</th><th>WIRE</th></tr> <tr><td>1</td><td>BROWN</td></tr> <tr><td>2</td><td>WHITE</td></tr> <tr><td>3</td><td>BLUE</td></tr> <tr><td>4</td><td>BLACK</td></tr> <tr><td>5</td><td>---</td></tr> </table>	PIN	WIRE	1	BROWN	2	WHITE	3	BLUE	4	BLACK	5	---	<table border="1"> <tr><th>PIN</th><th>WIRE</th></tr> <tr><td>1</td><td>BROWN</td></tr> <tr><td>2</td><td>WHITE</td></tr> <tr><td>3</td><td>BLUE</td></tr> <tr><td>4</td><td>BLACK</td></tr> <tr><td>5</td><td>GREY</td></tr> <tr><td>6</td><td>---</td></tr> <tr><td>7</td><td>---</td></tr> <tr><td>8</td><td>---</td></tr> </table>	PIN	WIRE	1	BROWN	2	WHITE	3	BLUE	4	BLACK	5	GREY	6	---	7	---	8	---	<table border="1"> <tr><th>PIN</th><th>WIRE</th></tr> <tr><td>1</td><td>WHITE</td></tr> <tr><td>2</td><td>BROWN</td></tr> <tr><td>3</td><td>GREEN</td></tr> <tr><td>4</td><td>YELLOW</td></tr> <tr><td>5</td><td>GREY</td></tr> <tr><td>6</td><td>PINK</td></tr> <tr><td>7</td><td>BLUE</td></tr> <tr><td>8</td><td>RED</td></tr> </table>	PIN	WIRE	1	WHITE	2	BROWN	3	GREEN	4	YELLOW	5	GREY	6	PINK	7	BLUE	8	RED
PIN	WIRE																																																																												
1	BROWN																																																																												
2	---																																																																												
3	BLUE																																																																												
4	---																																																																												
5	---																																																																												
PIN	WIRE																																																																												
1	BROWN																																																																												
2	---																																																																												
3	BLUE																																																																												
4	BLACK																																																																												
5	---																																																																												
PIN	WIRE																																																																												
1	BROWN																																																																												
2	WHITE																																																																												
3	BLUE																																																																												
4	BLACK																																																																												
5	---																																																																												
PIN	WIRE																																																																												
1	BROWN																																																																												
2	WHITE																																																																												
3	BLUE																																																																												
4	BLACK																																																																												
5	GREY																																																																												
6	---																																																																												
7	---																																																																												
8	---																																																																												
PIN	WIRE																																																																												
1	WHITE																																																																												
2	BROWN																																																																												
3	GREEN																																																																												
4	YELLOW																																																																												
5	GREY																																																																												
6	PINK																																																																												
7	BLUE																																																																												
8	RED																																																																												
STANDARD	CODING REQUIRED TO IEC 61076-2-101																																																																												

TECHNICAL DATA					
	T41622X3002-XXX	T41622X3003-XXX	T41622X3004-XXX	T41622X3005-XXX	T41622X3008-XXX
RATED VOLTAGE		250V		60V	30V
RATED IMPULSE VOLTAGE		2500V		1500V	800V
RATED CURRENT			4A		2A
POLLUTION DEGREE			3		
OVERVOLTAGE CATEGORY			II		
MATERIAL GROUP			II		
DEGREE OF PROTECTION			IP67		

THIS DRAWING IS A CONTROLLED DOCUMENT.

DWN: BLAZE PENG 10APR2021
 CHK: KEVIN HUANG 10APR2021
 APVD: CHRIS WANG 10APR2021

ENTRELEC
Electrical Solutions

NAME: M12 CABLE ASSEMBLY DOUBLE END SHIELDED

PRODUCT SPEC: 108-106140
 APPLICATION SPEC: 114-137144

SIZE: A2 CAGE CODE: 00779 DRAWING NO: C-1SET311C04R0000 RESTRICTED TO: -
 WEIGHT: - SCALE: 1:1 SHEET: 3 OF 5 REV: A

CUSTOMER DRAWING

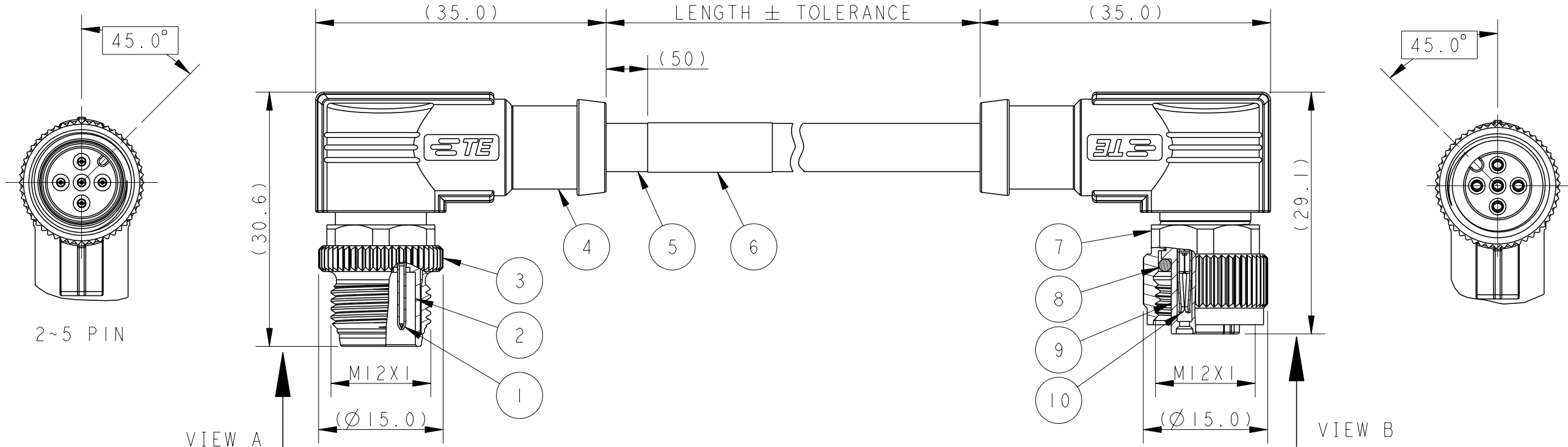
THIS DRAWING IS UNPUBLISHED.
2021 © Connectivty. All Rights Reserved.
COPYRIGHT

RELEASED FOR PUBLICATION
ALL RIGHTS RESERVED.

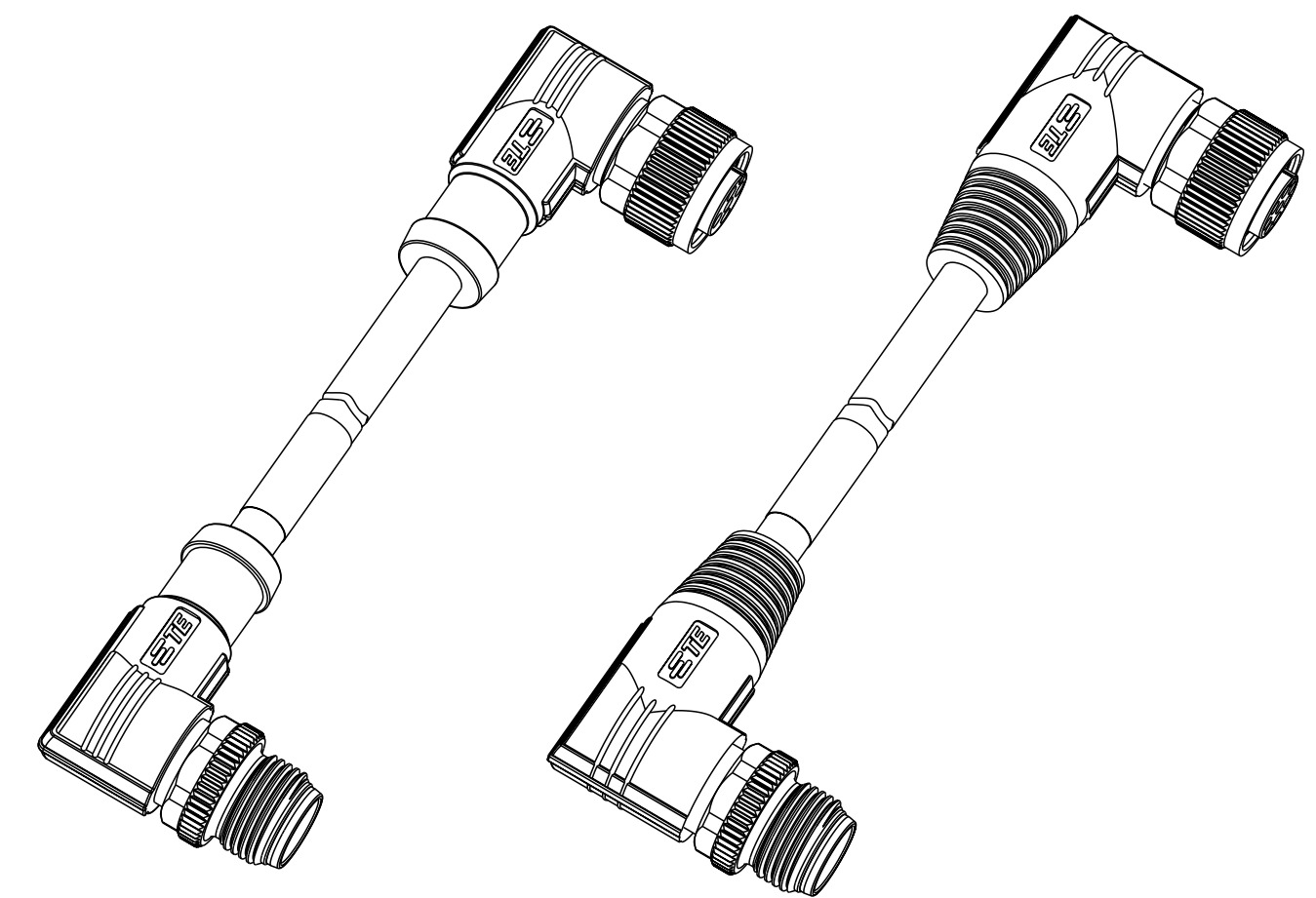
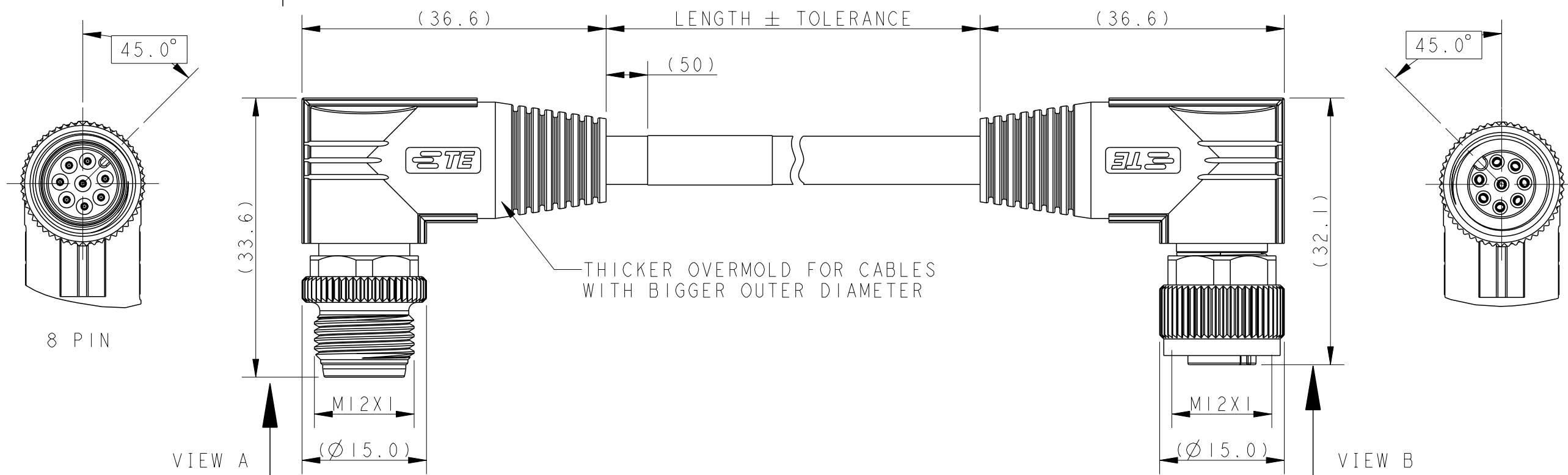
REVISIONS

P	LTR	DESCRIPTION	DATE	DWN	APVD
		SEE SHEET 1			

(T41622X4*) M12 R/A MALE TO M12 R/A FEMALE DOUBLE ENDED CABLE ASSEMBLY (Shielded)



ITEM	DESCRIPTION	MATERIAL	OTHERS
1	MALE CONTACT	COPPER ALLOY	FLASH GOLD
2	MALE HOUSING	NYLON	BLACK
3	MALE NUT	COPPER ALLOY	NICKEL PLATED
4	OVER-MOLDING	POLYURETHANE	BLUE
5	CABLE	1=PVC 2=PUR	PVC:BLACK PUR:GRAY
6	LABEL	-	-
7	FEMALE NUT	COPPER ALLOY	NICKEL PLATED
8	O-RING	SILICONE	GRAY
9	FEMALE HOUSING	NYLON	BLACK
10	FEMALE CONTACT	COPPER ALLOY	FLASH GOLD



PN	T41622X4002-XXX	T41622X4003-XXX	T41622X4004-XXX	T41622X4005-XXX	T41622X4008-XXX																																																																		
VIEW A																																																																							
VIEW B																																																																							
WIRING DIAGRAM	<table border="1"> <thead> <tr> <th>PIN</th> <th>WIRE</th> </tr> </thead> <tbody> <tr><td>1</td><td>BROWN</td></tr> <tr><td>2</td><td>---</td></tr> <tr><td>3</td><td>BLUE</td></tr> <tr><td>4</td><td>---</td></tr> <tr><td>5</td><td>---</td></tr> </tbody> </table>	PIN	WIRE	1	BROWN	2	---	3	BLUE	4	---	5	---	<table border="1"> <thead> <tr> <th>PIN</th> <th>WIRE</th> </tr> </thead> <tbody> <tr><td>1</td><td>BROWN</td></tr> <tr><td>2</td><td>---</td></tr> <tr><td>3</td><td>BLUE</td></tr> <tr><td>4</td><td>BLACK</td></tr> <tr><td>5</td><td>---</td></tr> </tbody> </table>	PIN	WIRE	1	BROWN	2	---	3	BLUE	4	BLACK	5	---	<table border="1"> <thead> <tr> <th>PIN</th> <th>WIRE</th> </tr> </thead> <tbody> <tr><td>1</td><td>BROWN</td></tr> <tr><td>2</td><td>WHITE</td></tr> <tr><td>3</td><td>BLUE</td></tr> <tr><td>4</td><td>BLACK</td></tr> <tr><td>5</td><td>---</td></tr> </tbody> </table>	PIN	WIRE	1	BROWN	2	WHITE	3	BLUE	4	BLACK	5	---	<table border="1"> <thead> <tr> <th>PIN</th> <th>WIRE</th> </tr> </thead> <tbody> <tr><td>1</td><td>BROWN</td></tr> <tr><td>2</td><td>WHITE</td></tr> <tr><td>3</td><td>BLUE</td></tr> <tr><td>4</td><td>BLACK</td></tr> <tr><td>5</td><td>GREY</td></tr> </tbody> </table>	PIN	WIRE	1	BROWN	2	WHITE	3	BLUE	4	BLACK	5	GREY	<table border="1"> <thead> <tr> <th>PIN</th> <th>WIRE</th> </tr> </thead> <tbody> <tr><td>1</td><td>WHITE</td></tr> <tr><td>2</td><td>BROWN</td></tr> <tr><td>3</td><td>GREEN</td></tr> <tr><td>4</td><td>YELLOW</td></tr> <tr><td>5</td><td>GREY</td></tr> <tr><td>6</td><td>PINK</td></tr> <tr><td>7</td><td>BLUE</td></tr> <tr><td>8</td><td>RED</td></tr> </tbody> </table>	PIN	WIRE	1	WHITE	2	BROWN	3	GREEN	4	YELLOW	5	GREY	6	PINK	7	BLUE	8	RED
PIN	WIRE																																																																						
1	BROWN																																																																						
2	---																																																																						
3	BLUE																																																																						
4	---																																																																						
5	---																																																																						
PIN	WIRE																																																																						
1	BROWN																																																																						
2	---																																																																						
3	BLUE																																																																						
4	BLACK																																																																						
5	---																																																																						
PIN	WIRE																																																																						
1	BROWN																																																																						
2	WHITE																																																																						
3	BLUE																																																																						
4	BLACK																																																																						
5	---																																																																						
PIN	WIRE																																																																						
1	BROWN																																																																						
2	WHITE																																																																						
3	BLUE																																																																						
4	BLACK																																																																						
5	GREY																																																																						
PIN	WIRE																																																																						
1	WHITE																																																																						
2	BROWN																																																																						
3	GREEN																																																																						
4	YELLOW																																																																						
5	GREY																																																																						
6	PINK																																																																						
7	BLUE																																																																						
8	RED																																																																						

TECHNICAL DATA	T41622X4002-XXX	T41622X4003-XXX	T41622X4004-XXX	T41622X4005-XXX	T41622X4008-XXX
RATED VOLTAGE		250V		60V	30V
RATED IMPULSE VOLTAGE		2500V		1500V	800V
RATED CURRENT			4A		2A
POLLUTION DEGREE			3		
OVERVOLTAGE CATEGORY			II		
MATERIAL GROUP			II		
DEGREE OF PROTECTION			IP67		

THIS DRAWING IS A CONTROLLED DOCUMENT.

DWN: BLAZE PENG (10APR2021)
CHK: KEVIN HUANG (10APR2021)
APVD: CHRIS WANG (10APR2021)

ENTRELEC
Electrical Solutions

NAME: M12 CABLE ASSEMBLY DOUBLE END SHIELDED

PRODUCT SPEC: 108-106140
APPLICATION SPEC: 114-137144

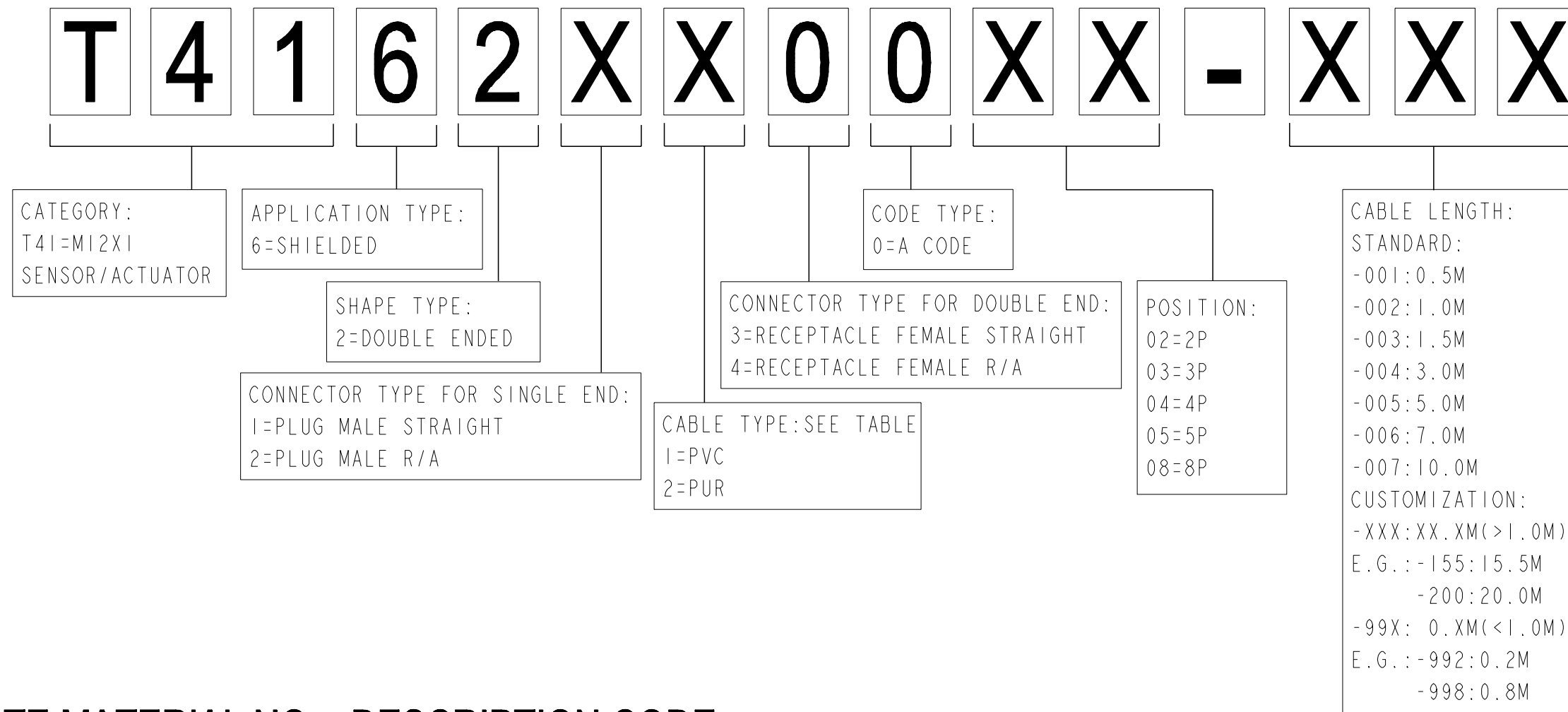
SIZE: A2 CAGE CODE: 00779 DRAWING NO: C-1SET311C04R0000 RESTRICTED TO: -
WEIGHT: - SCALE: 1:1 SHEET: 4 OF 5 REV: A

CUSTOMER DRAWING

CODING REQUIRED TO IEC 61076-2-101

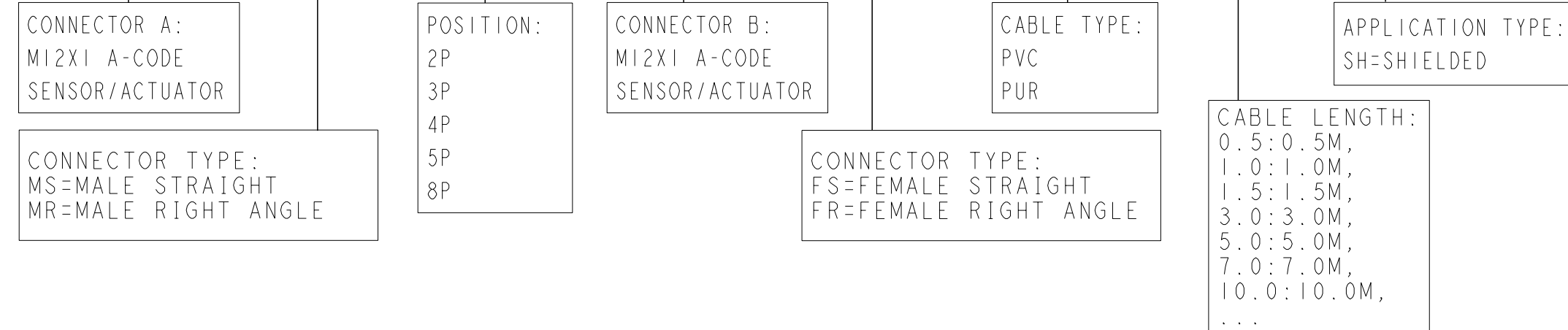
REVISIONS				
P	LTR	DESCRIPTION	DATE	APVD
		SEE SHEET 1		

TE MATERIAL NO. - NUMERICAL CODE



TE MATERIAL NO. - DESCRIPTION CODE

M12 - XX - XP - M12 - XX - PXX - ** - SH



PART LIST

M12-MS-4P-M12-FS-PUR-1.0-SH	T4162123004-002	ISET314367R0000
M12-MS-4P-M12-FS-PUR-3.0-SH	T4162123004-004	ISET314369R0000
M12-MS-4P-M12-FS-PUR-5.0-SH	T4162123004-005	ISET314370R0000
M12-MS-5P-M12-FS-PUR-1.0-SH	T4162123005-002	ISET314374R0000
M12-MS-5P-M12-FS-PUR-3.0-SH	T4162123005-004	ISET314376R0000
M12-MS-5P-M12-FS-PUR-5.0-SH	T4162123005-005	ISET314377R0000
M12-MS-4P-M12-FR-PUR-1.0-SH	T4162124004-002	ISET314402R0000
M12-MS-4P-M12-FR-PUR-3.0-SH	T4162124004-004	ISET314404R0000
M12-MS-4P-M12-FR-PUR-5.0-SH	T4162124004-005	ISET314405R0000
M12-MS-5P-M12-FR-PUR-1.0-SH	T4162124005-002	ISET314409R0000
M12-MS-5P-M12-FR-PUR-3.0-SH	T4162124005-004	ISET314411R0000
M12-MS-5P-M12-FR-PUR-5.0-SH	T4162124005-005	ISET314412R0000
M12-MR-4P-M12-FS-PUR-1.0-SH	T4162223004-002	ISET314507R0000
M12-MR-4P-M12-FS-PUR-3.0-SH	T4162223004-004	ISET314509R0000
M12-MR-4P-M12-FS-PUR-5.0-SH	T4162223004-005	ISET314510R0000
M12-MR-5P-M12-FS-PUR-1.0-SH	T4162223005-002	ISET314514R0000
M12-MR-5P-M12-FS-PUR-3.0-SH	T4162223005-004	ISET314516R0000
M12-MR-5P-M12-FS-PUR-5.0-SH	T4162223005-005	ISET314517R0000
M12-MR-4P-M12-FR-PUR-1.0-SH	T4162224004-002	ISET314542R0000
M12-MR-4P-M12-FR-PUR-3.0-SH	T4162224004-004	ISET314544R0000
M12-MR-4P-M12-FR-PUR-5.0-SH	T4162224004-005	ISET314545R0000
M12-MR-5P-M12-FR-PUR-1.0-SH	T4162224005-002	ISET314549R0000
M12-MR-5P-M12-FR-PUR-3.0-SH	T4162224005-004	ISET314551R0000
M12-MR-5P-M12-FR-PUR-5.0-SH	T4162224005-005	ISET314552R0000
PRODUCT TYPE		ENTRELEC PN

CABLE INFORMATION

CABLE TYPE	NO. OF WIRES	CROSS SECTION	CABLE JACKET	UL	FIXED:TEMP.	FLEXIBLE:TEMP.
1	2/3/4/5	0.34mm ²	PVC BLACK	UL2464	-10°C~+80°C	-5°C~+80°C
1	8	0.25mm ²	PVC BLACK	UL2464	-10°C~+80°C	-5°C~+80°C
2	2/3/4/5	0.34mm ²	PUR GREY	UL20549	-40°C~+80°C	-25°C~+80°C
2	8	0.25mm ²	PUR GREY	UL20549	-40°C~+80°C	-25°C~+80°C

CABLE LENGTH TOLERANCE

OVER	UP TO AND INCLUDING	TOLERANCES
0	1000mm	±30mm
1000mm	4000mm	±50mm
4000mm	5000mm	±60mm
5000mm	10000mm	±80mm
10000mm	>	±1.5% OF CABLE LENGTH

- NOTE:
- 1. CODE POSITION INDICATOR
 - 2. RECOMMENDED TORQUE 0.6 Nm
 - 3. CABLE ASSEMBLY TO BE PACKAGED IN POLYBAGS
 - 4. LABEL CONTAINS: PN, DATE CODE...

THIS DRAWING IS A CONTROLLED DOCUMENT.		DWN BLAZE PENG 10APR2021		
DIMENSIONS: mm		CHK KEVIN HUANG 10APR2021		
TOLERANCES UNLESS OTHERWISE SPECIFIED:		APVD CHRIS WANG 10APR2021	NAME M12 CABLE ASSEMBLY DOUBLE END SHIELDED	
		PRODUCT SPEC 108-106140	SIZE A200779	
MATERIAL		APPLICATION SPEC 114-137144	DRAWING NO ISET311C04R0000	
		WEIGHT	RESTRICTED TO	
		CUSTOMER DRAWING	SCALE 1:1 SHEET 5 OF 5 REV A	