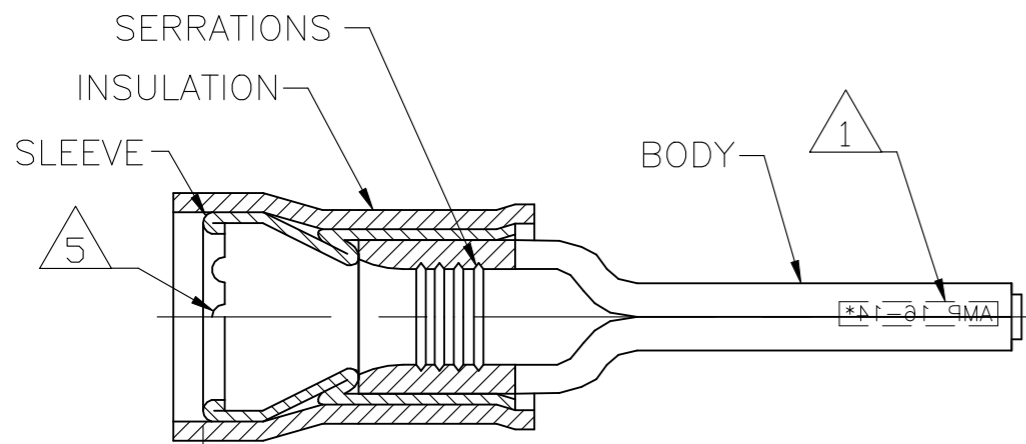
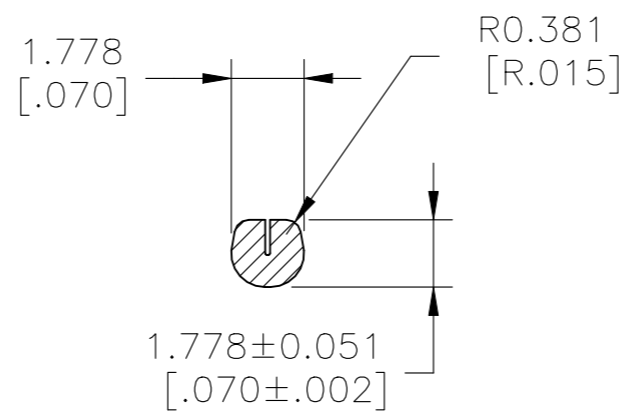
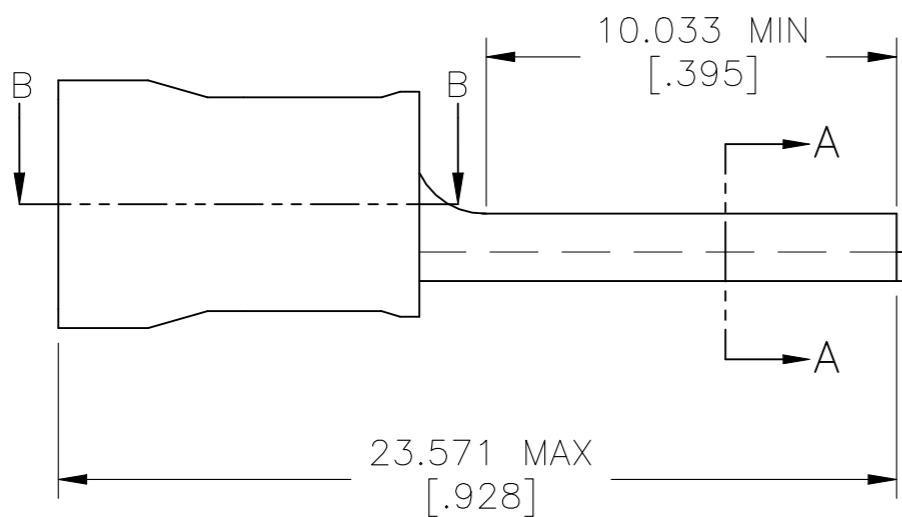


P	LTR	DESCRIPTION	DATE	DWN	APVD
	A	INITIAL RELEASE	07MAR2022	GK	SC



0.787 MIN  
[.031]

SECTION B-B



SECTION A-A

- 1 STAMP AMP 16-14\* APPROX AS SHOWN
- 2. WIRE INSULATION DIAMETER:  
ø4.318[.170] MAX
- 3 MATERIAL:  
BODY & SLEEVE - COPPER PER ASTM B152  
INSULATION - NYLON PER ASTM D4066 TYPE 1
- 4 FINISH:  
BODY & SLEEVE - TIN PLATE 0.00254[.000100]  
MIN EXT THK PER ASTM B545  
INSULATION COLOR - BLUE
- 5 INTERNAL EDGE FEATURE MAY BE SOLID OR SCALLOPED

100	WP025-N	1SET151010R0000	165172
QTY	DESIGNATION	ENTRELEC PN	TE PN

MAX RECOMMENDED OPERATING TEMPERATURE: 105°C [221°F]
VOLTAGE RATING: 300V MAX
WIRE CROSS SECTIONAL AREA RANGE: 1.04-2.62mm <sup>2</sup> [2,050-5,180] CIR.MIL STRANDED

THIS DRAWING IS A CONTROLLED DOCUMENT.	
DIMENSIONS: mm [INCHES]	TOLERANCES UNLESS OTHERWISE SPECIFIED:
	0 PLC ± -
	1 PLC ± -
	2 PLC ± -
	3 PLC ± 0.127[.005]
	4 PLC ± -
	ANGLES ± -
MATERIAL	FINISH
3	4

DWN GOPALAKRISHNA HV 07MAR2022	<b>ENTRELEC</b> Electrical Solutions		
CHK SUVARNA CHETHAN 07MAR2022			
APVD SUVARNA CHETHAN 07MAR2022	NAME TERMINAL, WIRE PIN, PIDG, WIRE SIZE: 16-14 AWG		
PRODUCT SPEC UL 486A-B	SIZE A3	CAGE CODE -	DRAWING NO C-1SET151010R0000
APPLICATION SPEC 114-2157	RESTRICTED TO -		SCALE 5:1
WEIGHT -	SHEET 1 OF 1		REV A
CUSTOMER DRAWING			