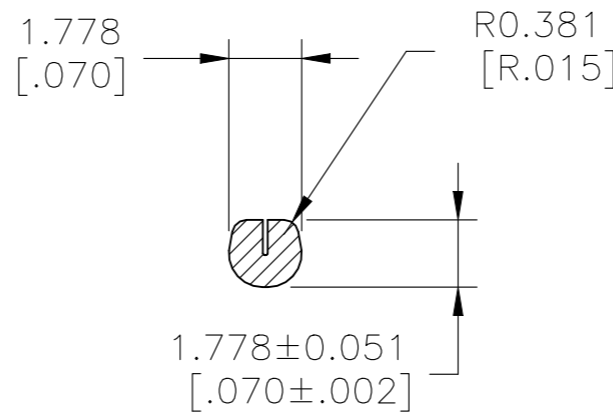
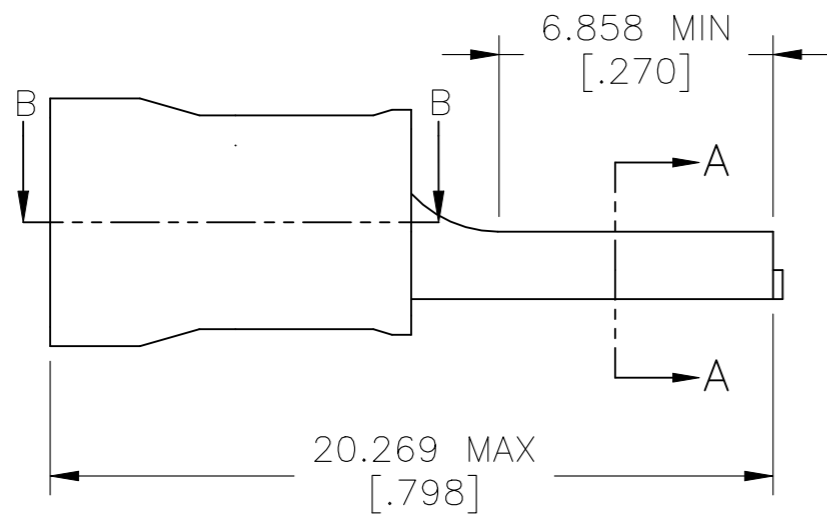
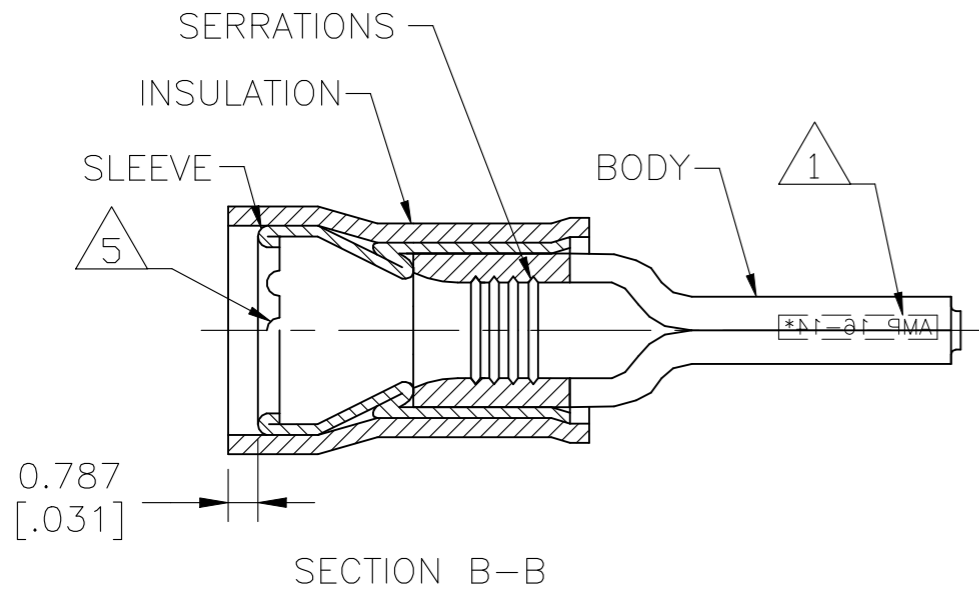


P	LTR	DESCRIPTION	DATE	DWN	APVD
	A	INITIAL RELEASE	04MAR2022	GK	SC



- 1 STAMP AMP 16-14* APPROX AS SHOWN
- 2. WIRE INSULATION DIAMETER:
∅4.318[.170] MAX
- 3 MATERIAL:
BODY & SLEEVE – COPPER PER ASTM B152
INSULATION – NYLON PER ASTM D4066 TYPE 1
- 4 FINISH:
BODY & SLEEVE – TIN PLATE 0.00254[.000100]
MIN EXT THK PER ASTM B545
INSULATION COLOR – BLUE
- 5 INTERNAL EDGE FEATURE MAY BE SOLID OR SCALLOPED

100	WP025-N-R1	1SET151009R0000	165046
QTY	DESIGNATION	ENTRELEC PN	TE PN

MAX RECOMMENDED OPERATING TEMPERATURE: 105°C [221°F]
VOLTAGE RATING: 300V MAX
CIRCULAR MIL AREA: 1.04-2.62mm ² [2,050-5,180] STRANDED

DIMENSIONS: mm [INCHES]		TOLERANCES UNLESS OTHERWISE SPECIFIED:	
	0 PLC	± -	
	1 PLC	± -	
	2 PLC	± -	
	3 PLC	± 0.127[.005]	
	4 PLC	± -	
	ANGLES	± -	
MATERIAL	FINISH		
3	4		

THIS DRAWING IS A CONTROLLED DOCUMENT.		DWN 04MAR2022 GOPALAKRISHNA HV		ENTRELEC Electrical Solutions	
		CHK 04MAR2022 SUVARNA CHETHAN			
		APVD 04MAR2022 SUVARNA CHETHAN		NAME	
		PRODUCT SPEC UL 486A-B		TERMINAL, WIRE PIN, PIDG, WIRE SIZE: 16-14 AWG	
		APPLICATION SPEC 114-2157		SIZE	CAGE CODE
		WEIGHT -		A3	-
		CUSTOMER DRAWING		DRAWING NO	RESTRICTED TO
				C-1SET151009R0000	-
		SCALE	SHEET	REV	
		6:1	1 OF 1	A	