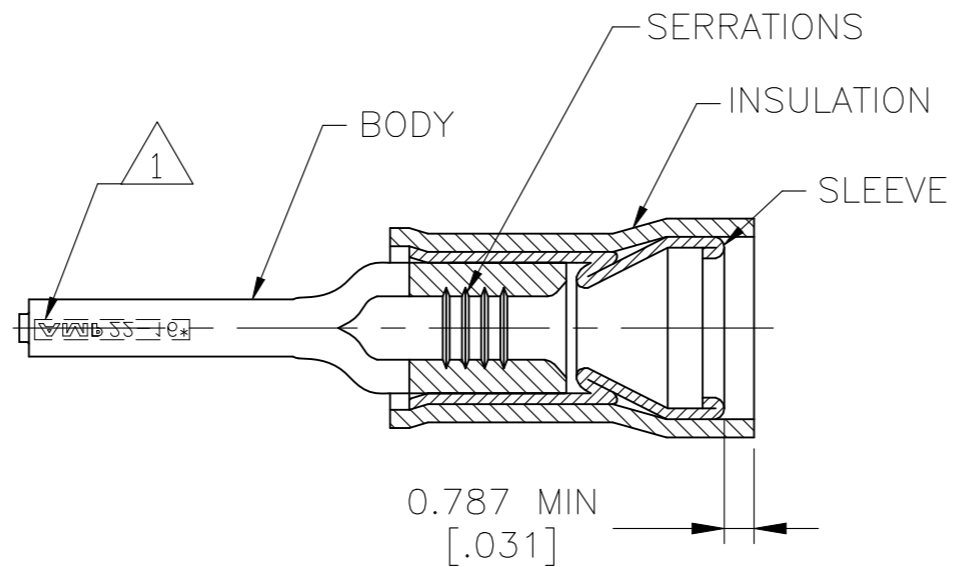
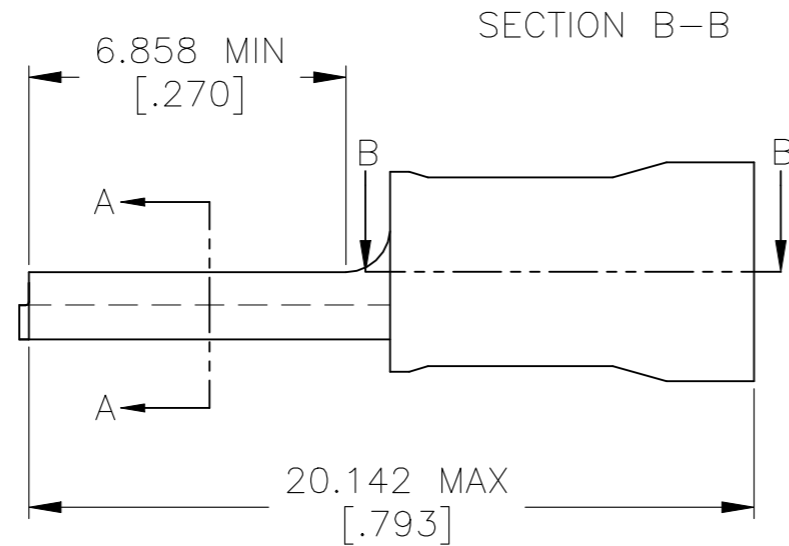
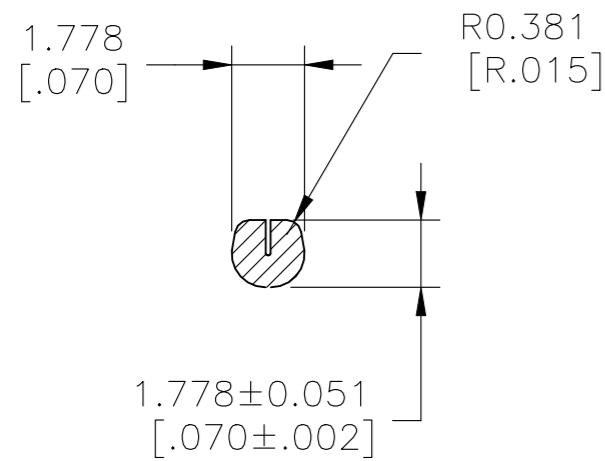


P	LTR	DESCRIPTION	DATE	DWN	APVD
	A	INITIAL RELEASE	04MAR2022	GK	SC



- 1 STAMP AMP 22-16* APPROX AS SHOWN
- 2. WIRE INSULATION DIAMETER:
∅3.556[.140] MAX
- 3 MATERIAL:
BODY & SLEEVE - COPPER PER ASTM B152
INSULATION - NYLON PER ASTM D4066 TYPE 1
- 4 FINISH:
BODY & SLEEVE - TIN PLATE 0.00254[.000100]
MIN EXT THK PER ASTM B545
INSULATION COLOR - RED



100	WP015-N-R1	1SET151007R0000	165142
QTY	DESIGNATION	ENTRELEC PN	TE PN

MAX RECOMMENDED OPERATING TEMPERATURE: 105°C [221°F]		THIS DRAWING IS A CONTROLLED DOCUMENT.		DWN 04MAR2022 GOPALAKRISHNA HV		ENTRELEC Electrical Solutions	
VOLTAGE RATING: 300V MAX		DIMENSIONS: mm [INCHES]		CHK 04MAR2022 SUVARNA CHETHAN			
CIRCULAR MIL AREA: 0.25-1.6mm ² [493-3158] STRANDED		TOLERANCES UNLESS OTHERWISE SPECIFIED: 0 PLC ± - 1 PLC ± - 2 PLC ± - 3 PLC ± 0.127[.005] 4 PLC ± - ANGLES ± -		APVD 04MAR2022 SUVARNA CHETHAN		PRODUCT SPEC UL 486A-B	
		MATERIAL 3		FINISH 4		APPLICATION SPEC 114-2157	
				WEIGHT -		SIZE A3	
				CUSTOMER DRAWING		RESTRICTED TO -	
				SCALE 5:1		DRAWING NO C-1SET151007R0000	
						SHEET 1 OF 1	
						REV A	