

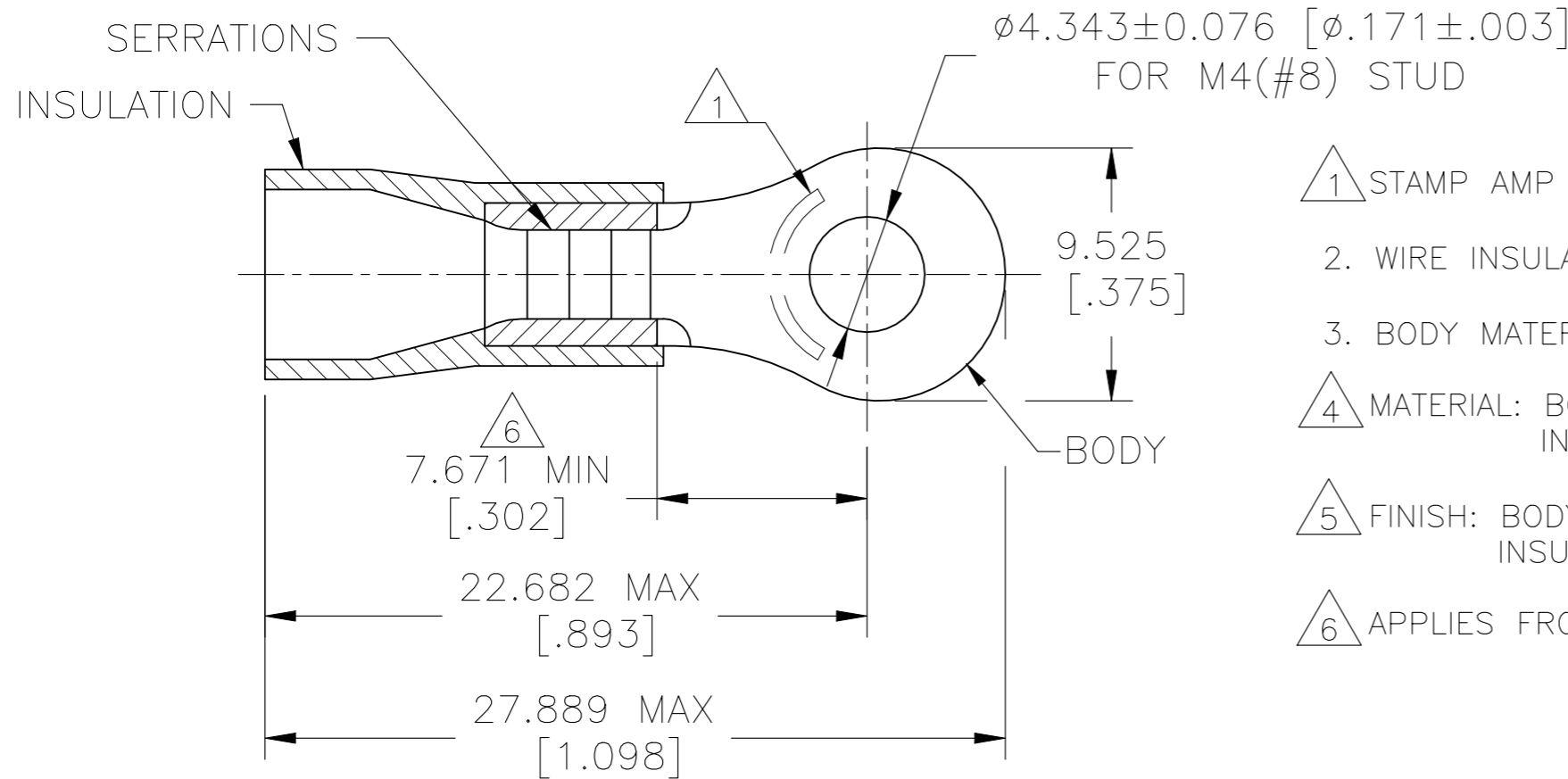


| P | LTR | DESCRIPTION | DATE | DWN | APVD |
|---|-----|---------------|-----------|-----|------|
| | A | ECO-20-012219 | 11SEP2020 | GK | DR |

| | |
|--|---|
|  Listed |  Certified |
| 12-10 AWG SOLID OR STRANDED | 12-10 AWG SOLID OR STRANDED |



- 1 STAMP AMP 12-10* APPROX AS SHOWN
- 2. WIRE INSULATION DIAMETER: $\phi 3.810 - 6.350$ [$\phi .150 - .250$]
- 3. BODY MATERIAL THK: 0.991 ± 0.051 [$.039 \pm .002$]
- 4 MATERIAL: BODY - CU PER ASTM B152
INSULATION - PVC
- 5 FINISH: BODY - TIN PLATE 0.00254 [$.000100$] MIN EXT THK PER ASTM B545
INSULATION COLOR - YELLOW
- 6 APPLIES FROM EDGE OF METAL WIRE BARREL TO CENTER OF STUD HOLE

| | | | |
|-----|-------------|-----------------|-------|
| 100 | RT060-040-V | 1SET121016R0000 | 34853 |
| QTY | DESIGNATION | ENTRELEC PN | TE PN |

| | | | | | | | | | |
|---|--|---|--|--|---|-------|-------------------|--|------|
| MAX RECOMMENDED OPERATING TEMPERATURE: 105°C [221°F] VOLTAGE RATING: 600V MAX (1000V FIXTURE OR SIGN) CIRCULAR MIL AREA: 2.62-6.64mm ² [5,180-13,100] SOLID OR STRANDED | THIS DRAWING IS A CONTROLLED DOCUMENT. | | DWN 11SEP2020 GOPALAKRISHNA HV CHK 11SEP2020 ROHDE DANIEL F APVD 11SEP2020 ROHDE DANIEL F | | ENTRELEC Electrical Solutions TERMINAL, RING TONGUE, PLASTI-GRIP, WIRE SIZE: 12 - 10 AWG | | | | |
| | DIMENSIONS: mm [INCHES] | TOLERANCES UNLESS OTHERWISE SPECIFIED: 0 PLC ± - 1 PLC ± - 2 PLC ± - 3 PLC ± 0.127[.005] 4 PLC ± - ANGLES ± - | PRODUCT SPEC UL 486A-B APPLICATION SPEC 114-2161 | | | | | | NAME |
| | MATERIAL | FINISH | WEIGHT CUSTOMER DRAWING | | A3 00779 | | C-1SET121016R0000 | | — |
| | | | | | SCALE | SHEET | REV | | |