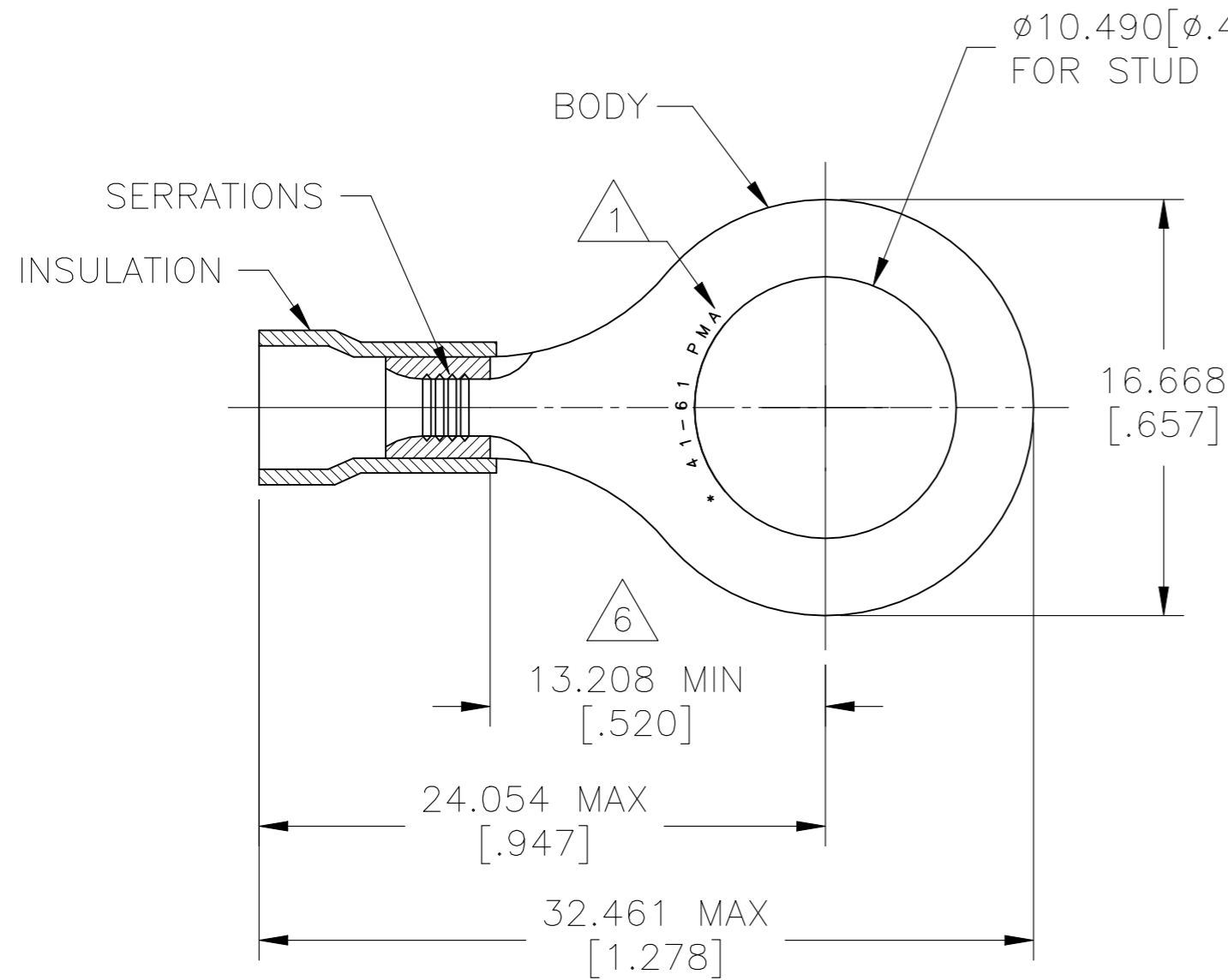


P	LTR	DESCRIPTION	DATE	DWN	APVD
	A	ECO-20-012219	11SEP2020	GK	DR

 Listed	 Certified
16-14 AWG SOLID OR STRANDED	16-14 AWG SOLID OR STRANDED



100	RT025-100-V	1SET121014R0000	160136
QTY	DESIGNATION	ENTRELEC PN	TE PN

THIS DRAWING IS A CONTROLLED DOCUMENT.		DWN 11SEP2020 GOPALAKRISHNA HV	<b>ENTRELEC</b> Electrical Solutions	
DIMENSIONS: mm [INCHES]		CHK 11SEP2020 ROHDE DANIEL F		
TOLERANCES UNLESS OTHERWISE SPECIFIED:		APVD 11SEP2020 ROHDE DANIEL F	NAME	
0 PLC ± -		PRODUCT SPEC	TERMINAL, RING TONGUE, PLASTI-GRIP, WIRE SIZE: 16-14 AWG	
1 PLC ± -		APPLICATION SPEC	SIZE	
2 PLC ± -		114-2161	CAGE CODE	DRAWING NO
3 PLC ± 0.127[.005]		WEIGHT	A300779	C-1SET121014R0000
4 PLC ± -		CUSTOMER DRAWING	SCALE	SHEET
ANGLES ± -			5:1	1 OF 1
FINISH			REV	A
MATERIAL				
1				
2				
3				
4				
5				
6				

MAX RECOMMENDED OPERATING TEMPERATURE: 105°C [221° F]
VOLTAGE RATING: 600V MAX (1000V FIXTURE OR SIGN)
CIRCULAR MIL AREA: 1.04-2.62mm <sup>2</sup> [2,050-5,180] SOLID OR STRANDED