

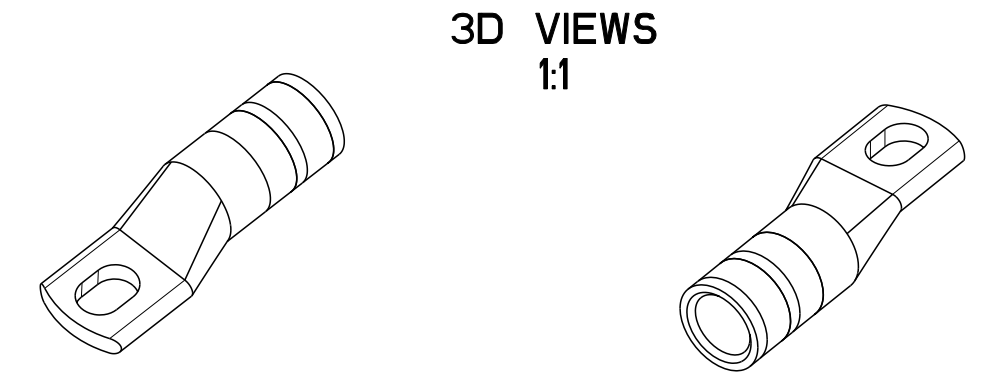
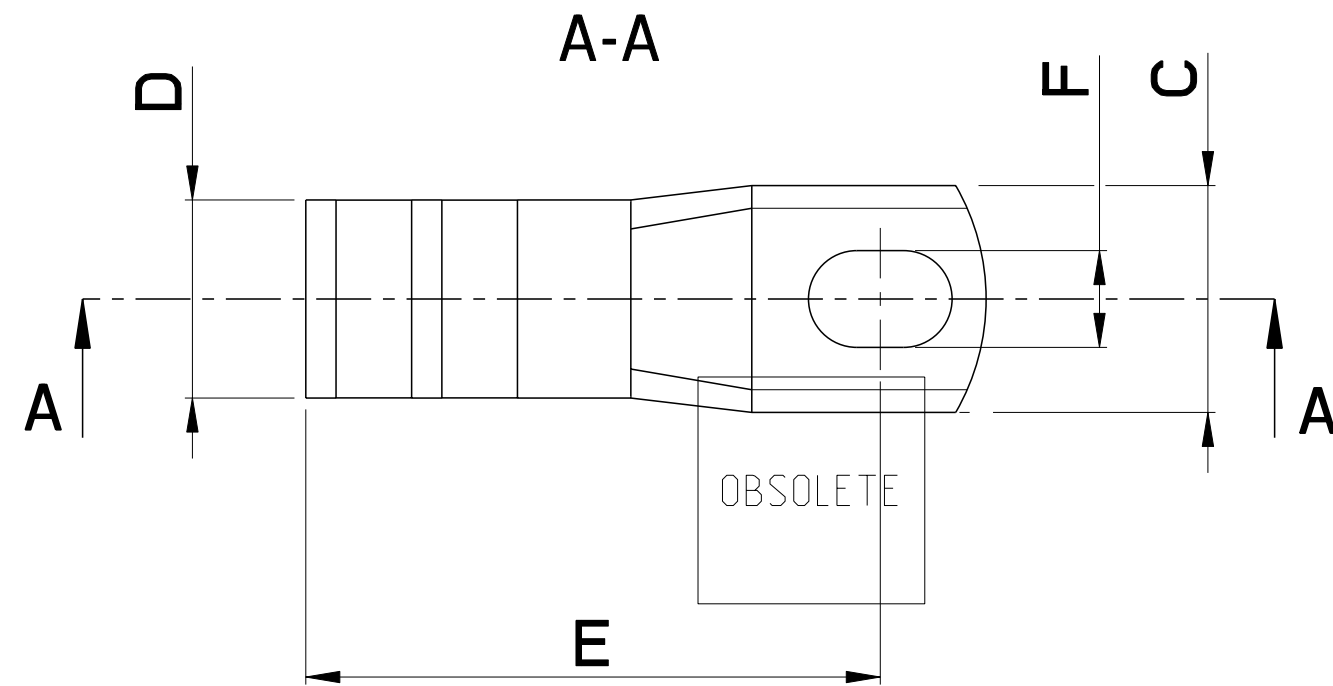
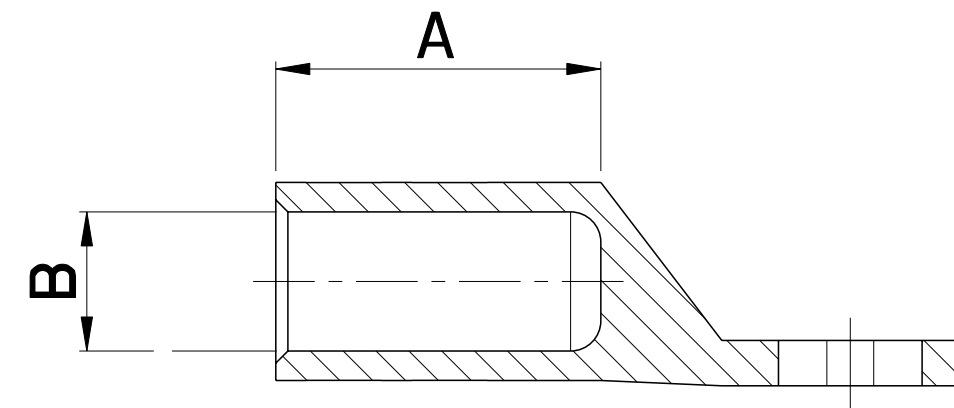
| REVISIONS |     |               |           |     |      |
|-----------|-----|---------------|-----------|-----|------|
| P         | LTR | DESCRIPTION   | DATE      | DWN | APVD |
| B         |     | NEW DRAWING   | 08MAY2009 | GS  | JM   |
| C         |     | ECR-10-006797 | 29MAR2010 | RM  | JM   |
| C1        |     | ECR-23-184265 | 18OCT2023 | RK  | DJ   |

NOTES:

1 PACKAGING: LOOSE PIECES IN CARTON

△ ONLY FOR EURO STRANDED CONDUCTORS

-2 AS SHOWN



| TE PART NO | DESCRIPTION            | STUD DIA/WIRE SIZE (mm <sup>2</sup> ) | DIM A | DIM B | DIM C | DIM D | DIM E | DIM F | MATERIAL | SURFACE FINISH |
|------------|------------------------|---------------------------------------|-------|-------|-------|-------|-------|-------|----------|----------------|
| OBSOLETE   | <del>5-1991233-9</del> | RING TONGUE 20-50mm <sup>2</sup> △    | 20/50 | 19    | 10    | --    | 14    | --    | 21       | Cu TINNED      |
|            | 5-1991233-8            | RING TONGUE 16-50mm <sup>2</sup> △    | 16/50 | 19    | 10    | --    | 14    | --    | 17       | Cu TINNED      |
| OBSOLETE   | <del>5-1991233-7</del> | RING TONGUE 14-50mm <sup>2</sup> △    | 14/50 | 19    | 10    | --    | 14    | --    | 15       | Cu TINNED      |
|            | 5-1991233-6            | RING TONGUE 12-50mm <sup>2</sup> △    | 12/50 | 19    | 10    | --    | 14    | --    | 13       | Cu TINNED      |
|            | 5-1991233-5            | RING TONGUE 10-50mm <sup>2</sup> △    | 10/50 | 19    | 10    | 17    | 14    | 43.25 | 10.5     | Cu TINNED      |
|            | 5-1991233-4            | RING TONGUE 8-50mm <sup>2</sup> △     | 8/50  | 19    | 10    | 17    | 14    | 40.8  | 8.4      | Cu TINNED      |
|            | 5-1991233-3            | RING TONGUE 6-50mm <sup>2</sup> △     | 6/50  | 19    | 10    | 15    | 14    | 38.3  | 6.4      | Cu TINNED      |
| OBSOLETE   | <del>3-1991233-8</del> | RING TONGUE 16-35mm <sup>2</sup> △    | 16/35 | 17    | 8.5   | --    | 12    | --    | 17       | Cu TINNED      |
|            | 3-1991233-7            | RING TONGUE 14-35mm <sup>2</sup> △    | 14/35 | 17    | 8.5   | --    | 12    | --    | 15       | Cu TINNED      |
|            | <del>3-1991233-6</del> | RING TONGUE 12-35mm <sup>2</sup> △    | 12/35 | 17    | 8.5   | --    | 12    | --    | 13       | Cu TINNED      |
|            | 3-1991233-5            | RING TONGUE 10-35mm <sup>2</sup> △    | 10/35 | 17    | 8.5   | 17    | 12    | 39.25 | 10.5     | Cu TINNED      |
|            | 3-1991233-4            | RING TONGUE 8-35mm <sup>2</sup> △     | 8/35  | 17    | 8.5   | 15    | 12    | 36.8  | 8.4      | Cu TINNED      |
|            | 3-1991233-3            | RING TONGUE 6-35mm <sup>2</sup> △     | 6/35  | 17    | 8.5   | 15    | 12    | 34.3  | 6.4      | Cu TINNED      |
| OBSOLETE   | <del>2-1991233-8</del> | RING TONGUE 16-25mm <sup>2</sup> △    | 16/25 | 15    | 7     | --    | 10    | --    | 17       | Cu TINNED      |
|            | <del>2-1991233-7</del> | RING TONGUE 14-25mm <sup>2</sup> △    | 14/25 | 15    | 7     | --    | 10    | --    | 15       | Cu TINNED      |
|            | <del>2-1991233-6</del> | RING TONGUE 12-25mm <sup>2</sup> △    | 12/25 | 15    | 7     | --    | 10    | --    | 13       | Cu TINNED      |
|            | <del>2-1991233-5</del> | RING TONGUE 10-25mm <sup>2</sup> △    | 10/25 | 15    | 7     | --    | 10    | --    | 10.5     | Cu TINNED      |
|            | <del>2-1991233-4</del> | RING TONGUE 8-25mm <sup>2</sup> △     | 8/25  | 15    | 7     | --    | 10    | --    | 8.4      | Cu TINNED      |
|            | <del>2-1991233-3</del> | RING TONGUE 6-25mm <sup>2</sup> △     | 6/25  | 15    | 7     | --    | 10    | --    | 6.4      | Cu TINNED      |
|            | <del>2-1991233-2</del> | RING TONGUE 5-25mm <sup>2</sup> △     | 5/25  | 15    | 7     | --    | 10    | --    | 5.3      | Cu TINNED      |
|            | <del>1-1991233-6</del> | RING TONGUE 12-16mm <sup>2</sup> △    | 12/16 | 13    | 5.5   | --    | 8.5   | --    | 13       | Cu TINNED      |
|            | <del>1-1991233-5</del> | RING TONGUE 10-16mm <sup>2</sup> △    | 10/16 | 13    | 5.5   | --    | 8.5   | --    | 10.5     | Cu TINNED      |
|            | <del>1-1991233-4</del> | RING TONGUE 8-16mm <sup>2</sup> △     | 8/16  | 13    | 5.5   | --    | 8.5   | --    | 8.4      | Cu TINNED      |
|            | 1-1991233-3            | RING TONGUE 6-16mm <sup>2</sup> △     | 6/16  | 13    | 5.5   | --    | 8.5   | --    | 6.4      | Cu TINNED      |
| OBSOLETE   | <del>1-1991233-2</del> | RING TONGUE 5-16mm <sup>2</sup> △     | 5/16  | 13    | 5.5   | --    | 8.5   | --    | 5.3      | Cu TINNED      |
|            | 1-1991233-1            | RING TONGUE 4-16mm <sup>2</sup> △     | 4/16  | 13    | 5.5   | --    | 8.5   | --    | 4.3      | Cu TINNED      |

THIS DRAWING IS A CONTROLLED DOCUMENT.

DWN: S. GURURAJ 29JAN2009  
CHK: M. HARRIS 29JAN2009  
APVD: J. MARSH 29JAN2009

DIMENSIONS: mm

TOLERANCES UNLESS OTHERWISE SPECIFIED:  
0-PLC ±0.5  
1-PLC ±0.5  
2-PLC ±0.5  
3-PLC ±0.5  
4-PLC ±0.5  
ANGLES ±2°

MATERIAL: SEE TABLE material\_2  
FINISH: SEE TABLE finish\_spec\_2

APVD: J. MARSH 29JAN2009

NAME: RING TONGUE, IPT 16-50mm Sq TO SUIT EURO STRANDED CONDUCTORS

SIZE: A2 CAGE CODE: 00779 DRAWING NO: C-1991233 RESTRICTED TO: -

WEIGHT: -

CUSTOMER DRAWING SCALE: 2:1 SHEET: 1 OF 1 REV: C1

Printed on 12 Mar 2024 15:24 (India Standard Time) from FR009765