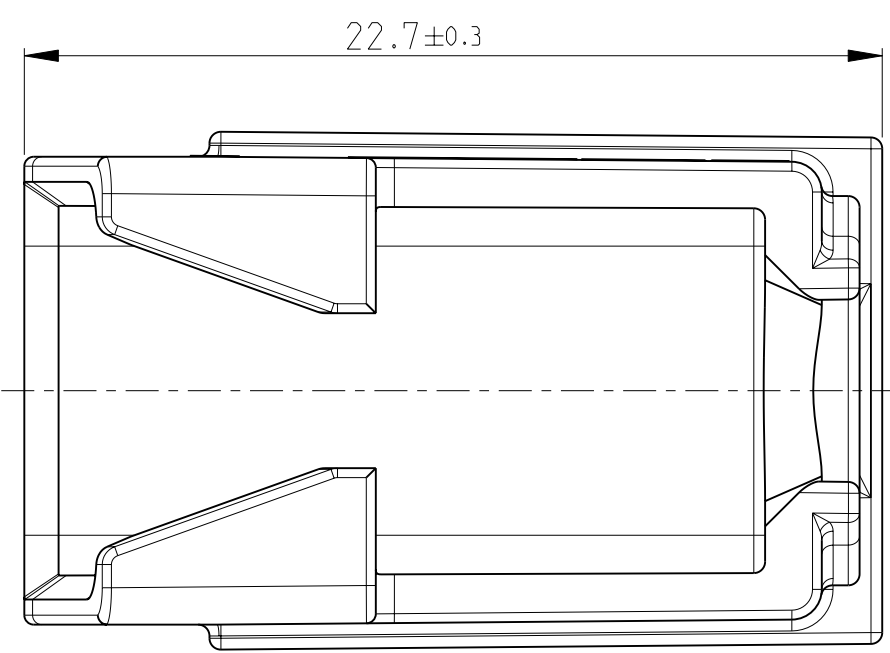
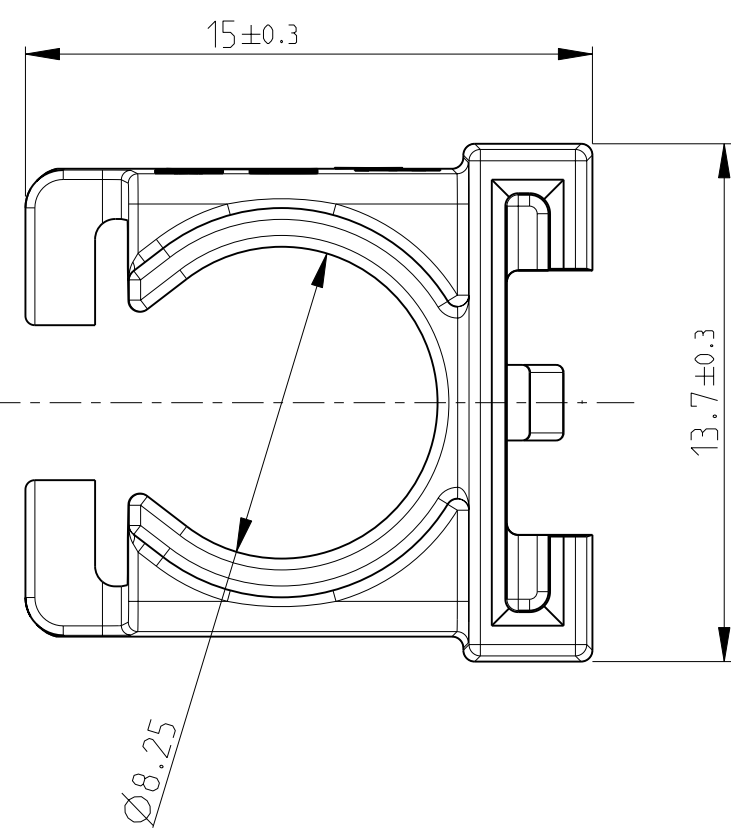


THIS DRAWING IS UNPUBLISHED. RELEASED FOR PUBLICATION 2009  
 © COPYRIGHT 2009 BY TYCO ELECTRONICS CORPORATION. ALL RIGHTS RESERVED.

| LOC |     | DIST        |             | REVISIONS |      |    |  |
|-----|-----|-------------|-------------|-----------|------|----|--|
| P   | LTR | DESCRIPTION | DATE        | DWN       | APVD |    |  |
| A1  | -   | A           | NEW DRAWING | 27JAN2009 | SN   | BB |  |

**AS SHOWN**  
**PN: 1991207-1**

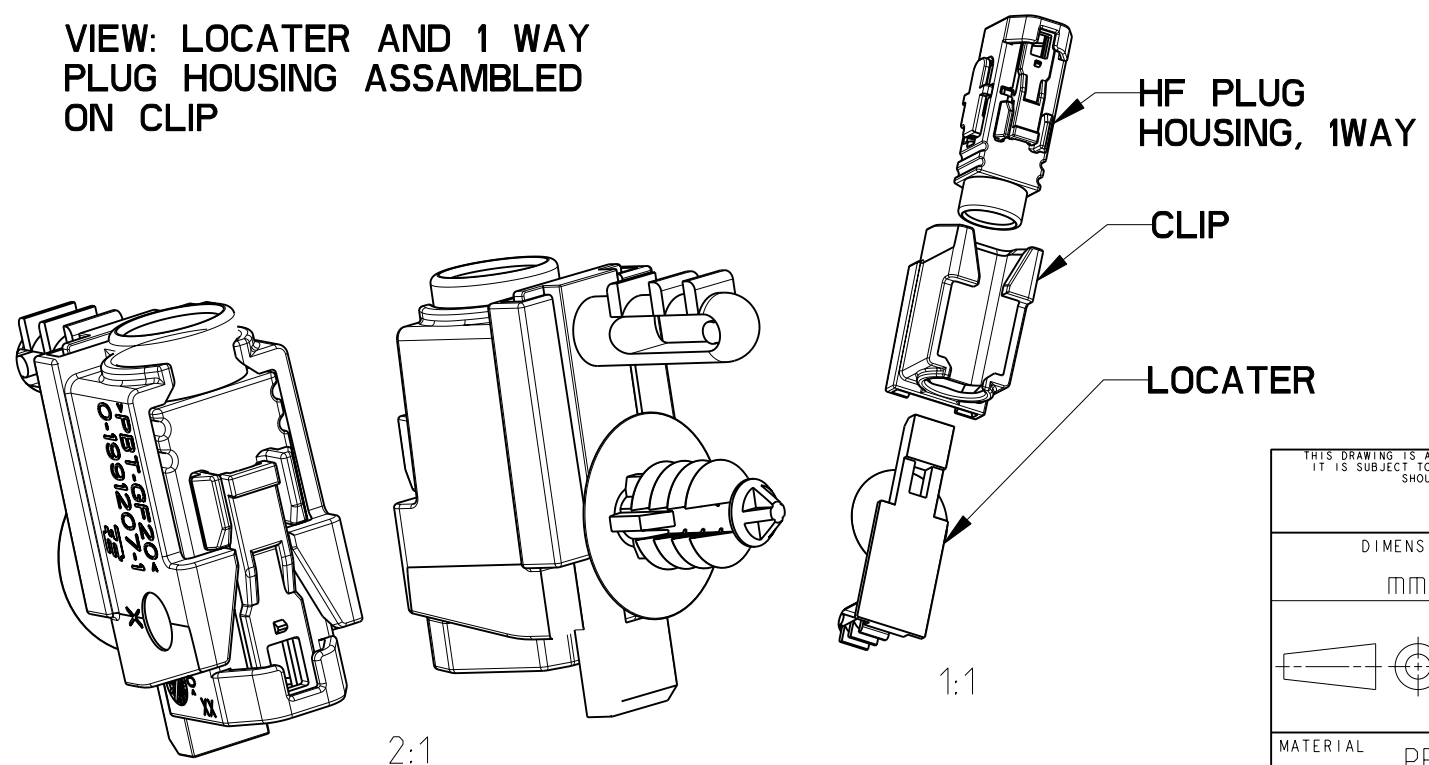


**NOTES:**

- PART NO. x-1452584-x ENGAGEMENT FORCE 10N MAXIMUM
- PART NO. x-1452584-x UNINTENTIONAL DISENGAGEMENT FORCE 50N MINIMUM
- MOUNTING FEATURE TO MEET REQUIREMENTS OF FORD DRG. S91AG14A485AA1 USED FOR TE 1WAY HF PLUG HSG. PN x-1452584-x

**TYPICAL APPLICATION:**

**VIEW: LOCATER AND 1 WAY PLUG HOUSING ASSAMBED ON CLIP**



| QTY REQD PER ASSY | REVISION OF EACH ASSY NO (WHEN BLANK, USE DWG REVISION) | PARTS LIST                                |
|-------------------|---------------------------------------------------------|-------------------------------------------|
|                   | 1991207-1                                               | A CLIP FOR FAKRA 1.7 BLACK 1              |
|                   | PART NO                                                 | REV DESCRIPTION WEIGHT [g] COLOUR ITEM NO |

|                                                                                                                                                                                                         |  |                                                                                                                                                  |  |                                                                                                                                                                       |  |
|---------------------------------------------------------------------------------------------------------------------------------------------------------------------------------------------------------|--|--------------------------------------------------------------------------------------------------------------------------------------------------|--|-----------------------------------------------------------------------------------------------------------------------------------------------------------------------|--|
| <small>THIS DRAWING IS A CONTROLLED DOCUMENT FOR TYCO ELECTRONICS CORPORATION IT IS SUBJECT TO CHANGE AND THE CONTROLLING ENGINEERING ORGANIZATION SHOULD BE CONTACTED FOR THE LATEST REVISION.</small> |  | DWN 27JAN2009<br>Shashidhara N<br>CHK -<br>Baker, Bob<br>APVD -<br>PRODUCT SPEC -<br>APPLICATION SPEC -<br>WEIGHT -                              |  | Tyco Electronics UK<br>Stanmore, Middx. HA7 4RS<br>NAME<br><b>CLIP FOR FAKRA 180 AND 360 DEGREE</b><br>SIZE CAGE CODE DRAWING NO RESTRICTED TO<br>A3 00779 ©1991207 - |  |
| DIMENSIONS: mm<br>                                                                                                                                                                                      |  | TOLERANCES UNLESS OTHERWISE SPECIFIED:<br>0 PLC ±0.5<br>1 PLC ±-<br>2 PLC ±-<br>3 PLC ±-<br>4 PLC ±-<br>ANGLES ±1°<br>MATERIAL PBT-GF20 FINISH - |  | CUSTOMER DRAWING SCALE 5:1 SHEET 1 OF 1 REV A                                                                                                                         |  |