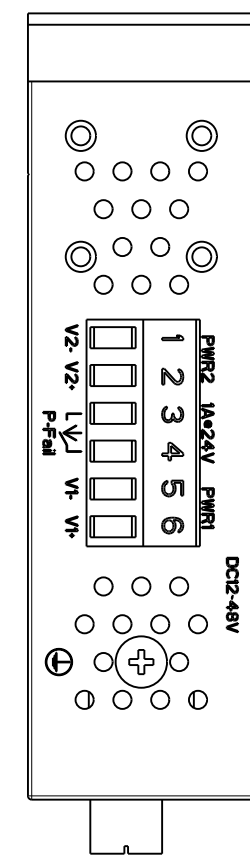
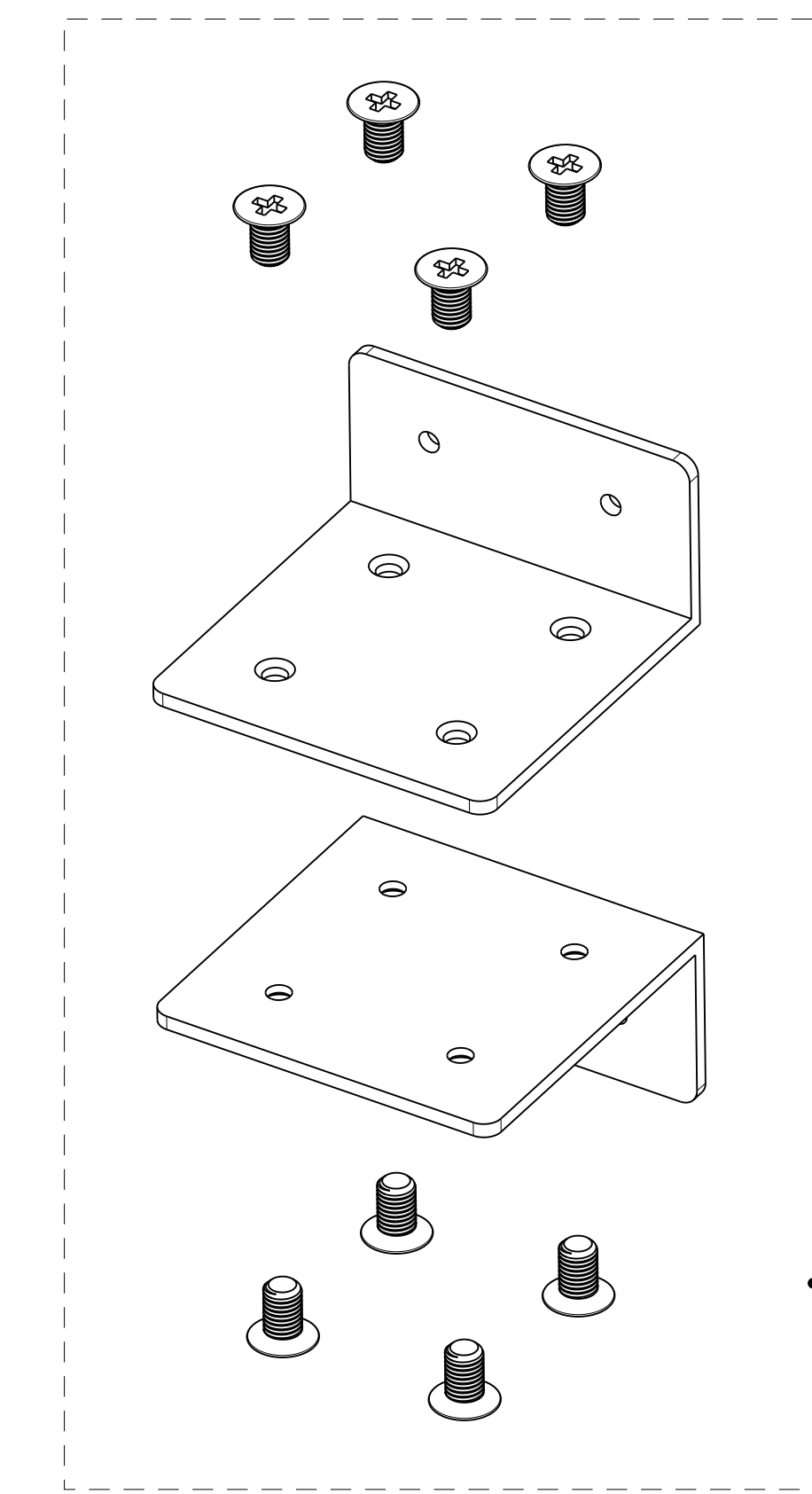
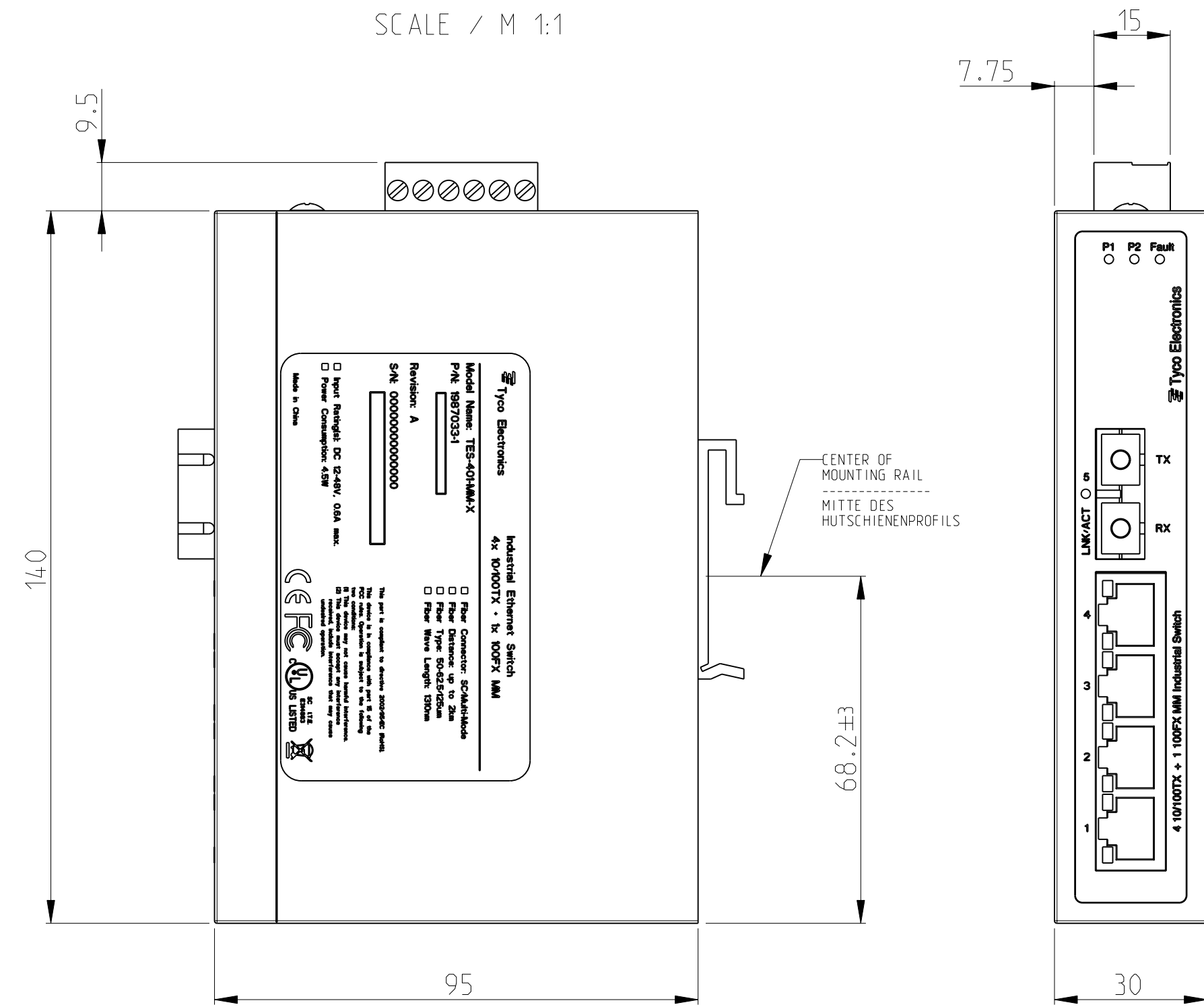


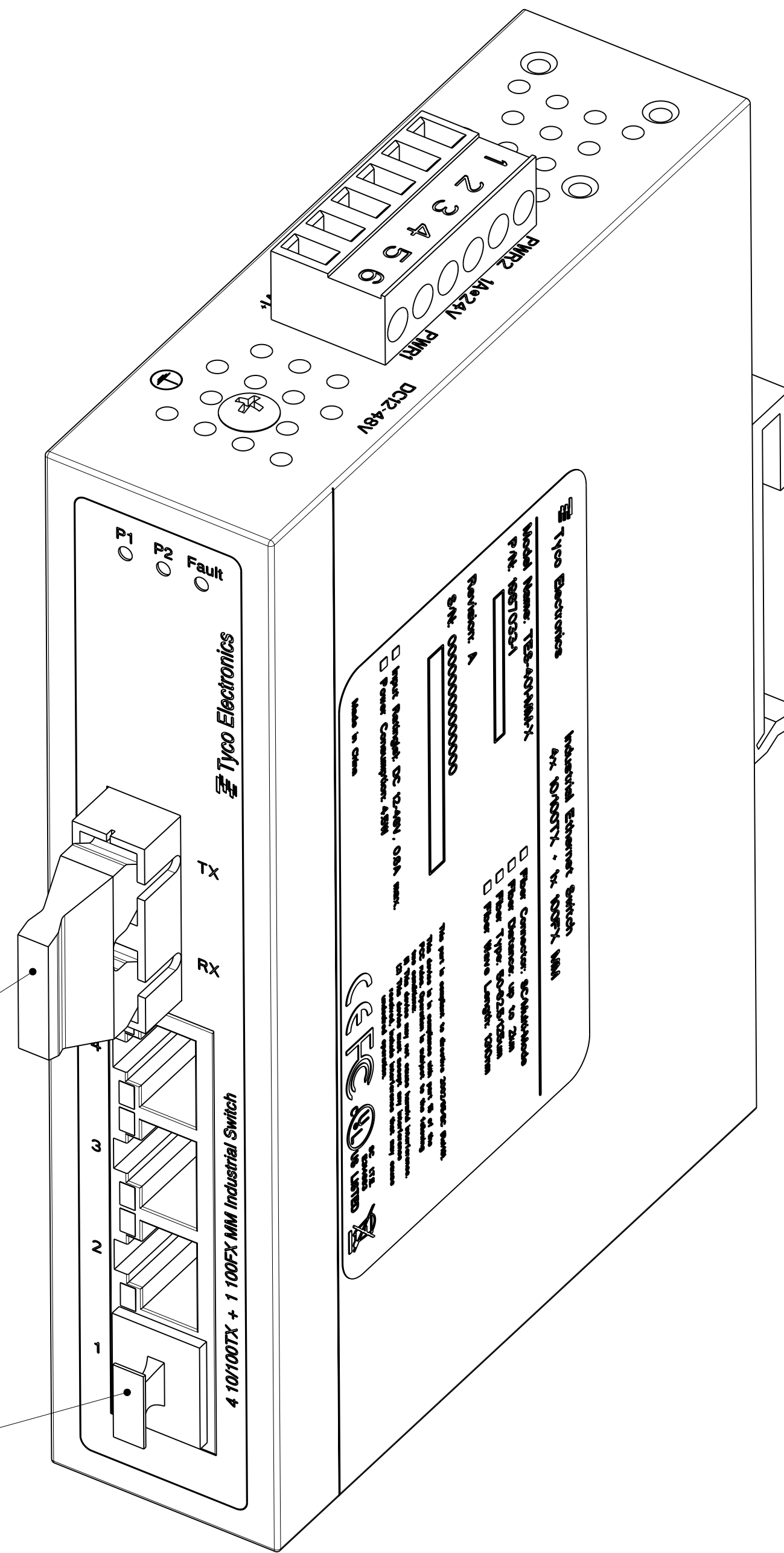
1987033-1 AS SHOWN

SCALE / M 1:1

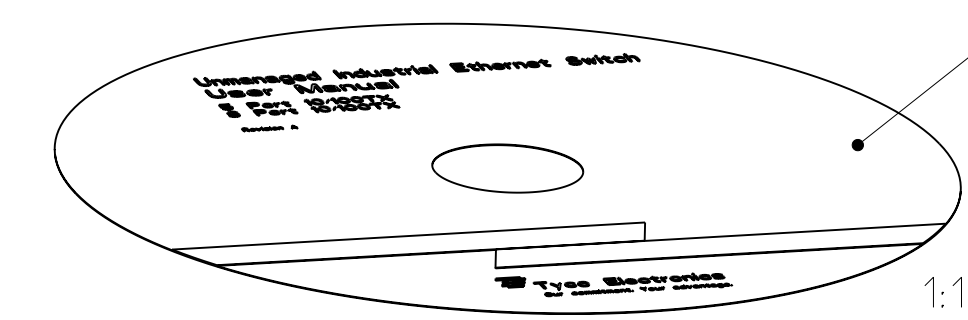


DUST COVER FOR FIBER PORT
 1 x ENCLOSED
 STAUBSCHUTZKAPPE
 FUER FASER-
 OPTISCHEN EINGANG
 1 x BEILIEGEND

DUST COVER FOR RJ45 PORT
 4 x ENCLOSED
 STAUBSCHUTZKAPPE
 FUER RJ45-EINGANG
 4 x BEILIEGEND



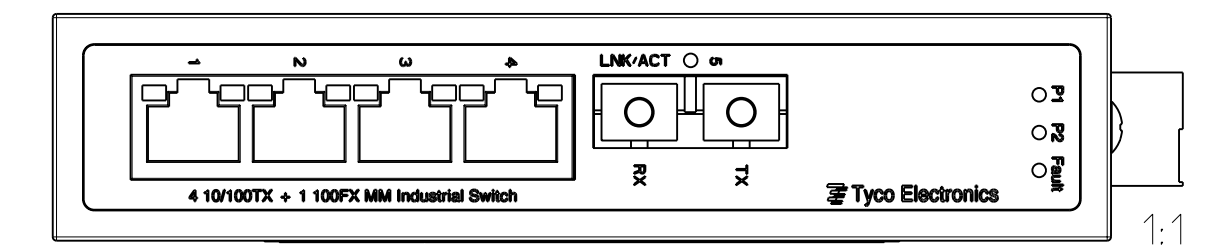
1987033-1 AS SHOWN



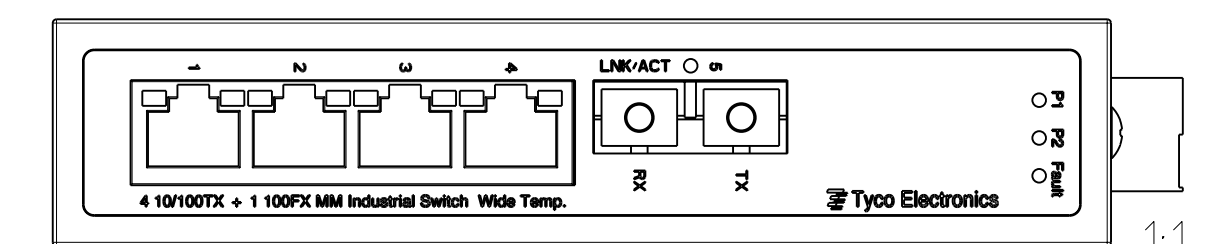
HARDWARE SPECIFICATION

1	ETHERNET STANDARD COMPLIANCE	IEEE 802.3 - 10BASE-T IEEE 802.3u - 100BASE-TX AND 100BASE-FX IEEE 802.3x - FLOW CONTROL AND BACK PRESSURE
2	SWITCH ARCHITECTURE	STORE-AND-FORWARD SWITCHING ARCHITECTURE BACK-PLANE (SWITCHING FABRIC): 1.0Gbps PACKET THROUGHPUT ABILITY (FULL DUPLEX): 1.488Mpps @ 64bytes
3	TRANSFER RATE	10BASE-T PORT: 14 880pps 100BASE-TX/FX PORT: 148 800pps
4	MAC ADDRESS	1K MAC ADDRESS TABLE
5	ETHERNET PORTS	- 4 x 10/100TX RJ-45 - 1x 100FX SC CONNECTOR FOR MULTI-MODE (MM). WAVE LENGTH 1310nm MULTI-MODE FIBER: 50/125µm-62.5/125µm. MAX. DISTANCE 2km - AUTO MDI/MDI-X SUPPORT
6	LED	PER UNIT: POWER 1 (GREEN), POWER 2 (GREEN), FAULT (RED) PER PORT: LINK/ACTIVE (GREEN), FULL DUPLEX/COLLISION (YELLOW)
7	POWER SUPPLY	WIDE RANGE SUPPLY: 12 TO 48 V DC REVERSE POLARITY PROTECTED OVERLOAD CURRENT PROTECTED (RE-SETTABLE FUSE)
8	POWER CONSUMPTION	4.5 WATTS

FRONT PANEL 1987033-1



FRONT PANEL 1987033-2



1987033-2		1987033-1		TYCO ELECTRONICS ORDER NO. BESTELL-NR.	
1	-	2	4 10/100TX + 1 100FX MM SWITCH TES-401-MM-XE WIDE OPERATING TEMPERATURE RANGE -40 °C TO 75 °C		
-	1	1	4 10/100TX + 1 100FX MM SWITCH TES-401-MM-X STANDARD OPERATING TEMPERATURE RANGE -10 °C TO 60 °C		
QUANTITY STUECK	ITEM NO. POS.	DESCRIPTION BENENNUNG			

THIS DRAWING IS CONTROLLED THROUGH THE ELECTRONICS DEPARTMENT IT IS SUBJECT TO CHANGE WITHOUT NOTICE AND WITHOUT RESPONSIBILITY BEZUGSVERWEISUNG AUF DIE ZUGANGSVERWEHRUNG ANWENDUNG: FÜR DEN TOEGANGSVERWEHRUNG DIE ZUGANGSVERWEHRUNG BEI DER VERWENDUNG		DWN S. STOLZ 05 JUN 2007	Tyco Electronics AMP GmbH 64625 Bensheim (Germany)		
DIMENSIONS: MASSEN (mm)		CHK B. BERGNER 05 JUN 2007	NAME INDUSTRIAL ETHERNET SWITCH TES-401-MM-X(E) 4 x 10/100TX + 1x 100FX MM		
TOLERANCES: UNLESS OTHERWISE SPECIFIED: ALLERGENAUERHEITEN		APVD P. KRAEMER 05 JUN 2007	SIZE A1 00779 1987033		
MATERIAL		WEIGHT GEWICHT 440 g	RESTRICTED TO NUR FUER		
CUSTOMER DRAWING		/KUNDENZEICHNUNG		SCALE MASSSTAB 2:1	SHEET BLATT 1 OF VON 1