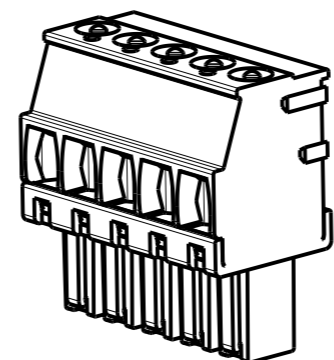
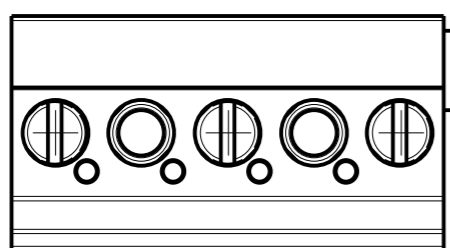
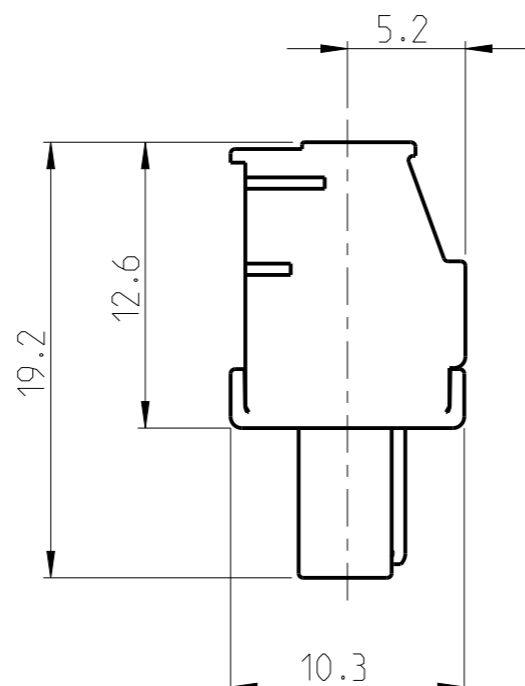
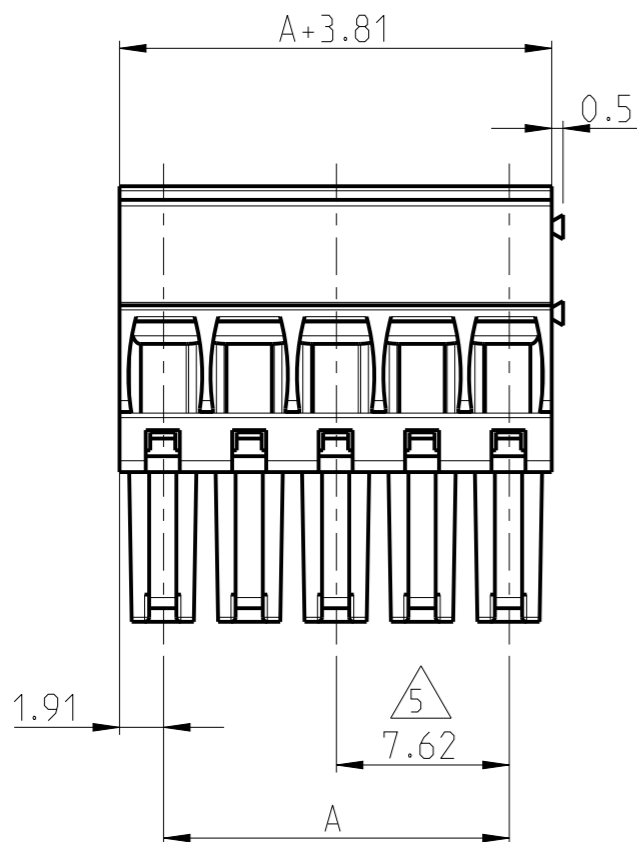
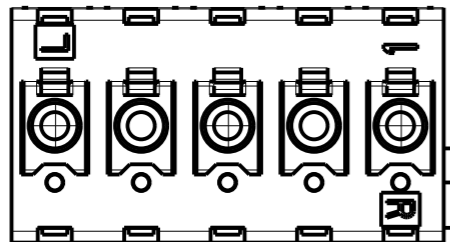


P	LTR	DESCRIPTION	DATE	DWN	APVD
	A	INITIAL RELEASE	02FEB2015	NV	PS



NOTES:

- MATERIALS & FINISH**
 HOUSING : PA6.6 , UL94 V0, COLOUR -GREEN
 SCREW M2 : COPPER ALLOY, NICKEL PLATED
 CLAMP : COPPER ALLOY, NICKEL PLATED
 SPRING CONTACT : COPPER ALLOY, TIN PLATED
- MECHANICAL**
 RECOMMENDED/ HIGHEST TIGHTENING TORQUE : 0.2/ 0.25 Nm
 INSERTION FORCE PER POLE :MAX 3N
 WITHDRAWAL FORCE PER POLE :MIN 1.5N
 WIRE STRIPPING LENGTH: 5 - 6 mm
- ELECTRICAL**
 WIRE RANGE : 30 - 14 AWG
 VOLTAGE RATING : 300 V
 CURRENT RATING : 10 A
 CONTACT RESISTANCE : <15 m Ohm
 INSULATION RESISTANCE : > 1000 M Ohm (500V DC)
- OPERATING TEMPERATURE** -40 °C TO +110 °C

△ TOLERANCE NOT CUMULATIVE

53.34	8	1986921-8
45.72	7	1986921-7
38.10	6	1986921-6
30.48	5	1986921-5
22.86	4	1986921-4
15.24	3	1986921-3
7.62	2	1986921-2
DIM "L"	NO OF POS	PART NUMBER

-3 AS SHOWN

THIS DRAWING IS A CONTROLLED DOCUMENT.		DWN NAGASHREE.V 02FEB2015	TE Connectivity													
DIMENSIONS: mm		CHK PRASHANTH.S 02FEB2015														
TOLERANCES UNLESS OTHERWISE SPECIFIED:		APVD PRASHANTH.S 02FEB2015	NAME EUROSTYLE FEMALE CONNECTOR MODULAR , RIGHT, PITCH 7.62mm													
<table border="0"> <tr><td>0 PLC</td><td>±</td></tr> <tr><td>1 PLC</td><td>±0.2</td></tr> <tr><td>2 PLC</td><td>±0.15</td></tr> <tr><td>3 PLC</td><td>±</td></tr> <tr><td>4 PLC</td><td>±</td></tr> <tr><td>ANGLES</td><td>±2°</td></tr> </table>		0 PLC	±	1 PLC	±0.2	2 PLC	±0.15	3 PLC	±	4 PLC	±	ANGLES	±2°	PRODUCT SPEC -	SIZE A3	CAGE CODE 00779
0 PLC	±															
1 PLC	±0.2															
2 PLC	±0.15															
3 PLC	±															
4 PLC	±															
ANGLES	±2°															
MATERIAL SEE NOTE 1		FINISH SEE NOTE 1	DRAWING NO 1986921	RESTRICTED TO -												
		WEIGHT -	SCALE 3:1	SHEET 1 OF 1												
		Customer Drawing	REV A													