

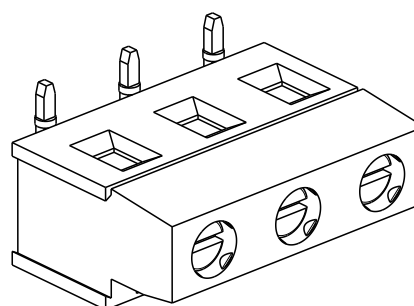
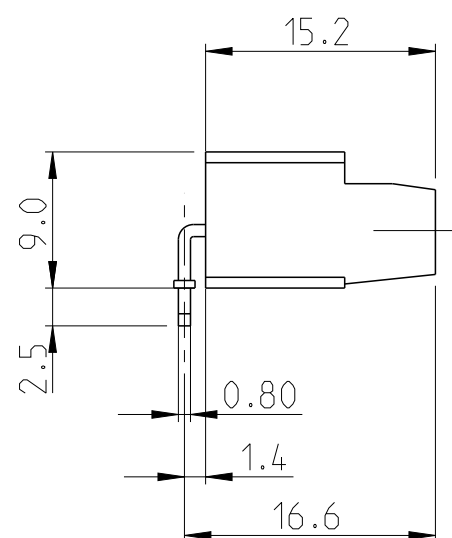
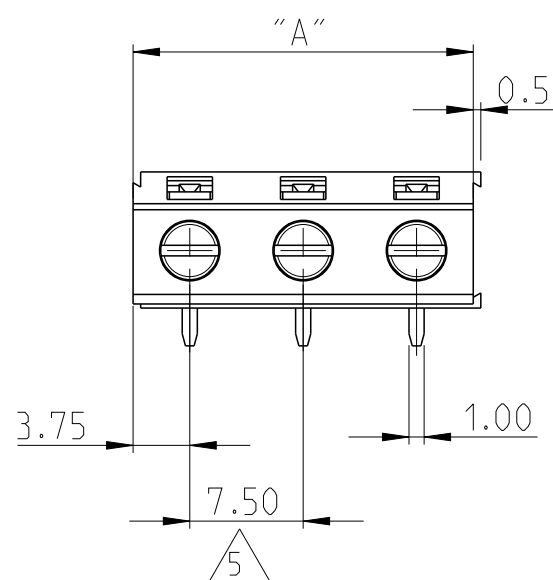
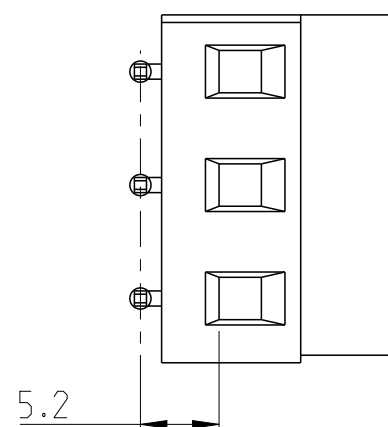
REVISIONS

P	LTR	DESCRIPTION	DATE	DWN	APVD
	A	NEW RELEASE	31DEC2014	AH	PS

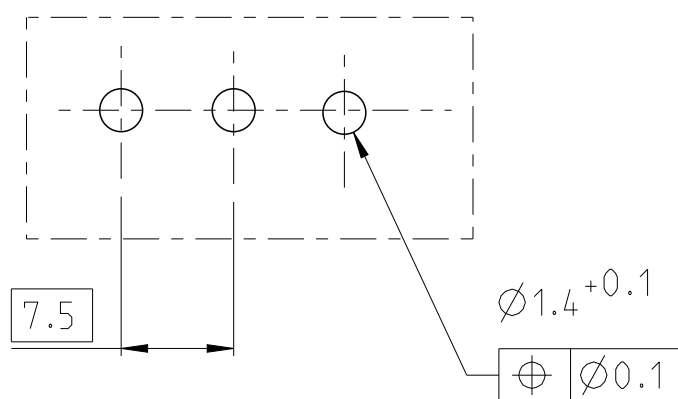
NOTES:

- MATERIALS & FINISH**
 HOUSING : PA6.6, UL94 V0, COLOR - GREEN
 SCREW M3 : BRASS, NICKEL PLATED
 CLAMP : BRASS, NICKEL PLATED
 CONTACT : BRASS, TIN PLATED
- MECHANICAL**
 RECOMMENDED/HIGHEST TIGHTENING TORQUE 0.5/0.6 Nm
 PCB THICKNESS: MAX. 1.6 mm
 STRIPPING LENGTH 5.5 TO 6.5 mm
- ELECTRICAL**
 WIRE RANGE: 30 - 12 AWG
 MAX. VOLTAGE : 300 V
 MAX CURRENT : 17.5 A (FACTORY WIRING); 15A (FIELD WIRING)
 CONTACT RESISTANCE <15 MΩ
 INSULATION RESISTANCE : > 1000 MΩ (500V DC)
- OPERATING TEMPERATURE RANGE : -40 °C TO +110 °C**


△ TOLERANCE NOT CUMULATIVE.



RECOMMENDED PCB HOLE LAYOUT



30.0	04	1986900-4
22.5	03	1986900-3
15.0	02	1986900-2
DIM 'A'	NO. OF POS.	PART NO

THIS DRAWING IS A CONTROLLED DOCUMENT.		DWN ASHIK H 16DEC2014	 TE Connectivity	
DIMENSIONS: mm		CHK PRASHANTH 30DEC2014		
TOLERANCES UNLESS OTHERWISE SPECIFIED:		APVD JAYANTH KUMAR 30DEC2014		
0 PLC ± 1 PLC ±0.2 2 PLC ±0.15 3 PLC ± 4 PLC ± ANGLES ±°		PRODUCT SPEC -		
MATERIAL SEE NOTES		FINISH -	NAME EUROSTYLE TERMINAL BLOCK 270 DEG, BOTTOM ENTRY MODULAR, PITCH 7.5MM	
-		Customer Drawing	SIZE A3	CAGE CODE 00779
			DRAWING NO 1986900	RESTRICTED TO -
			SCALE 2:1	SHEET 1 OF 1
				REV A