

THIS DRAWING IS UNPUBLISHED.

RELEASED FOR PUBLICATION

20

© COPYRIGHT 20 BY -

ALL RIGHTS RESERVED.

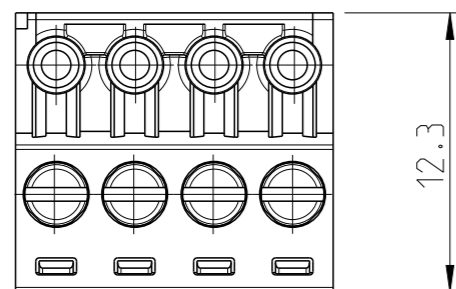
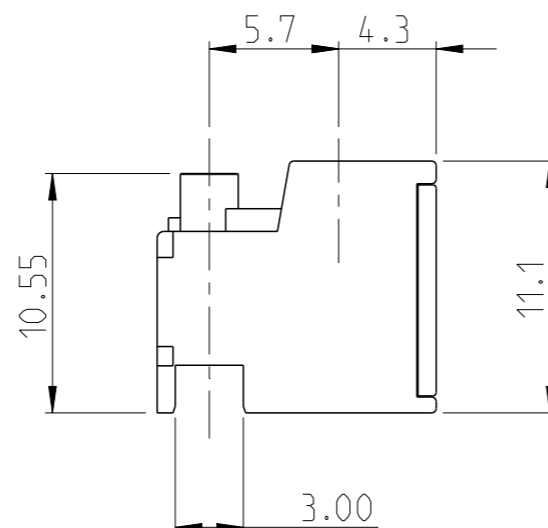
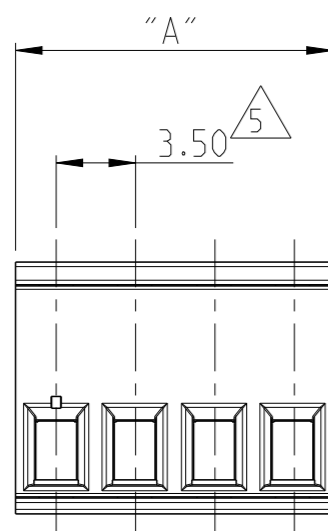
REVISIONS

| P | LTR | DESCRIPTION | DATE      | DWN | APVD |
|---|-----|-------------|-----------|-----|------|
|   | A   | NEW RELEASE | 26DEC2014 | PS  | JK   |
|   |     |             |           |     |      |
|   |     |             |           |     |      |

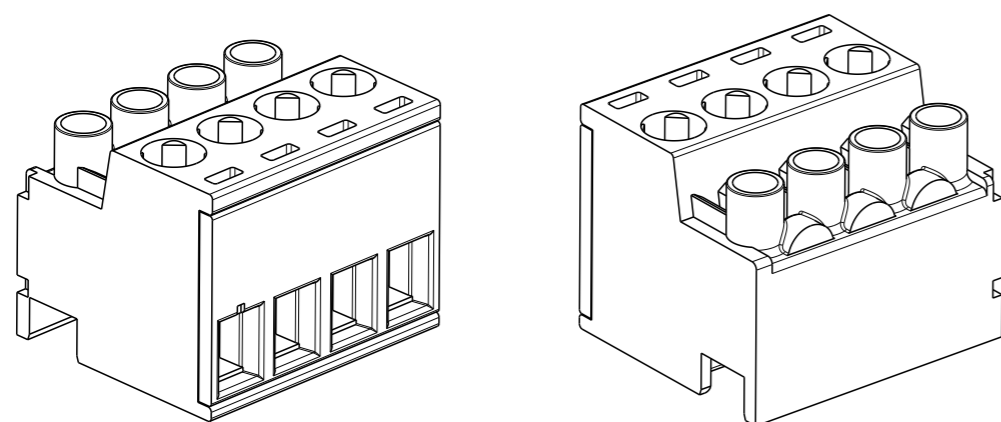
NOTES:

- MATERIALS & FINISH**  
 HOUSING : PA6.6 , UL94 V0, COLOR -GREEN  
 SCREW M2 : COPPER ALLOY, NICKEL PLATED  
 CLAMP : COPPER ALLOY, NICKEL PLATED  
 CONTACT : COPPER ALLOY, TIN PLATED
- MECHANICAL**  
 RECOMMENDED TIGHTENING TORQUE : 0.2 Nm  
 INSERTION FORCE PER POLE : MAX 2.5N  
 WITHDRAWAL FORCE PER POLE : MIN 4.5N  
 WIRE STRIPPING LENGTH: 5.0 - 6.0 mm
- ELECTRICAL**  
 WIRE RANGE : 30 - 16 AWG  
 VOLTAGE RATING : 300 V  
 CURRENT RATING : 10 A  
 CONTACT RESISTANCE : <15 m Ohm  
 INSULATION RESISTANCE : > 1000 M Ohm (500V DC)
- OPERATING TEMPERATURE RANGE:** -40 °c TO +110 °C

△ TOLERANCE NOT CUMULATIVE.



-4 AS SHOWN



|         |            |             |
|---------|------------|-------------|
| 28.0    | 08         | 1986880-8   |
| 24.5    | 07         | 1986880-7   |
| 21.0    | 06         | 1986880-6   |
| 17.5    | 05         | 1986880-5   |
| 14.0    | 04         | 1986880-4   |
| 10.5    | 03         | 1986880-3   |
| 7.0     | 02         | 1986880-2   |
| DIM "A" | NO.OF POS. | PART NUMBER |

THIS DRAWING IS A CONTROLLED DOCUMENT.

DWN PRASHANTH 23DEC2014

CHK PRASHANTH 24DEC2014

APVD JAYANTH KUMAR 24DEC2014

PRODUCT SPEC

APPLICATION SPEC

WEIGHT

Customer Drawing



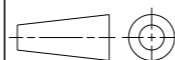
NAME EUROSTYLE TERMINAL BLOCK, MODULAR, 2 WAY,SIDE STACKABLE, PITCH 3.5mm

SIZE A3 CAGE CODE 00779 DRAWING NO C-1986880 RESTRICTED TO

SCALE 3:1 SHEET 1 OF 1 REV A

DIMENSIONS: mm

TOLERANCES UNLESS OTHERWISE SPECIFIED:



|        |       |
|--------|-------|
| 0 PLC  | ±0.2  |
| 1 PLC  | ±0.15 |
| 2 PLC  | ±0.15 |
| 3 PLC  | ±0.15 |
| 4 PLC  | ±0.15 |
| ANGLES | ±2°   |

MATERIAL SEE NOTES

FINISH