

THIS DRAWING IS UNPUBLISHED.

RELEASED FOR PUBLICATION

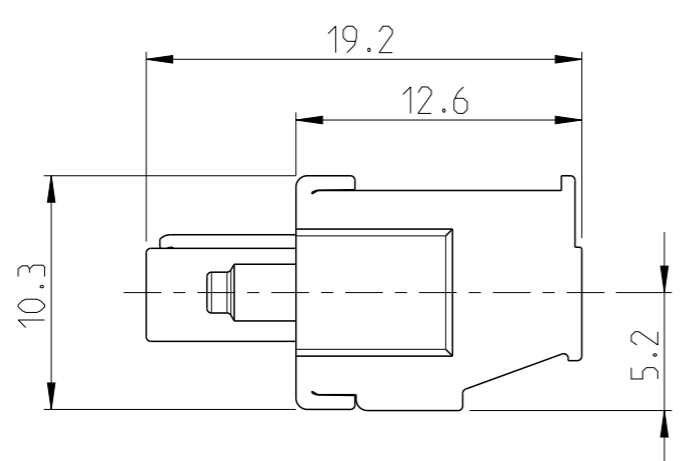
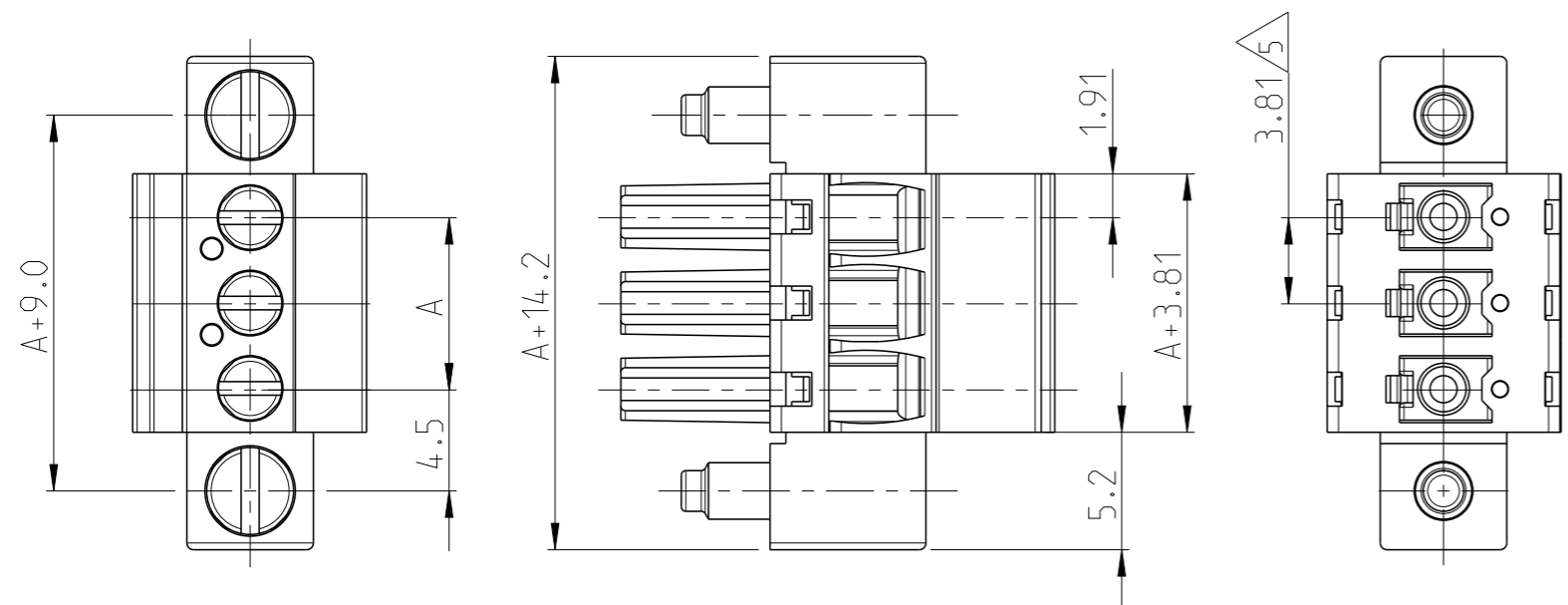
20

REVISIONS

© COPYRIGHT 20 BY -

ALL RIGHTS RESERVED.

P	LTR	DESCRIPTION	DATE	DWN	APVD
	A	INITIAL RELEASE	02JAN2015	NV	PS

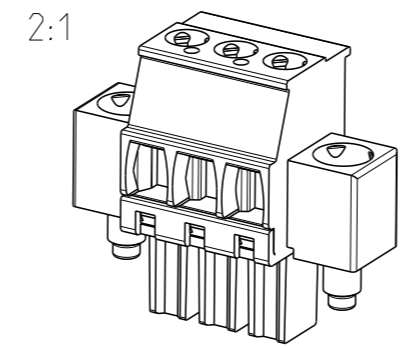


NOTES:

- MATERIALS & FINISH**  
 HOUSING : PA6.6 , UL94 V0, COLOUR -GREEN  
 SCREW M2 : COPPER ALLOY, NICKEL PLATED  
 CLAMP : BRASS, NICKEL PLATED  
 SPRING CONTACT : COPPER ALLOY, TIN PLATED
  - MECHANICAL**  
 RECOMMENDED/ HIGHEST TIGHTENING TORQUE : 0.2/0.25 Nm  
 INSERTION FORCE PER POLE : MAX 3.N  
 WITHDRAWAL FORCE PER POLE : MIN 1.5N  
 WIRE STRIPPING LENGTH: 5.0 - 6.0 mm
  - ELECTRICAL**  
 WIRE RANGE : 30 - 14 AWG  
 VOLTAGE RATING : 300 V  
 CURRENT RATING : 10 A  
 CONTACT RESISTANCE : <15 m Ohm  
 INSULATION RESISTANCE : > 1000 M Ohm (500V DC)
  - OPERATING TEMPERATURE BETWEEN -40°C TO +110°C**
- △ TOLERANCE NOT CUMULATIVE

-3 AS SHOWN

57.15	16	1-1986822-6
53.34	15	1-1986822-5
49.53	14	1-1986822-4
45.72	13	1-1986822-3
41.91	12	1-1986822-2
38.10	11	1-1986822-1
34.29	10	1-1986822-0
30.48	9	1986822-9
26.67	8	1986822-8
22.86	7	1986822-7
19.05	6	1986822-6
15.24	5	1986822-5
11.43	4	1986822-4
7.62	3	1986822-3
3.81	2	1986822-2
DIM "A"	NO OF POS.	PART NUMBER



THIS DRAWING IS A CONTROLLED DOCUMENT.

DIMENSIONS:	TOLERANCES UNLESS OTHERWISE SPECIFIED:
mm	
	0 PLC ±
	1 PLC ±0.2
	2 PLC ±0.15
	3 PLC ±
	4 PLC ±
	ANGLES ±2°
MATERIAL SEE NOTE 1	FINISH SEE NOTE 1

DWN	NAGASHREE.V	02JAN2015
CHK	PRASHANTH.S	02JAN2015
APVD	PRASHANTH.S	02JAN2015
PRODUCT SPEC	-	
APPLICATION SPEC	-	
WEIGHT	-	
Customer Drawing		

TE Connectivity		NAME	
		TERMINAL BLOCK, VERTICAL FEMALE, LEFT VER. WITH LOCKING SCREW FLANGES, PITCH 3.81MM	
SIZE	CAGE CODE	DRAWING NO	RESTRICTED TO
A3	00779	1986822	-
SCALE 3:1		SHEET 1 OF 1	REV A