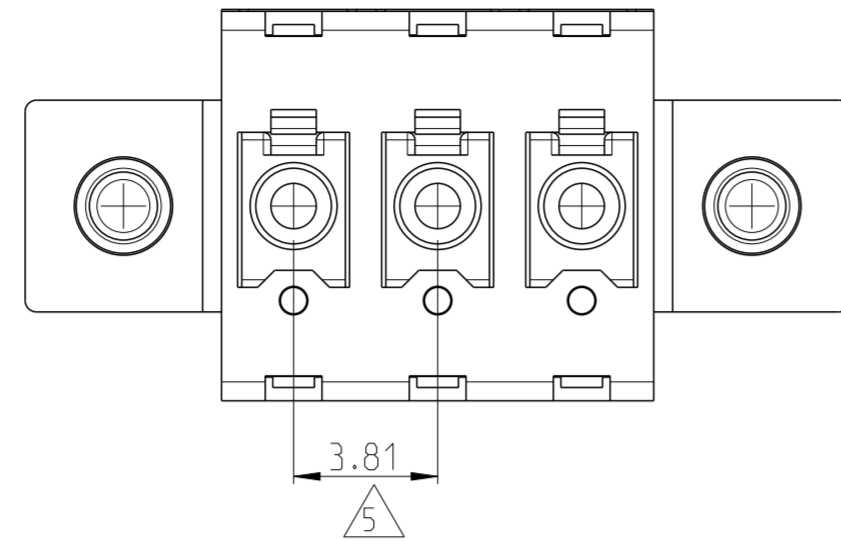


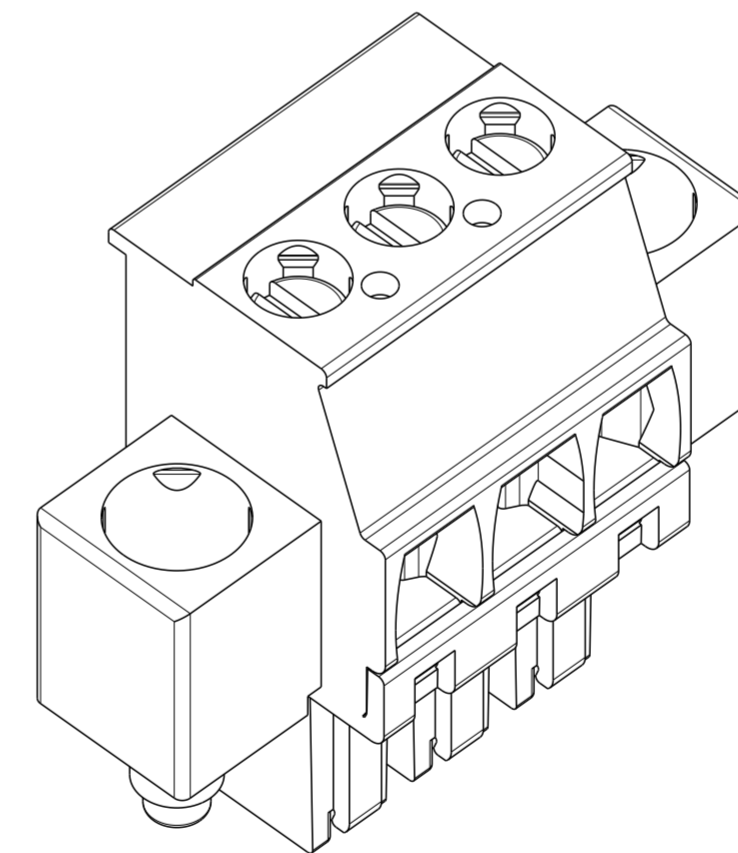
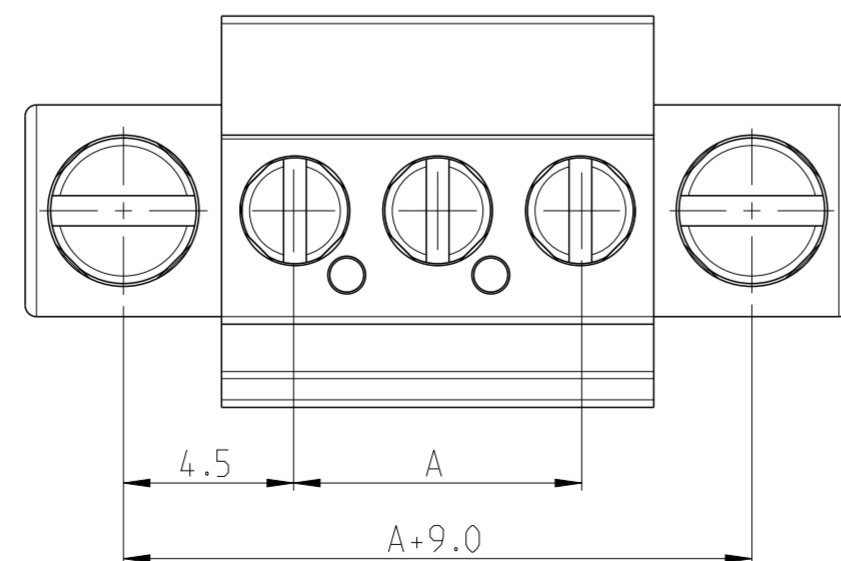
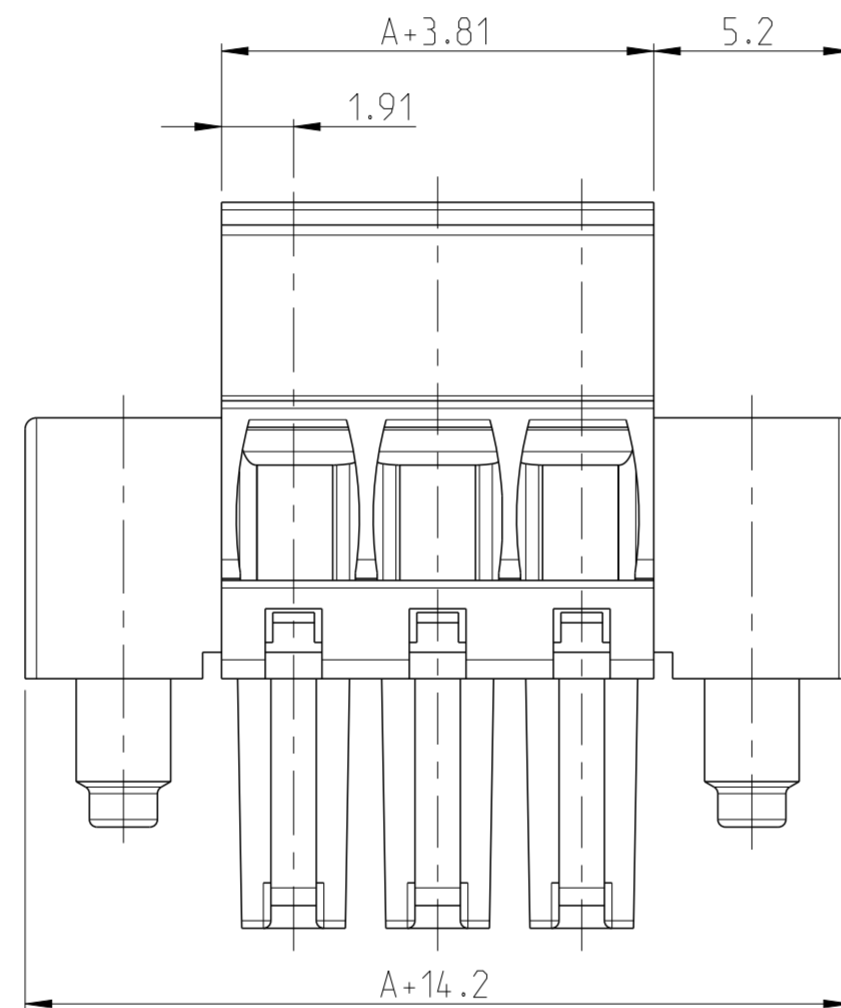
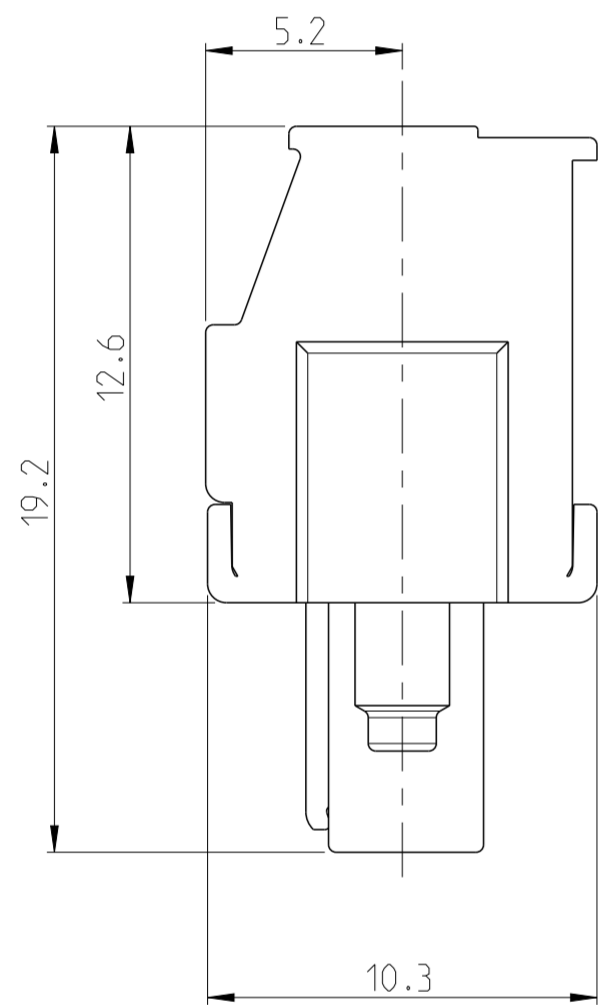
THIS DRAWING IS UNPUBLISHED. RELEASED FOR PUBLICATION 20  
 © COPYRIGHT 20 BY - ALL RIGHTS RESERVED.

REVISIONS					
P	LTR	DESCRIPTION	DATE	DWN	APVD
	A	INITIAL RELEASE	23DEC2014	TJ	JK



NOTES:

- MATERIALS & FINISH**  
 HOUSING : PA6.6 , UL94 V0, COLOR -GREEN  
 SCREW M2 : COPPER ALLOY, NICKEL PLATED  
 CLAMP : BRASS, NICKEL PLATED  
 SPRING CONTACT : COPPER ALLOY, TIN PLATED
  - MECHANICAL**  
 INSERTION FORCE PER POLE : MAX 3N  
 WITHDRAWAL FORCE PER POLE : MIN 1.5N  
 RECOMMENDED/ HIGHEST TIGHTENING TORQUE : 0.2/0.25 Nm  
 WIRE STRIPPING LENGTH: 5.0 - 6.0 mm
  - ELECTRICAL**  
 WIRE RANGE : 30 - 14 AWG  
 VOLTAGE RATING : 300 V  
 CURRENT RATING : 10 A  
 CONTACT RESISTANCE : <15 m Ohm  
 INSULATION RESISTANCE : > 1000 M Ohm (500V DC)
  - OPERATING TEMPERATURE RANGE: -40 °C TO +110 °C**
- △ TOLERANCE NOT CUMULATIVE



57.15	16	1-1986820-6
53.34	15	1-1986820-5
49.53	14	1-1986820-4
45.72	13	1-1986820-3
41.91	12	1-1986820-2
38.10	11	1-1986820-1
34.29	10	1-1986820-0
30.48	09	1986820-9
26.67	08	1986820-8
22.86	07	1986820-7
19.05	06	1986820-6
15.24	05	1986820-5
11.43	04	1986820-4
7.62	03	1986820-3
3.81	02	1986820-2
DIM "A"	NO.OF POS.	PART NUMBER

-3 AS SHOWN

THIS DRAWING IS A CONTROLLED DOCUMENT.		DWN M THAJUDEEN 23DEC2014	TE Connectivity	
DIMENSIONS: mm		CHK PRASHANTH S 23DEC2014		
TOLERANCES UNLESS OTHERWISE SPECIFIED:		APVD JAYANTH KUMAR 23DEC2014	NAME TERMINAL BLOCK, VERTICAL FEMALE RIGHT VERSION, WITH LOCKING SCREW FLANGES - 3.81mm PITCH	
0 PLC ± 1 PLC ±0.2 2 PLC ±0.15 3 PLC ± 4 PLC ±		PRODUCT SPEC	SIZE A2	CAGE CODE 00779
MATERIAL REFER NOTES		FINISH REFER NOTES	DRAWING NO C-1986820	RESTRICTED TO -
MATERIAL REFER NOTES		WEIGHT -	SCALE 5:1	SHEET 1 OF 1
Customer Drawing		REV A		