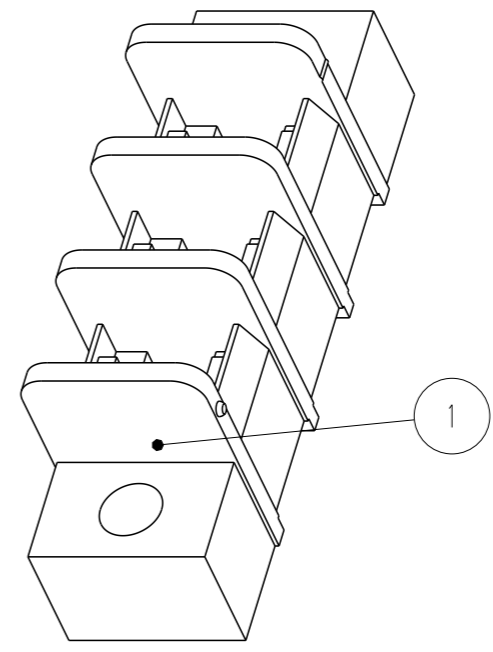
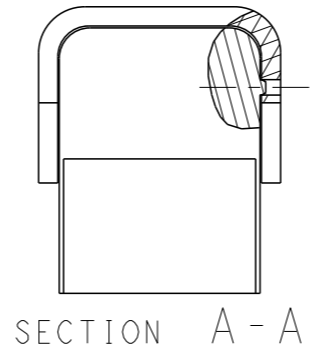
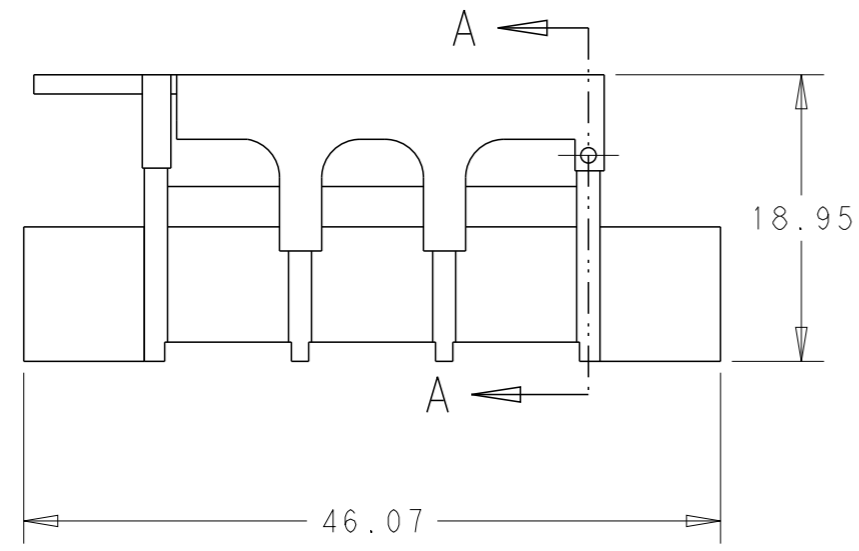
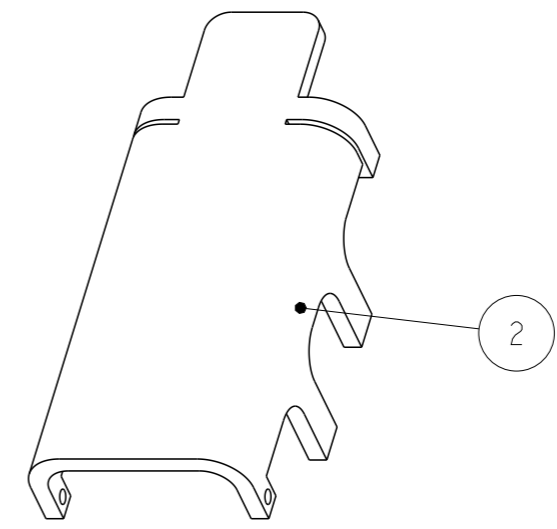
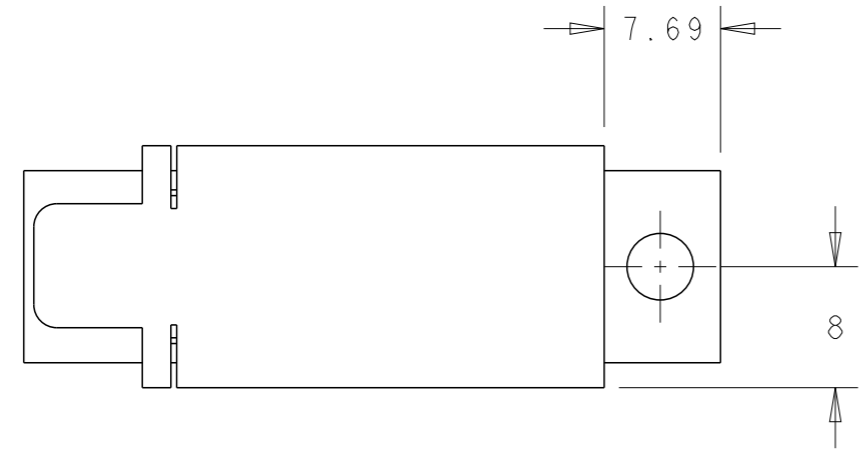


THIS DRAWING IS UNPUBLISHED. RELEASED FOR PUBLICATION 20  
 © COPYRIGHT 20 BY - ALL RIGHTS RESERVED.

LOC		DIST		REVISIONS			
P	LTR	DESCRIPTION		DATE	DWN	APVD	
-	-	1	NEW DRAWING	10APR2013	KH	MB	



1986781	2
1986783	1
PART NO	ITEM NO

DESIGN APPROVED THIS PRINT IS  
**PRELIMINARY**  
 TO FIRST PIECE APPROVAL  
 CONTACT PRODUCT ENGINEERING  
 BEFORE USING THIS PRINT

THIS DRAWING IS A CONTROLLED DOCUMENT.

DIMENSIONS: mm	TOLERANCES UNLESS OTHERWISE SPECIFIED: 0 PLC ±.5 1 PLC ±0.13 2 PLC ±0.013 3 PLC ±0.0001 4 PLC ANGLES ±.	DWN KIRAN HOLAL 09APR2013	TE Connectivity NAME Custom .375 COVERED BARRIER STRIP ASM SIZE CAGE CODE DRAWING NO RESTRICTED TO A300779 C-1986780 -
MATERIAL -	FINISH -	CHK BRUBAKER MARK 09APR2013	
		APVD BRUBAKER MARK 09APR2013	
		PRODUCT SPEC - APPLICATION SPEC - WEIGHT -	
		Customer Drawing	SCALE 2:1 SHEET 1 OF 1 REV 1