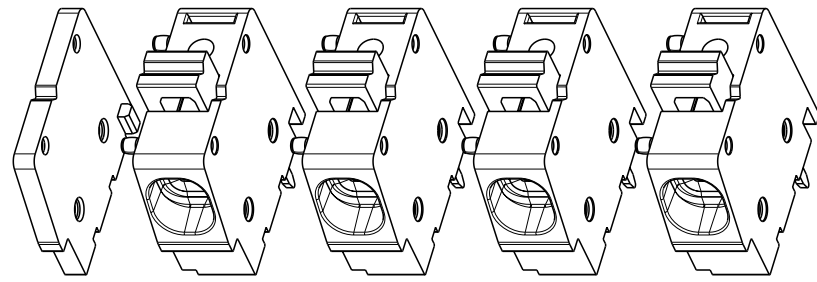
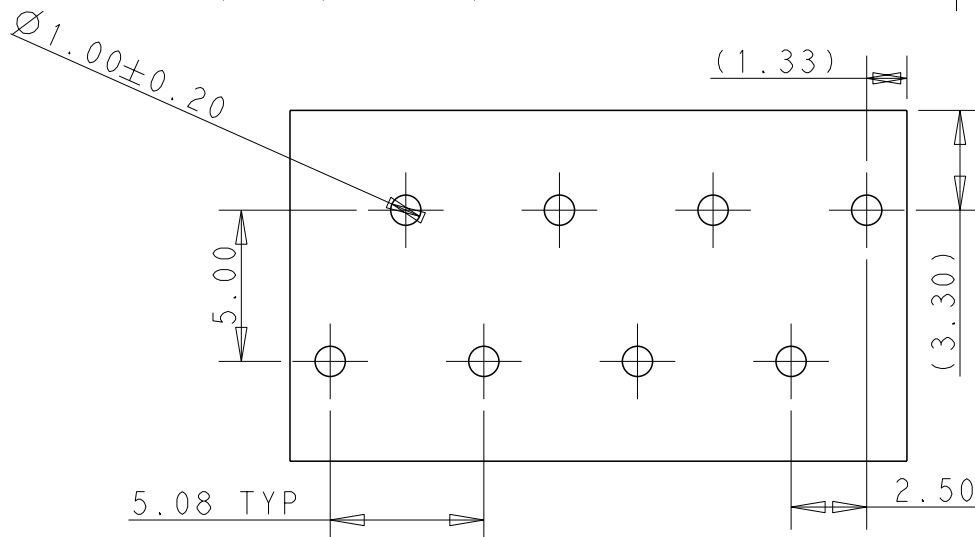
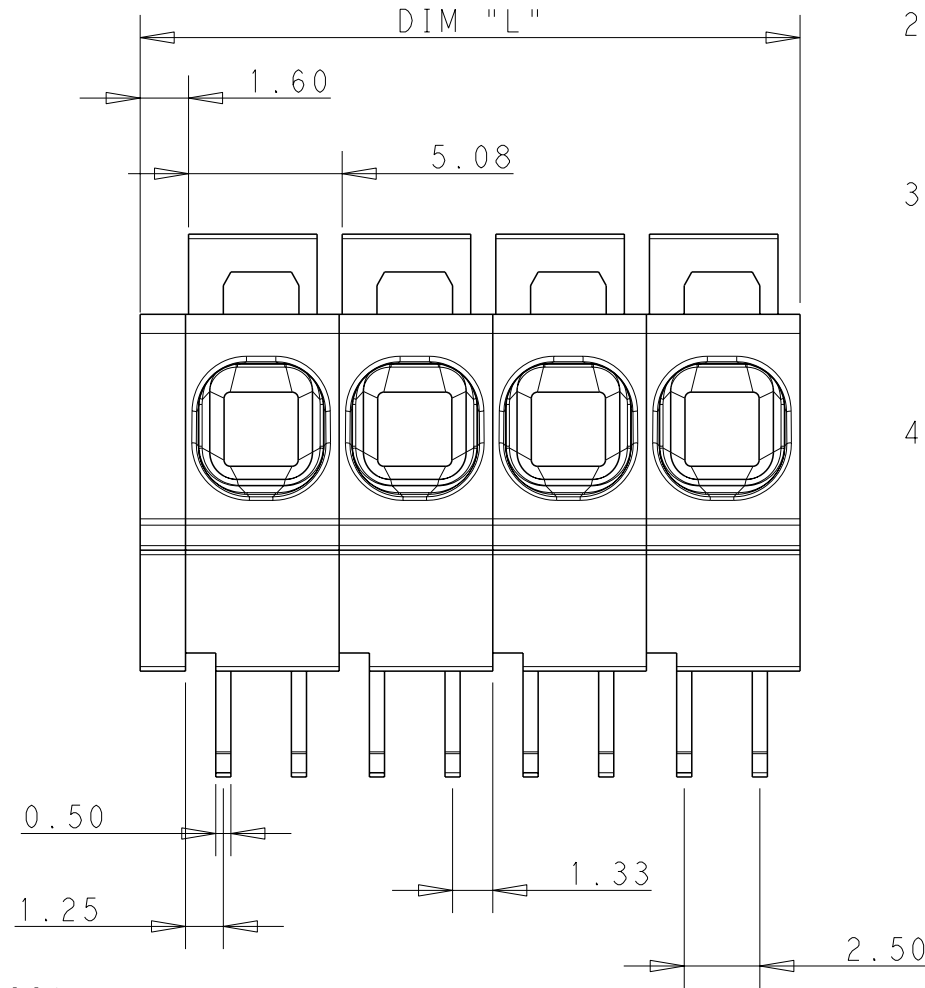
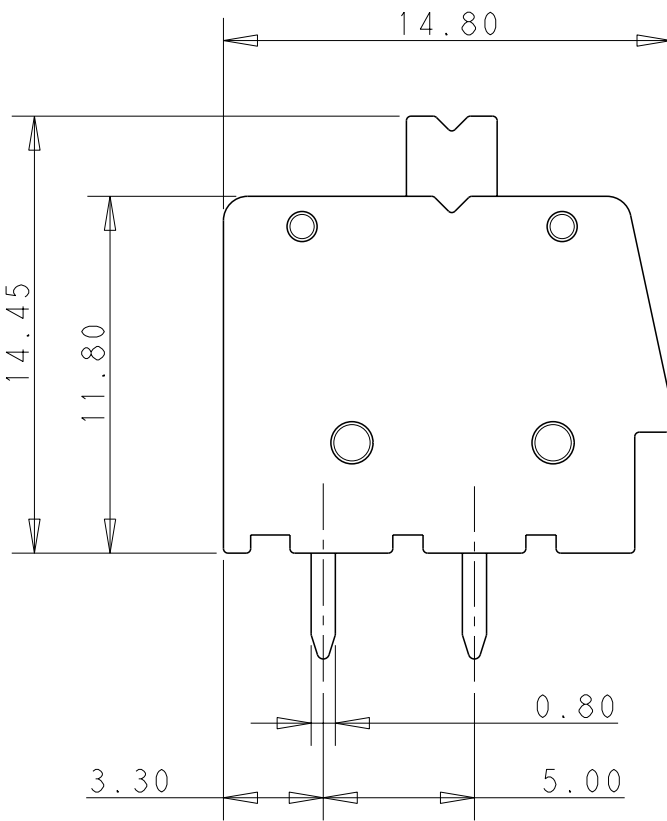
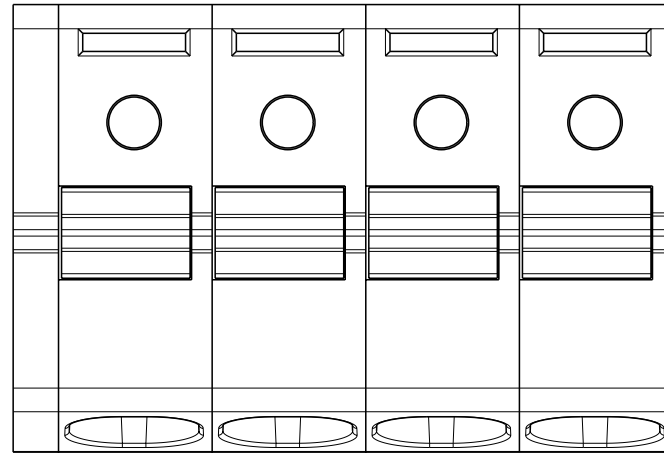


P	LTR	DESCRIPTION	DATE	DWN	APVD
	B	PLATING INFORMATION ADDED	16JUL2019	RK	PS
	C	CHANGING THE PUSH BUTTON COLOR TO ORANGE	09MAY2023	SP	PS



SCALE 2:1
-4 AS SHOWN



- MATERIAL:**
 HOUSING - PA (PLYAMIDE) ,UL94 V0, COLOR - GREEN
 PUSH BUTTON- PA (POLYAMIDE), COLOR - ORANGE
 CLAMPING SPRING - STAINLESS STEEL
 PIN - COPPER ALLOY(CuCr) -BRIGHT TIN PLATED,
 OVER NICKEL UNDERPLATE
- MECHANICAL:**
 MIN. PC BOARD HOLES DIAMETER : 1.2 mm
 MAX. PC BOARD THICKNESS : 2.4 mm
 WIRE STRIPPING LENGTH : 11 mm
- ELECTRICAL:**
 WIRE RANGE : 12-30 AWG (2.5mm2 TO 0.2mm2)
 RATED VOLTAGE : 300V
 RATED CURRENT : 15A
 CONTACT RESISTANCE : <15 m Ohm
 INSULATION RESISTANCE : >1000 M Ohm (500V DC)
- OPERATING TEMPERATURE RANGE : -40°C TO +105°C**

62.46	12	1-1986775-2
57.38	11	1-1986775-1
52.30	10	1-1986775-0
47.22	9	1986775-9
42.14	8	1986775-8
37.06	7	1986775-7
31.98	6	1986775-6
26.90	5	1986775-5
21.82	4	1986775-4
16.74	3	1986775-3
11.66	2	1986775-2
DIM "L"	POLE	PART NO

THIS DRAWING IS A CONTROLLED DOCUMENT.

DIMENSIONS:	TOLERANCES UNLESS OTHERWISE SPECIFIED:
mm	
	0 PLC ±-
	1 PLC ±0.5
	2 PLC ±0.25
	3 PLC ±-
	4 PLC ±-
	ANGLES ±1°
MATERIAL	FINISH
-	-

DWN	12OCT2012
KIRAN HOLAL	
CHK	12OCT2012
MARK BRUBAKER	
APVD	12OCT2012
MARK BRUBAKER	
PRODUCT SPEC	
APPLICATION SPEC	
WEIGHT	-
CUSTOMER DRAWING	

		NAME	
		SPRING TYPE, SIDE WIRE ENTRY TERMINAL BLOCK PITCH 5.08MM	
SIZE	CAGE CODE	DRAWING NO	RESTRICTED TO
A300779	C=1986775		-
SCALE 1:4		SHEET 1 OF 1	REV C