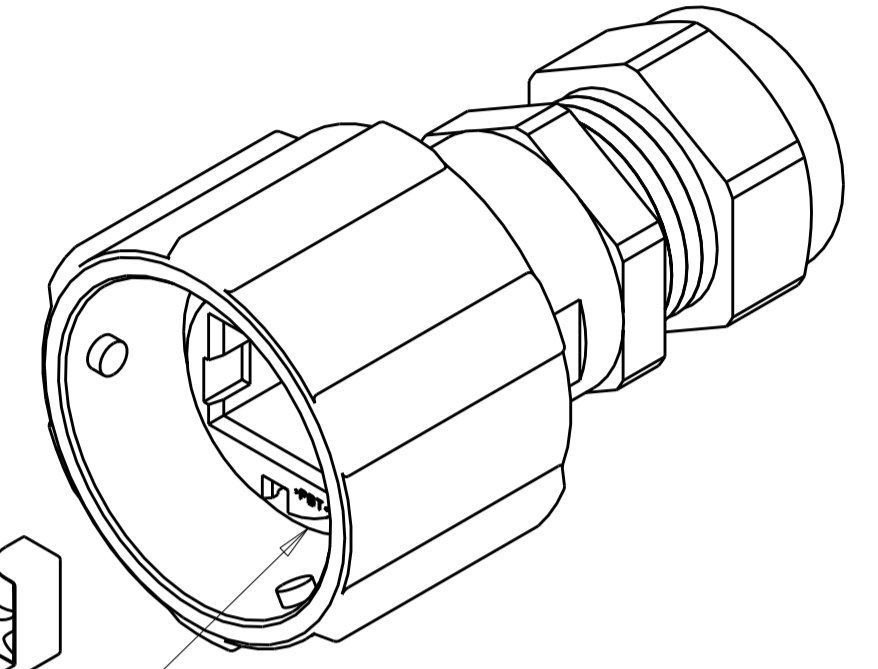


THIS DRAWING IS UNPUBLISHED. RELEASED FOR PUBLICATION 20
 © COPYRIGHT 20 BY TYCO ELECTRONICS CORPORATION. ALL RIGHTS RESERVED.

LOC		DIST		REVISIONS			
P	LTR	DESCRIPTION	DATE	DWN	APVD		
FT	0		17JAN2008	SS	MS		

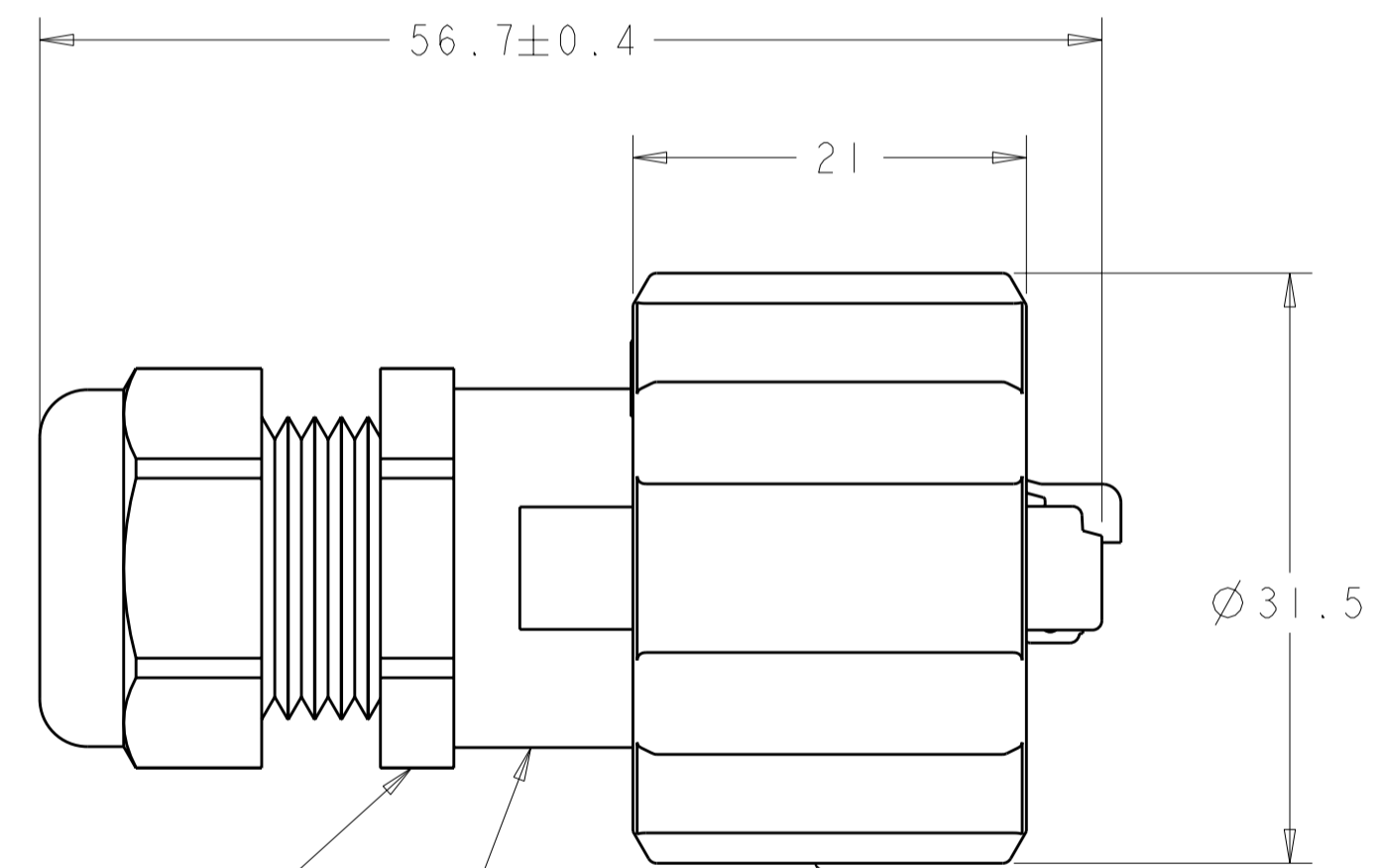
19.1 REF
HEX FLATS

MODULAR PLUG ASSEMBLY
 RJ-45, CAT6, 8 POSITION-SEE TABULATION BELOW
 HOUSING - CLEAR POLYCARBONATE
 CONTACTS - PHOSPHOR BRONZE, GOLD OVER NICKEL



INTERFACE SEAL ⁴
 ELASTOMER, COLOR: ORANGE-RED

SCALE 2:1



¹ CABLE FITTING
 POLYAMIDE AND ELASTOMER
 COLOR: BLACK

³ PLUG HOUSING
 POLYESTER, COLOR: BLACK

COUPLING RING
 POLYESTER, COLOR: BLACK

THIS PRINT IS
PRELIMINARY
 UNQUALIFIED PRODUCT
 CONTACT PRODUCT ENGINEERING
 BEFORE USING THIS PRINT

- ¹ CABLE DIAMETER RANGE, 5mm TO 6mm, SEE APPLICATION SPECIFICATION FOR PLUG TERMINATION INFORMATION.
- 2. PARTS PACKAGED UNASSEMBLED IN POLYBAG.
- ³ GEOMETRY CAN VARY.
- ⁴ ELASTOMER SEAL IS SECURED TO HOUSING WITH ADHESIVE.

24-26 AWG STRANDED	1986347-2
24-26 SOLID	1986347-1
CONDUCTOR TYPE	PART NUMBER

THIS DRAWING IS A CONTROLLED DOCUMENT FOR TYCO ELECTRONICS CORPORATION IT IS SUBJECT TO CHANGE AND THE CONTROLLING ENGINEERING ORGANIZATION SHOULD BE CONTACTED FOR THE LATEST REVISION.		DWN S. SCHLEGEL 16 JAN 2008	Tyco Electronics Harrisburg, PA 17105-3608	
DIMENSIONS: mm		CHK M. STRECKEWALD 16 JAN 2008	NAME PLUG KIT INDUSTRIAL ODVA ETHERNET CONNECTOR CAT6	
TOLERANCES UNLESS OTHERWISE SPECIFIED: 0 PLC ±- 1 PLC ±0.5 2 PLC ±0.13 3 PLC ±0.013 4 PLC ±0.0001 ANGLES ±- FINISH		APVD M. STRECKEWALD 16 JAN 2008	RESTRICTED TO	
MATERIAL		PRODUCT SPEC	SIZE A200779	CAGE CODE C-1986347
		APPLICATION SPEC	SCALE 5:2	SHEET OF
		WEIGHT	CUSTOMER DRAWING	REV