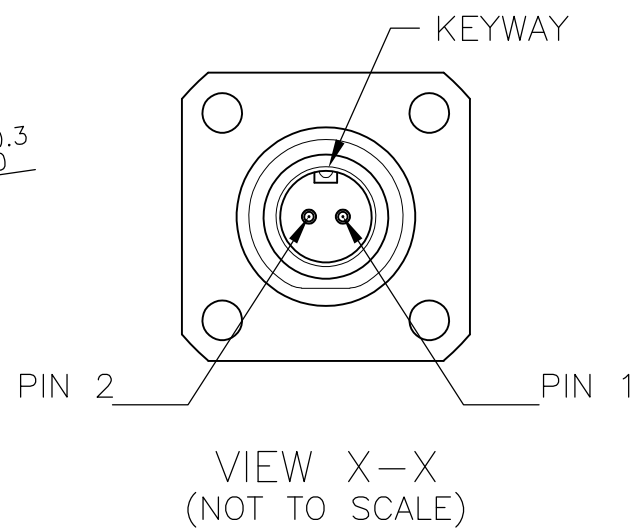
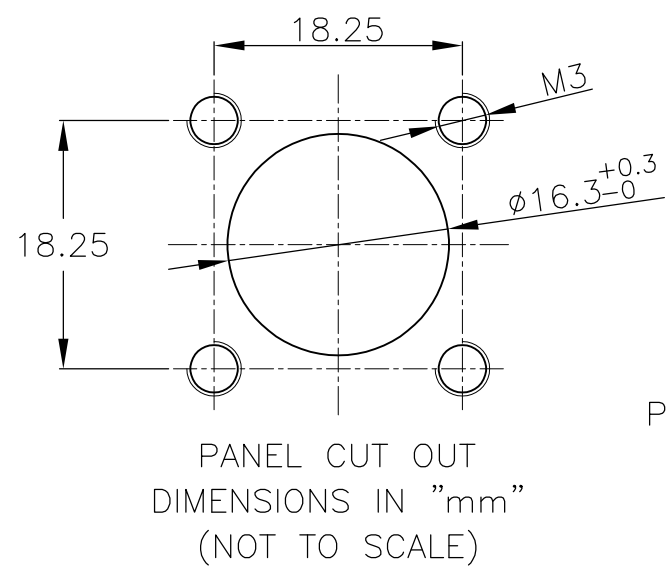
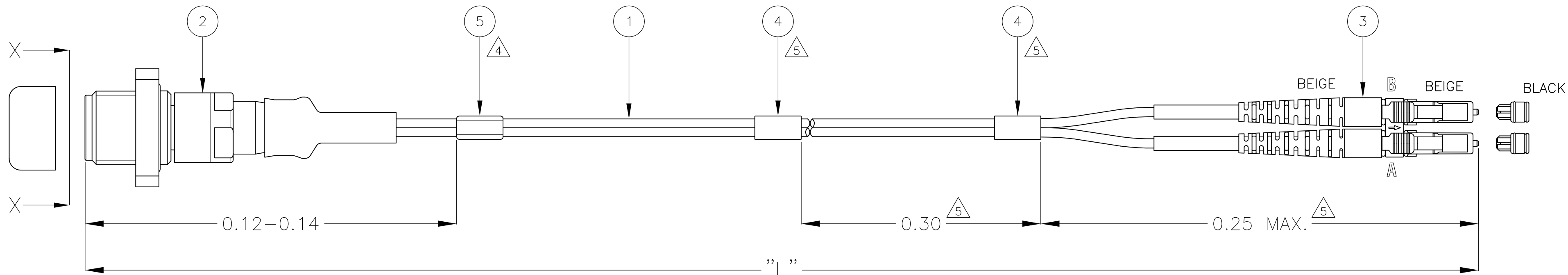


THIS DRAWING IS UNPUBLISHED. RELEASED FOR PUBLICATION  
 © COPYRIGHT - By - ALL RIGHTS RESERVED.

LOC	DIST	REVISIONS			
P	LTR	DESCRIPTION	DATE	DWN	APVD
H	-				
C		ECR-11-005403	01APR2011	RC	AH



FIBER CONNECTIVITY	
ODC SOCKET	LC CONN.
PIN 1	A
PIN 2	B



STANDARD LENGTHS ACCORDING TO CUSTOMER DRAWING 1985945	
PART NUMBER	"L" (meter) <sup>3</sup>
X-1985841-Y	X.Y0

NOTES:

- 1 REFER TO TE CONNECTIVITY CUSTOMER DRAWING 2064160 FOR CABLE ASSEMBLY LOSS AND WAVELENGTHS THAT CABLE ASSEMBLY LOSS WILL BE TESTED TO
- 2 MINIMUM RETURN LOSS: 20 dB FOR BOTH ODC AND LC DUPLEX CONNECTOR RETURN LOSS WILL BE TESTED AT 850 nm AND 1300 nm WAVELENGTHS
- <sup>3</sup> STANDARD LENGTHS AND LENGTH TOLERANCE ACC. TO TE CONNECTIVITY CUSTOMER DRAWING 1985945
- <sup>4</sup> INFORMATION ON LABEL SEE DETAIL:
  - BARCODE
  - UNIQUE SERIAL NUMBER
  - ASSEMBLY LENGTH
  - TE CONNECTIVITY PART NUMBER
  - TE CONNECTIVITY ORDER NUMBER
- \* FOR L < 0.4 METER LABEL IS PLACED INSIDE OR WITH THE UNIT PACKAGE
- <sup>5</sup> ONE PIECE OF ITEM 4 IS PLACED AT THE BREAKOUT POINT OF THE ASSEMBLY OTHER PIECES REPEATED AT APPROXIMATELY 0.30 METER FROM EACH OTHER
- \* BREAKOUT DIMENSION DOES NOT APPLY FOR L < 0.4 METER

1	FOAC INFORMATION LABEL	5
<sup>5</sup> AR	FOAC EXPANDABLE TUBING, BLACK	4
1	LC DUPLEX CONNECTOR ASSEMBLY, MULTI MODE, BEIGE	3
1	FOKIT ODC SOCKET ASSEMBLY, 2 FIBER, MULTI MODE, VINYL CAP	2
L	FOCAB ODC 1.9 mm 2FOLD, MULTI MODE 62.5/125, ORANGE	1
Qty	Description	Item

THIS DRAWING IS A CONTROLLED DOCUMENT.		DWN R. COOLEN 23DEC2008		
DIMENSIONS: METERS		CHK A. HENGELMOLEN 19FEB2009		
TOLERANCES UNLESS OTHERWISE SPECIFIED:		APVD A. HENGELMOLEN 19FEB2009	NAME	
0 PLC ± -		PRODUCT SPEC	FIBER OPTIC ODC LEAD	
1 PLC ± -		APPLICATION SPEC	2 FOLD SOCKET - LC DUPLEX	
2 PLC ± -			MULTI MODE 62.5/125	
3 PLC ± -			SIZE A2	CAGE CODE 00779
4 PLC ± -			DRAWING NO C=1985841	RESTRICTED TO
ANGLES ± -			SCALE NTS	SHEET 1 of 1
FINISH		WEIGHT -	REV C	
MATERIAL -		CUSTOMER DRAWING		

ODC IS A TRADEMARK OF HUBER & SUHNER AG CORPORATION