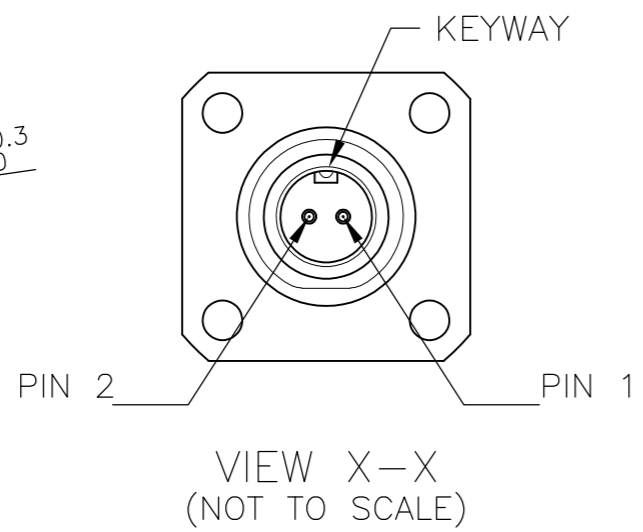
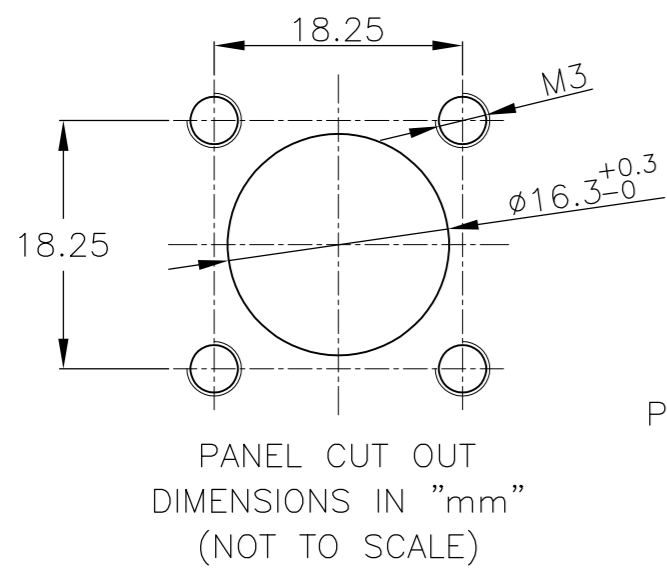
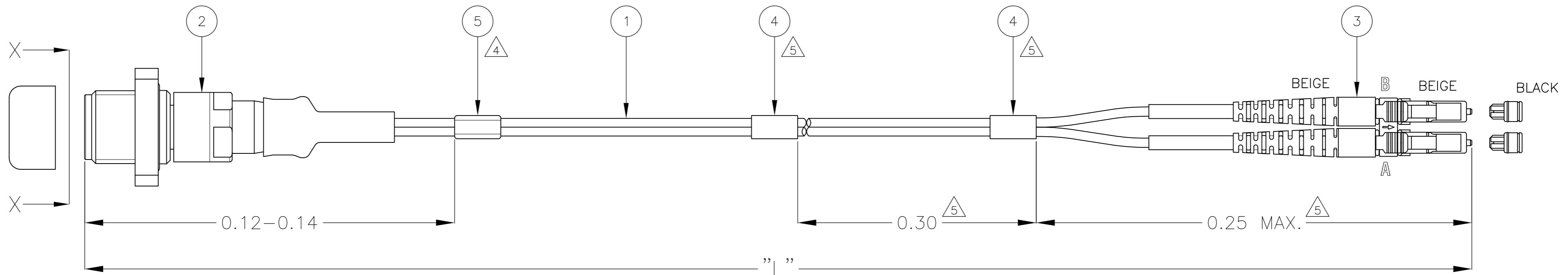


THIS DRAWING IS UNPUBLISHED. RELEASED FOR PUBLICATION  
 © COPYRIGHT - By - ALL RIGHTS RESERVED.

LOC	DIST	REVISIONS			
P	LTR	DESCRIPTION	DATE	DWN	APVD
H	-				
C		ECR-11-005403	01APR2011	RC	AH



FIBER CONNECTIVITY	
ODC SOCKET	LC CONN.
PIN 1	A
PIN 2	B

LABEL DETAIL:  $\triangle 4$



STANDARD LENGTHS ACCORDING TO CUSTOMER DRAWING 1985945	
PART NUMBER	"L" (meter) $\triangle 3$
X-1985840-Y	X.Y0

NOTES:

- 1 REFER TO TE CONNECTIVITY CUSTOMER DRAWING 2064160 FOR CABLE ASSEMBLY LOSS AND WAVELENGTHS THAT CABLE ASSEMBLY LOSS WILL BE TESTED TO
- 2 MINIMUM RETURN LOSS: 20 dB FOR BOTH ODC AND LC DUPLEX CONNECTOR RETURN LOSS WILL BE TESTED AT 850 nm AND 1300 nm WAVELENGTHS
- $\triangle 3$  STANDARD LENGTHS AND LENGTH TOLERANCE ACC. TO TE CONNECTIVITY CUSTOMER DRAWING 1985945
- $\triangle 4$  INFORMATION ON LABEL SEE DETAIL:
  - BARCODE
  - UNIQUE SERIAL NUMBER
  - ASSEMBLY LENGTH
  - TE CONNECTIVITY PART NUMBER
  - TE CONNECTIVITY ORDER NUMBER
- \* FOR L < 0.4 METER LABEL IS PLACED INSIDE OR WITH THE UNIT PACKAGE
- $\triangle 5$  ONE PIECE OF ITEM 4 IS PLACED AT THE BREAKOUT POINT OF THE ASSEMBLY OTHER PIECES REPEATED AT APPROXIMATELY 0.30 METER FROM EACH OTHER
- \* BREAKOUT DIMENSION DOES NOT APPLY FOR L < 0.4 METER

Qty	Description	Item
1	FOAC INFORMATION LABEL	5
$\triangle 5$ AR	FOAC EXPANDABLE TUBING, BLACK	4
1	LC DUPLEX CONNECTOR ASSEMBLY, MULTI MODE, BEIGE	3
1	FOKIT ODC SOCKET ASSEMBLY, 2 FIBER, MULTI MODE, VINYL CAP	2
L	FOCAB ODC 1.9 mm 2FOLD, MULTI MODE 50/125, ORANGE	1

THIS DRAWING IS A CONTROLLED DOCUMENT.		DWN R. COOLEN 01MAR2009																				
DIMENSIONS: METERS		CHK A. HENGELMOLEN 01MAR2009																				
TOLERANCES UNLESS OTHERWISE SPECIFIED:		APVD A. HENGELMOLEN 01MAR2009	NAME																			
<table border="0"> <tr><td>0 PLC</td><td>±</td><td>-</td></tr> <tr><td>1 PLC</td><td>±</td><td>-</td></tr> <tr><td>2 PLC</td><td>±</td><td>-</td></tr> <tr><td>3 PLC</td><td>±</td><td>-</td></tr> <tr><td>4 PLC</td><td>±</td><td>-</td></tr> <tr><td>ANGLES</td><td>±</td><td>-</td></tr> </table>		0 PLC	±	-	1 PLC	±	-	2 PLC	±	-	3 PLC	±	-	4 PLC	±	-	ANGLES	±	-	PRODUCT SPEC	FIBER OPTIC ODC LEAD 2 FOLD SOCKET - LC DUPLEX MULTI MODE 50/125	
0 PLC	±	-																				
1 PLC	±	-																				
2 PLC	±	-																				
3 PLC	±	-																				
4 PLC	±	-																				
ANGLES	±	-																				
MATERIAL		FINISH	WEIGHT	RESTRICTED TO																		
-		-	A2 00779	-																		
CUSTOME DRAWING		SCALE NTS	SHEET 1 of 1	REV C																		

ODC IS A TRADEMARK OF HUBER & SUHNER AG CORPORATION