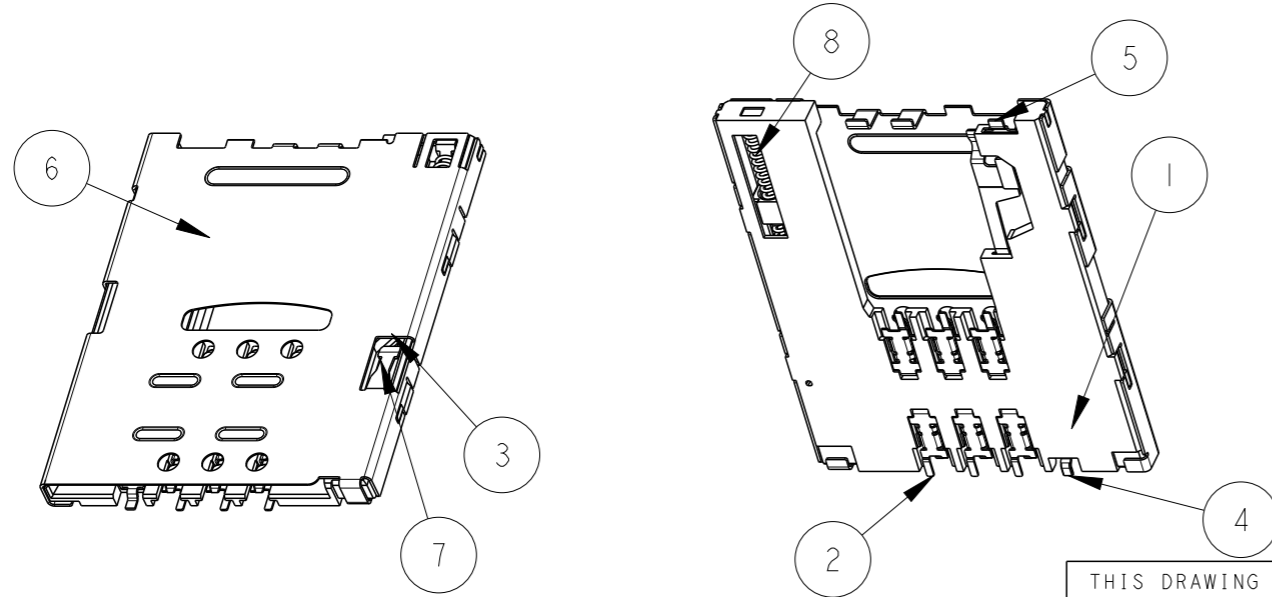
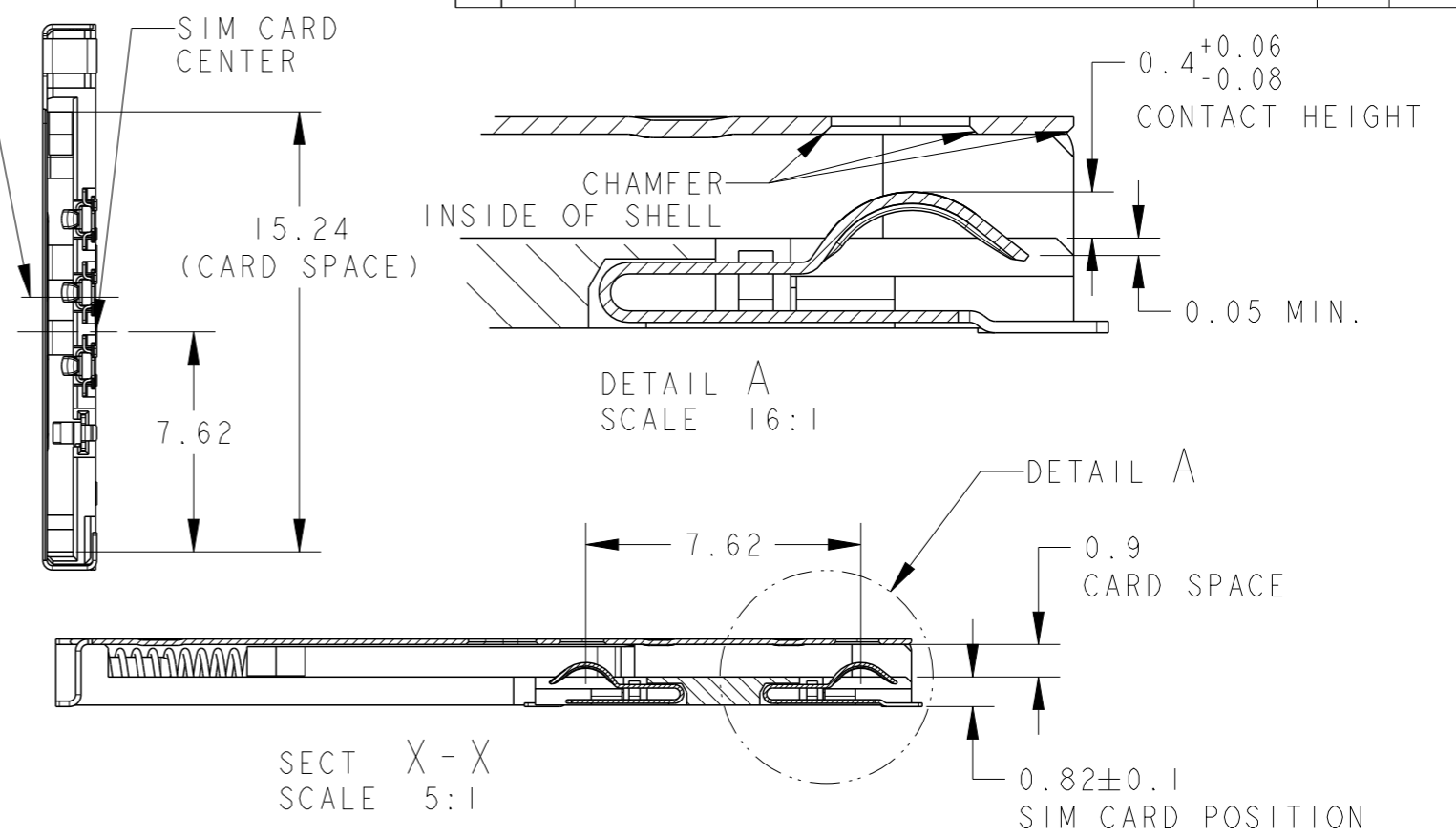
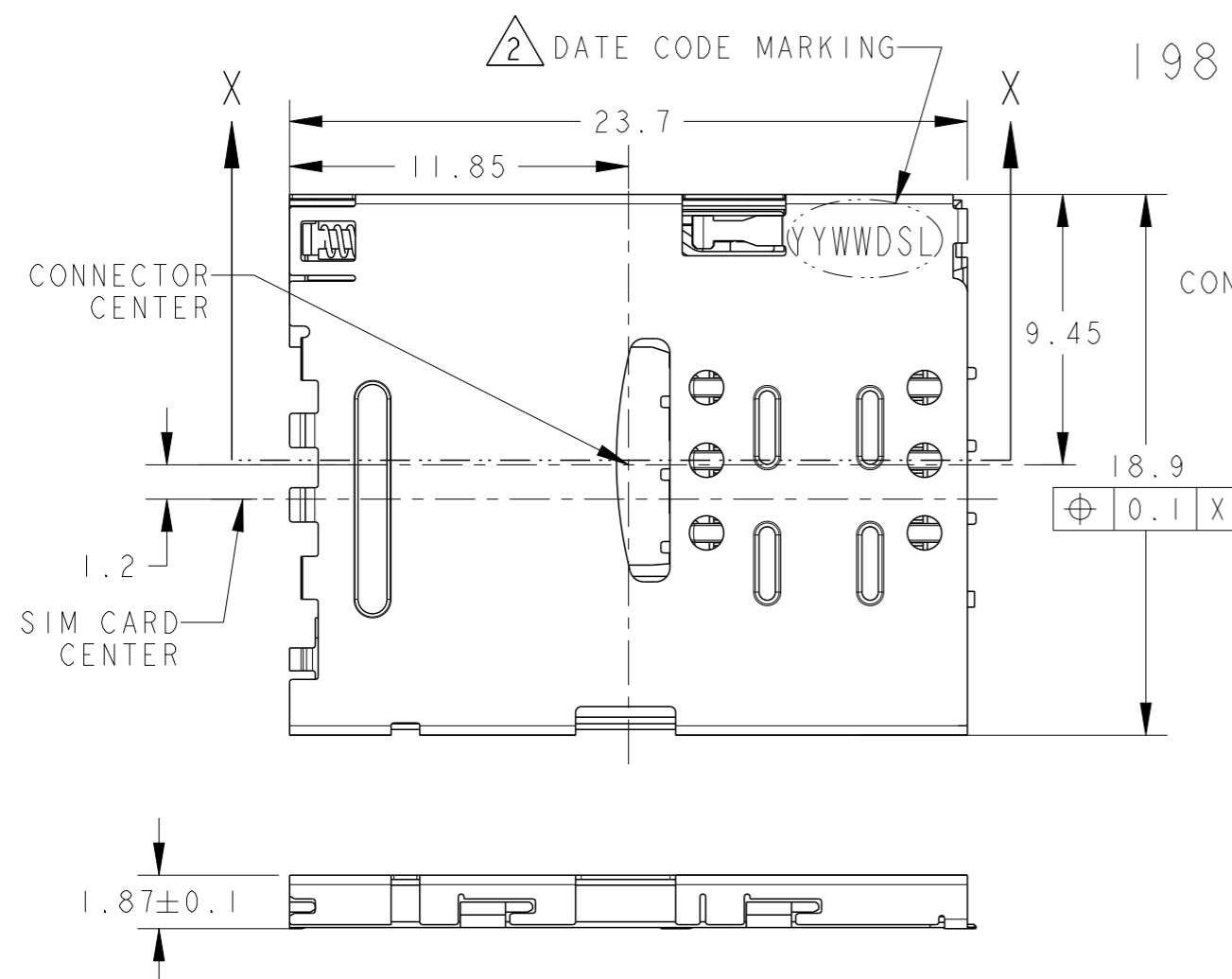


THIS DRAWING IS UNPUBLISHED. RELEASED FOR PUBLICATION 20071017
 © COPYRIGHT 2007 BY TYCO ELECTRONICS CORPORATION. ALL RIGHTS RESERVED.

REVISIONS				
P	LTR	DESCRIPTION	DATE	APVD
D1		REVISED	27MAR2020	N. U
D2		REVICED	12DEC2022	M. T

1981959-1; AS SHOWN



QTY	FINISH	MATERIAL	DESCRIPTION	ITEM
1	—	STEEL WIRE	COIL SPRING	8
1	—	STAINLESS	CAM ROD	7
1	ALL OVER Ni; 1um MIN SOLDERING AREA; MATTE TIN PLATING	COPPER ALLOY	SHELL	6
1	ALL OVER Ni; 1um MIN CONTACT AREA; Au 0.05um MIN SOLDERING AREA; TIN PLATING	COPPER ALLOY	SWITCH B	5
1	ALL OVER Ni; 1um MIN CONTACT AREA; Au 0.05um MIN SOLDERING AREA; TIN PLATING	COPPER ALLOY	SWITCH A	4
1	COLOR; BLACK	LCP	SLIDER	3
6	ALL OVER Ni; 1um MIN CONTACT AREA; Au 0.4um MIN SOLDERING AREA; Au 0.05um MIN	COPPER ALLOY	CONTACT	2
1	COLOR; BLACK	LCP	HOUSING	1

1. CONNECTOR INITIAL COPLANARITY; 0.1mmMAX.
 2. MARK DATE CODE

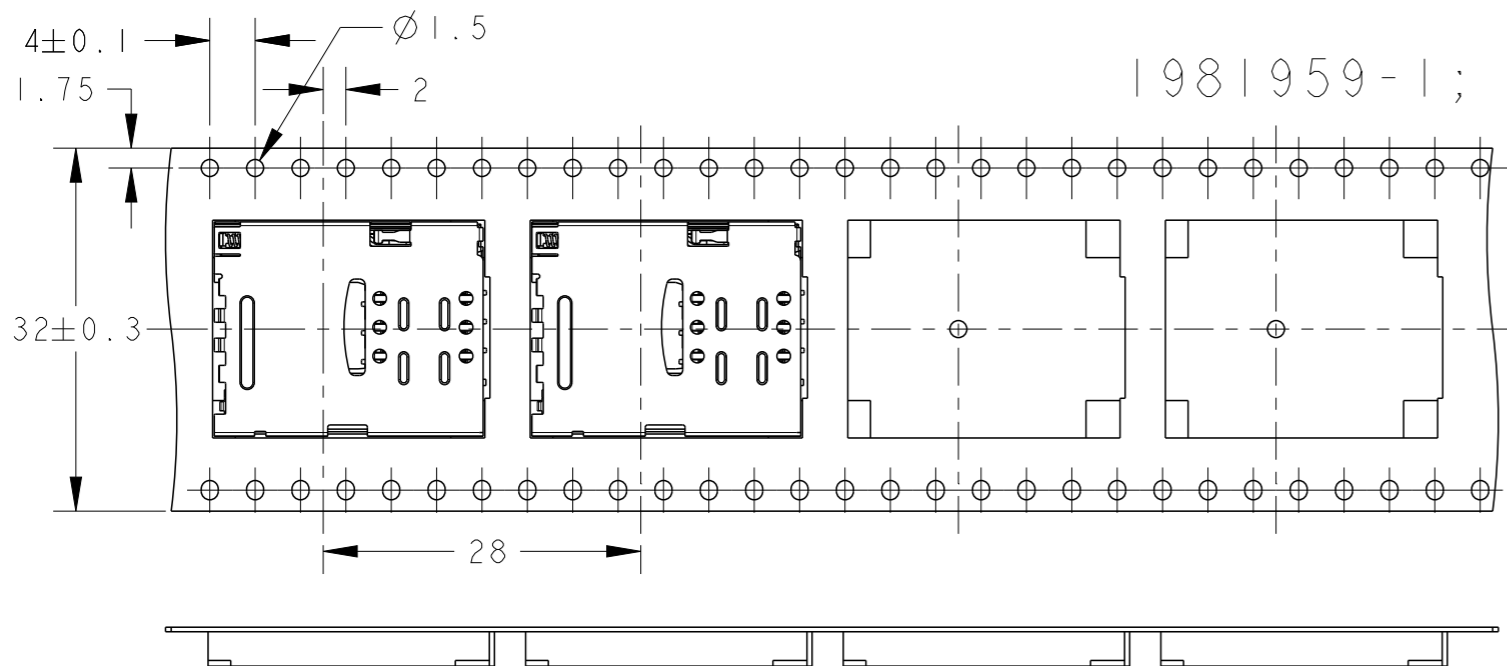
THIS DRAWING IS A CONTROLLED DOCUMENT.

DIMENSIONS: 単位: 耗 mm	TOLERANCES UNLESS OTHERWISE SPECIFIED: 一般公差 ±0.12 0 PLC ± 1 PLC ± 2 PLC ± 3 PLC ± 4 PLC ± ANGLES ±	DWN 02NOV2007 C. OHASHI CHK 02NOV2007 Y. NAKAZAWA APVD 08NOV2007 T. FUTATSUGI	NAME 名称
MATERIAL 材料 SEE TABLE	FINISH 仕上 SEE TABLE	PRODUCT SPEC 製品規格 108-78454	STE TE Connectivity
Customer Drawing		WEIGHT 1.2g	SIM CONNECTOR PUSH-PUSH TYPE HI.87 WITH SWITCH
		SIZE A3	CAGE CODE 00779
		DRAWING NO C-1981959	RESTRICTED TO -
		SCALE 尺度 4:1	SHEET 1 OF 5
			REV D2

REVISIONS

P	LTR	DESCRIPTION	DATE	DWN	APVD

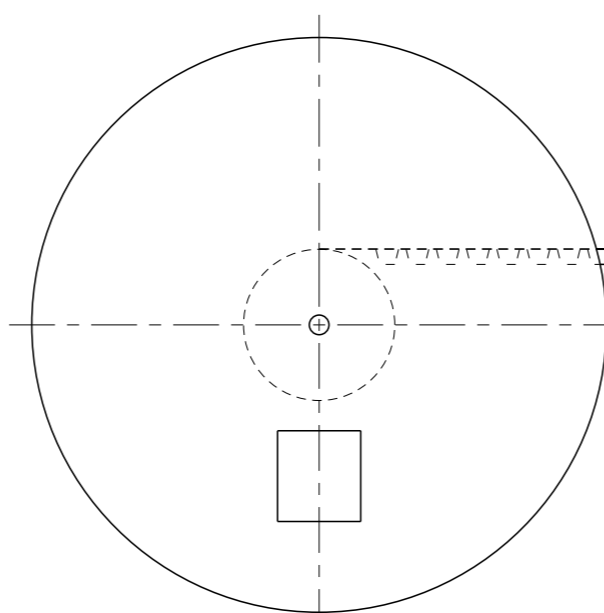
1981959-1; AS SHOWN



FRANGE CORE DIA
Ø100±1

Ø380±1
REEL DIA.

32.4⁺²₀
38.4 MAX
REEL WIDTH



300 REF
空部
WITHOUT CHARGE

300 REF
カバーテープリーダ部
WEEDING THE COVER TAPE

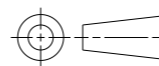
剥離角度165°~180°
PEELING ANGLE
剥離強度; 0.1~1.3N MAX(300mm/min)
PEELING STRENGTH

製品装填部
WITH PRODUCT CHARGE
800個/1リール
800EA/1REEL

空部 7~10穴
WITHOUT CHARGE
7~10HOLES

THIS DRAWING IS A CONTROLLED DOCUMENT.

DIMENSIONS:
単位: 耗
mm



MATERIAL
材料

TOLERANCES UNLESS
OTHERWISE SPECIFIED:

- 一般公差 ±0.2
- 0-PLC ±
- 1-PLC ±
- 2-PLC ±
- 3-PLC ±
- 4-PLC ±
- ANGLES ±
- FINISH 仕上

DWN
CHK
APVD
PRODUCT SPEC 製品規格
APPLICATION SPEC 取付適用規格
WEIGHT
Customer Drawing

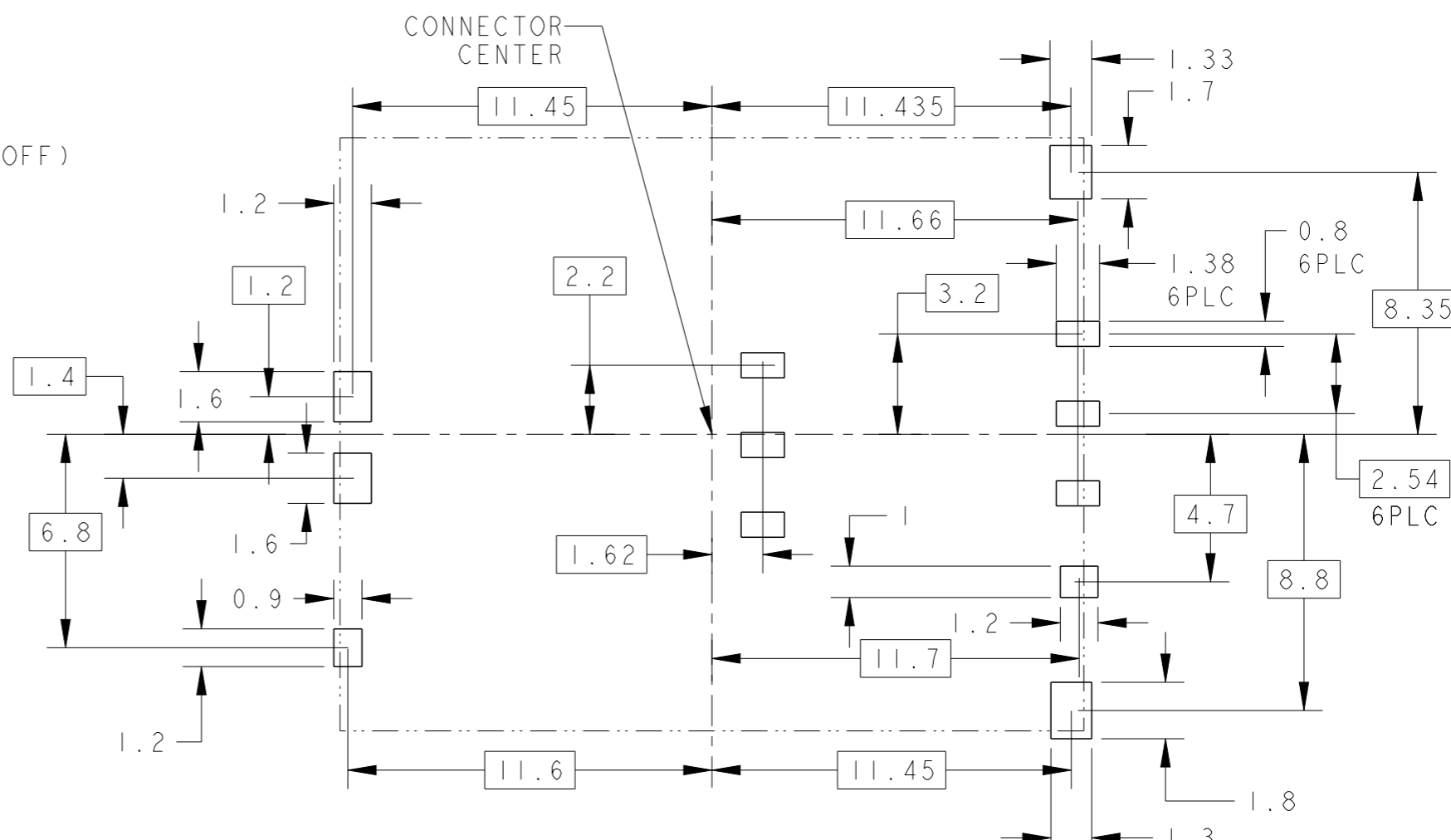
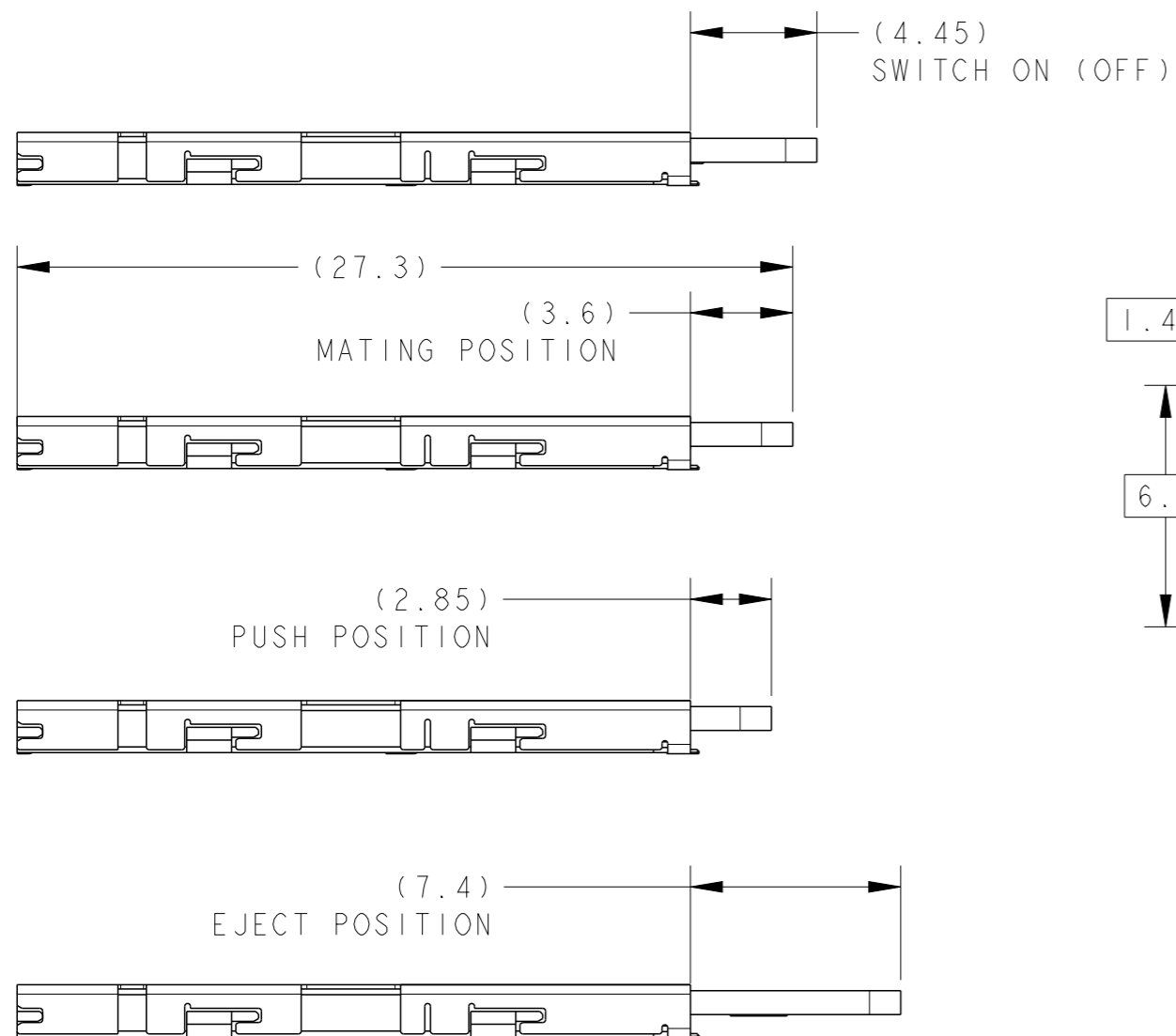


NAME 名称				SIM CONNECTOR PUSH-PUSH TYPE HI.87 WITH SWITCH	
SIZE	CAGE CODE	DRAWING NO 番号	RESTRICTED TO		
A3	00779	C-1981959	-		
SCALE 尺度		SHEET		OF	REV
4:1		2		5	D2

P	LTR	DESCRIPTION	DATE	DWN	APVD

ONLY FOR ENGINEERING EVALUATION

CARD POSITION



REFERENCE PCB LAYOUT
GENERAL TOLERANCE: ±0.05mm
SCALE 5:1

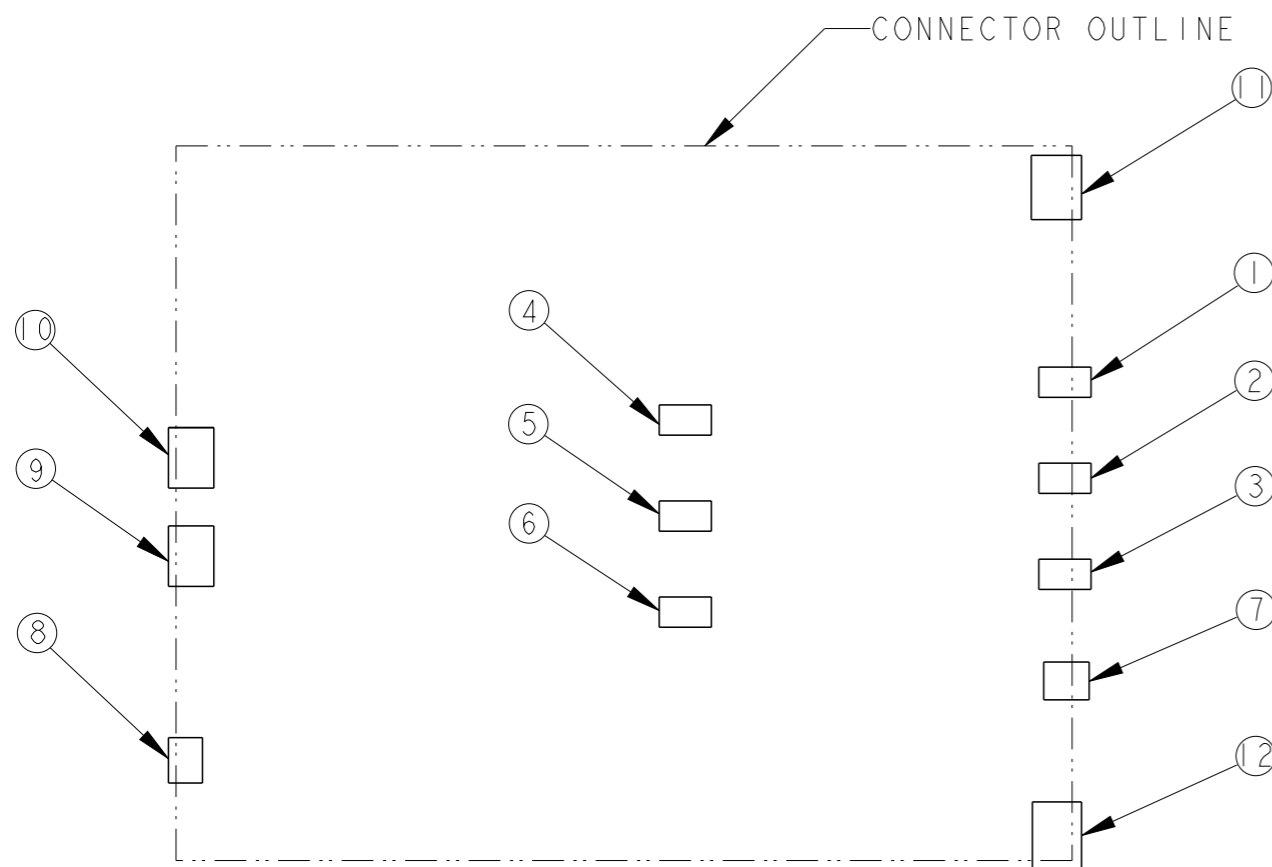
- 1 THIS CONNECTOR DOES NOT HAVE LOCK
- 2 RECOMMENDED SOLDERING THICKNESS; 100μm MIN.
RECOMMENDED SOLDERING AREA: 100% OF REFERENCE LAYOUT PATTERN.

THIS DRAWING IS A CONTROLLED DOCUMENT.		DWN			TE Connectivity
		CHK			
DIMENSIONS: 単位: 概 mm		APVD	NAME 名称		
TOLERANCES UNLESS OTHERWISE SPECIFIED: 一般公差 ±0.12		PRODUCT SPEC 製品規格	SIM CONNECTOR PUSH-PUSH TYPE HI.87 WITH SWITCH		
0 PLC ± 1 PLC ± 2 PLC ± 3 PLC ± 4 PLC ± ANGLES ±		APPLICATION SPEC 取付適用規格	SIZE	CAGE CODE	DRAWING NO 番号
MATERIAL 材料		FINISH 仕上	A3	00779	G-1981959
		WEIGHT	RESTRICTED TO		
		Customer Drawing	SCALE 尺度	SHEET 3	OF 5
			REV	D2	

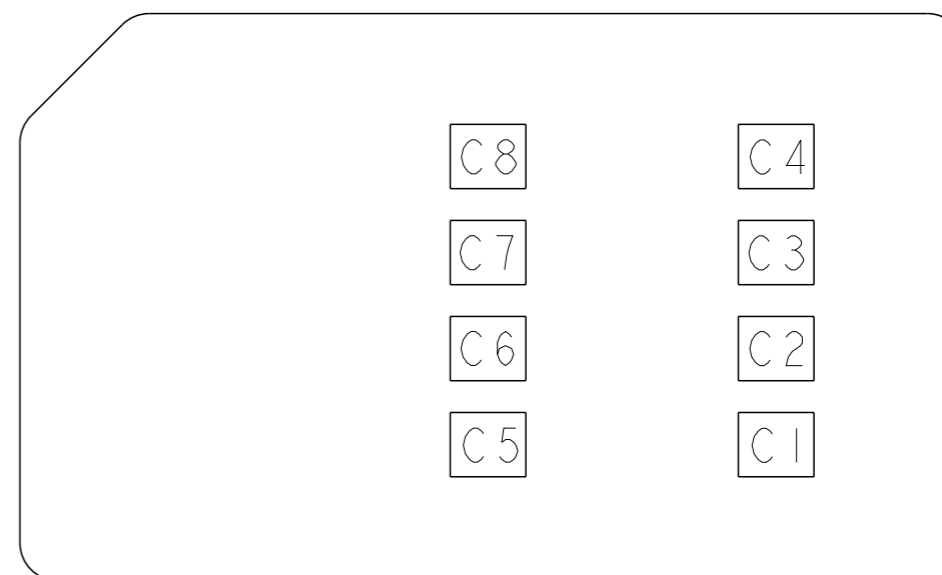
REVISIONS

P	LTR	DESCRIPTION	DATE	DWN	APVD

ONLY FOR ENGINEERING EVALUATION



PCB LAYOUT (REFERENCE)
(VIEWED FROM CONNECTOR MOUNT SIDE)



SIM CARD PAD LAYOUT

SIM CARD PIN ASSIGNMENT

PIN NO.	NAME
C1	Vcc
C2	RST
C3	CLK
C4	RESERVED
C5	GND
C6	Vpp
C7	I/O
C8	RESERVED

CONNECTOR PIN ASSIGNMENT		
NO.	PIN NAME	DESCRIPTION
①	C1	Vcc OF SIM
②	C2	RST OF SIM
③	C3	CLK OF SIM
④	C5	GND OF SIM
⑤	C6	Vpp OF SIM
⑥	C7	I/O OF SIM
⑦	SWA	DETECT SWITCH
⑧	SWB	DETECT SWITCH
⑨ ~ ⑫	GND	SHELL GROUND

THIS DRAWING IS A CONTROLLED DOCUMENT.		DWN	TE Connectivity			
DIMENSIONS: 單位: 耗 mm		CHK				
		APVD	NAME 名称			
TOLERANCES UNLESS OTHERWISE SPECIFIED: 一般公差 ±0.12 0-PLC ± 1-PLC ± 2-PLC ± 3-PLC ± 4-PLC ± ANGLES ±		PRODUCT SPEC 製品規格	SIM CONNECTOR PUSH-PUSH TYPE HI.87 WITH SWITCH			
MATERIAL 材料		APPLICATION SPEC 取付適用規格	SIZE	CAGE CODE	DRAWING NO 番号	RESTRICTED TO
FINISH 仕上		WEIGHT	A3	00779	C-1981959	-
Customer Drawing			SCALE 尺度	SHEET 張	REV	
			5:1	4 OF 5	D2	

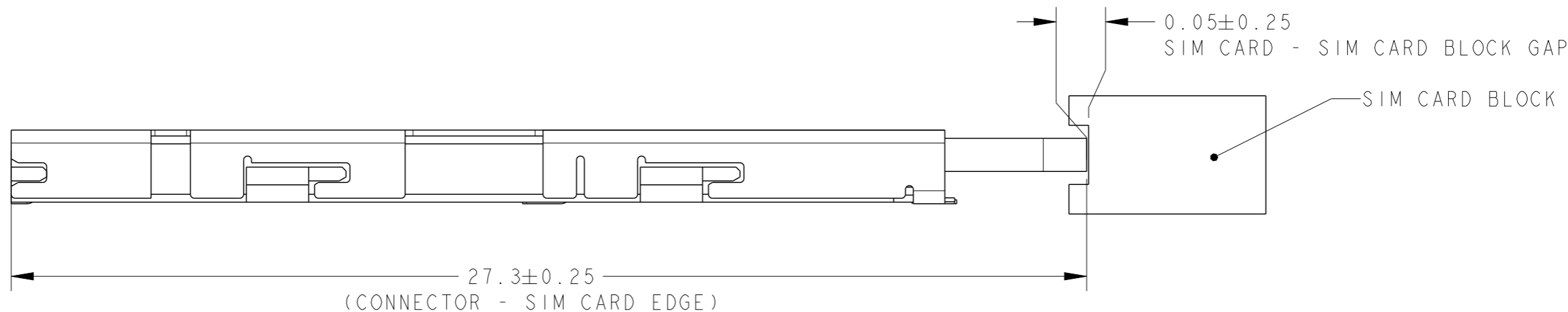
REVISIONS

変更

P	LTR	DESCRIPTION	DATE	DWN	APVD

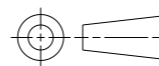
FOR ENGINEERING EVALUATION

*THERE IS NO SIM CARD LOCK IN THIS CONNECTOR.
PLEASE HOLD THE CARD EDGE AS SHOWN IN THE FIGURE BELOW AT TIME OF USE.



THIS DRAWING IS A CONTROLLED DOCUMENT.

DIMENSIONS:
単位: 耗
mm



MATERIAL
材料

TOLERANCES UNLESS OTHERWISE SPECIFIED:
一般公差 ±0.25

- 0 PLC ±
- 1 PLC ±
- 2 PLC ±
- 3 PLC ±
- 4 PLC ±
- ANGLES ±
- FINISH 仕上

DWN
CHK
APVD
PRODUCT SPEC 製品規格
APPLICATION SPEC 取付適用規格
WEIGHT
Customer Drawing



NAME 名称				SIM CONNECTOR PUSH-PUSH TYPE HI.87 WITH SWITCH	
SIZE	CAGE CODE	DRAWING NO 番号	RESTRICTED TO		
A3	00779	G-1981959	-		
SCALE 尺度		8:1	SHEET	5 OF 5	REV D2