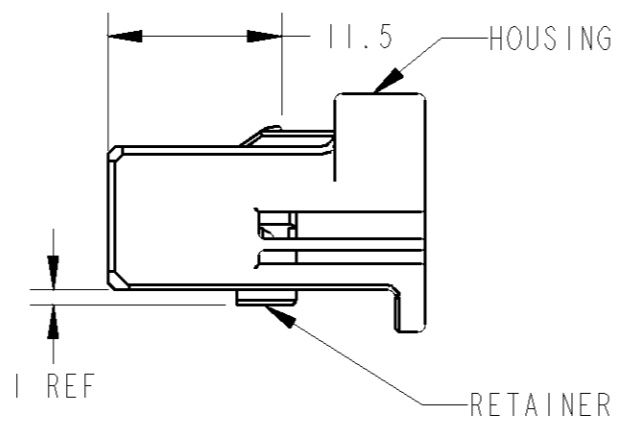
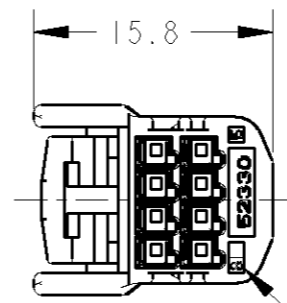
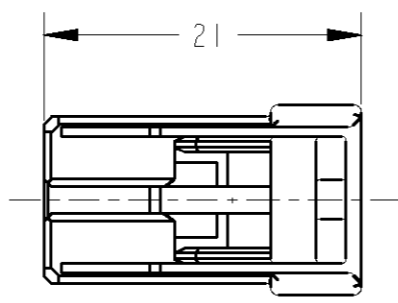
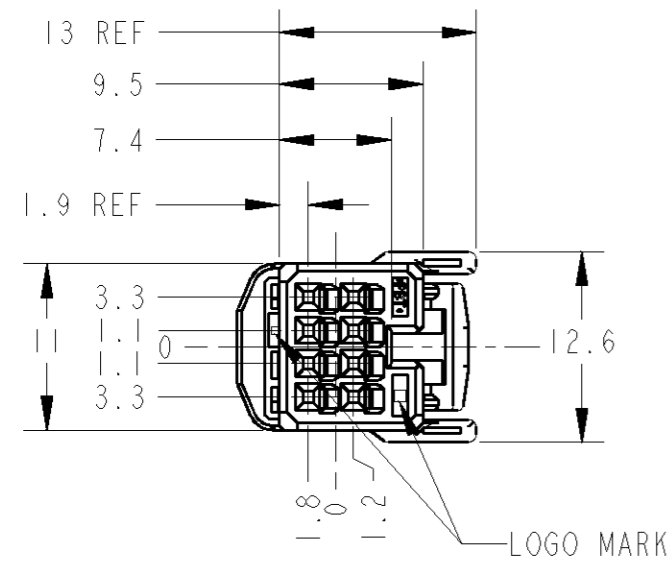


THIS DRAWING IS UNPUBLISHED. RELEASED FOR PUBLICATION 20
 © COPYRIGHT 20 BY TYCO ELECTRONICS CORPORATION. ALL RIGHTS RESERVED.

LOC	DIST	REVISIONS					
		P	LTR	DESCRIPTION	DATE	DWN	APVD
J	-		A	RELEASED	26DEC07	KF	HY
			B	REVISED ECR-10-007503	30APR10	TS	KB



1. プラグハウジングにリテーナを仮係止して出荷される
2. 取扱説明書No. 411-78080
3. 嵌合相手型番; TABLE-1参照
4. 適用端子: TABLE-2 参照

1. RETAINER SHOULD BE SENT TO THE PRE-ASSEMBLY.
2. INSTRUCTION SHEET NO.411-78080.
3. PART NUMBER OF CAP HOUSING TO BE MATED:SEE TABLE-1
4. APPLIED TERMINALS:SEE TABLE-2

TABLE-1

POS 極数	CAP ASSEMBLY PART NO. キャップ 型番	TE PART NO
8	1981469	

TABLE-2

	TERMINAL NO. 端子型番	APPLICABLE WIRE RANGE 適用電線
SIGNAL 0.64 III	TIN	1674311-1 AVSS/CAVS/CAVUS/AVSSH-f 0.3~0.5mm ²
	SELECTIVE GOLD	1674936-1 CAVS/CAVUS/CHFUS 0.22mm ²
SIGNAL 0.64 III	TIN	1674311-2 AVSS/CAVS/CAVUS/AVSSH-f 0.3~0.5mm ²
	SELECTIVE GOLD	1674936-2 CAVS/CAVUS/CHFUS 0.22mm ²

PACKING STYLE 梱包形態	COLOR	PART NUMBER
PAPER BOX ダンボール	GRAY	1981471-1
PLASTIC BAG ビニール袋		
OUTER 外装		
INNER 内装		

THIS DRAWING IS A CONTROLLED DOCUMENT FOR TYCO ELECTRONICS CORPORATION
 IT IS SUBJECT TO CHANGE AND THE CONTROLLING ENGINEERING ORGANIZATION
 SHOULD BE CONTACTED FOR THE LATEST REVISION.

DIMENSIONS: 単位: 概 mm	TOLERANCES UNLESS OTHERWISE SPECIFIED: 一般公差 ±0.3 0-PLC ± 1-PLC ±0.1 2-PLC ±0.01 3-PLC ±0.001 4-PLC ±0.0001 ANGLES ±3'00"	DWN K. FURUYAMA 26DEC07	Tyco Electronics Corporation Kawasaki, Japan
	MATERIAL 材料 PBT FINISH 仕上 SEE TABLE	CHK S. AMEMIYA 26DEC07	
		APVD H. YAMAGAMI 26DEC07	
		PRODUCT SPEC 製品規格 108-5931	
APPLICATION SPEC 取付適用規格 114-5329		NAME 名称 0.64 III 8P PLUG HOUSING ASSEMBLY	RESTRICTED TO -
WEIGHT 1.7g		SIZE A3	CAGE CODE 00779
CUSTOMER DRAWING		DRAWING NO C=1981471	SCALE 尺度 2:1
		SHEET 1	OF 1
		REV B	